



NYELXTEU

NEW YORK CITY COMPLIANT EDGELIT ALUMINUM EXIT SIGN

EXIT

STANDARD



OPTIONAL



ILLUMINATION

- Ultra bright, energy efficient, long life Red LEDs.
- UV-stabilized ultra-clear acrylic edgelit panel provides consistent, uniform illumination.
- Double face utilizes factory installed silver or white mylar background panel.
- New York City compliant 8" EXIT letters.

ELECTRICAL

- Dual 120/277 voltage standard.
- Charge rate/power "ON" LED indicator light and push-to-test switch for mandated code compliance testing.
- 4.8V long life, maintenance-free, rechargeable NiCd battery (EM models only).
- Internal solid-state transfer switch automatically connects the internal battery to LED board for minimum 90-minute emergency illumination.
- Fully automatic solid-state, two rate charger initiates battery charging to recharge a discharged battery in 24 hours.

MOUNTING

- Aluminum mounting canopy included for top, end or back mount. Available in optional black or white powder-coated finishes.

HOUSING

- Premium-grade, extruded aluminum housing (also available in black or white powder-coated finishes).
- Self-adhesive Chevron appliques and guide template provided for directional indication.

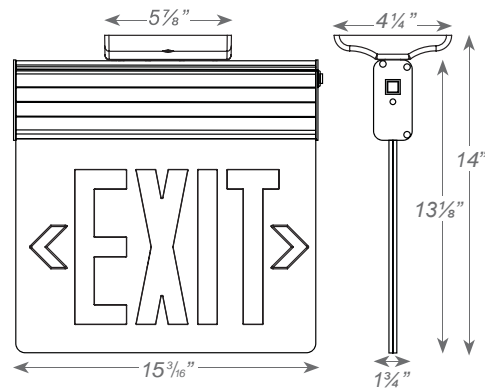
OPTIONS

- SDT: Self-diagnostic feature performs monthly, biannual, and annual tests to ensure reliable operation and meets electrical and life safety codes.
- SPV: UL Listed for 208/220/240 Volt, 50/60Hz.

WARRANTY / LISTING

- Five year warranty on all electronics and housing. Battery prorated for five years.
- Meets UL924, NFPA 101 Life Safety Code, NEC, OSHA, Local and State Codes.
- UL Listed for damp locations (0°C – 50°C).
- Certified to CEC under Title 20 Regulations.

DIMENSIONS



NYELXTEU

ORDERING INFORMATION

Sample Part Number: NYELXTEU1RCAEM

MODEL	No. of FACES	LETTER COLOR	PANEL	HOUSING COLOR	BATTERY	OPTIONS	
NYELXTEU	1	Single Face	R Red	C Clear ¹	W White	(blank) AC-Only	SDT Self-Diagnostics ²
	2	Double Face		M Mirror	B Black	EM Battery Backup	SPV 208/220/240 Volt, 50/60Hz ³
				W White	A Aluminum		

¹ With single face only.

² Available only with EM units.

³ Not available with SDT.