

# FEATURES

## INTENDED USE

Ideal for exit sign applications requiring attractive die-cast finish with flush recessed mounting.

## CONSTRUCTION

Precision-molded, die-cast aluminum construction—recessed housing. Fine-grain brushed aluminum faceplate with matte black electrostatic polymeric trim. Clear lacquer finish on brushed face inhibits fingerprints and other surface contaminants.

Fully overlapping light seal prevents light leaks. Universal directional chevron knockouts are completely concealed and easily removed.

Hinged faceplate and spring latches for easy lamp compartment access.

Letters 6" high with 3/4" stroke **U.S. Patent No. 5,954,423.**

## LAMPS

Lamp is constructed using new LED technology. Provides perfectly uniform illumination to meet 3/4" letter stroke required by code.

LED life exceeds 25 years, based on continuous operation.

Low energy consumption – red lamp consumes .81 watts (120V); green lamp consumes one watt (120V).

Tru-Green™ LED appearance.

## INSTALLATION

Mounts recessed into wall opening 8-3/4"H x 12-3/8"W x 1-3/4"D, using concealed trim ring brackets (provided). Recessed mounting box available, but not required for mounting. FI and X2 options require 3-gang switchbox (not provided).

Trim ring has 3/4" depth adjustment to ensure flush fit against surface. Protrudes only 1/10" from the wall. No exposed mounting hardware.

## LISTING

UL listed. Meets UL 924, NFPA 101 (current Life Safety Code), NEC and OSHA illumination standards, and state of Minnesota energy-efficient legislation requiring less than 20W consumption. Listed and labeled to comply with Canadian Standards C-860 and C-22.2 No.9 (see options). Meets Energy Star standards.

## WARRANTY

Three-year total customer satisfaction warranty on exit, including lamps. For details, see the Product Selection Guide.

## Die-Cast Aluminum Exits

# LRE

LED LAMPS RECESSED



# ORDERING INFORMATION

Example: **LRE S 1 R 120/277 VR**

Choose the boldface catalog nomenclature that best suits your needs and write it on the appropriate line. Order accessories as separate catalog number.

LRE		1				Options	
Family	Face type	Housing color	Number of faces	Letter color	Input voltage <sup>3</sup>		
LRE LED recessed	S Stencil P Panel <sup>1</sup>	(blank) Matte black, brushed aluminum face  BZ Dark bronze  W White  B Matte black	1 Single face	R Red G Green <sup>2</sup>	120/277 Dual voltage <sup>2</sup> 277 277V <sup>4</sup> 120/347 Dual voltage <sup>4</sup>	<b>TP</b> Two tamperproof T20 Torx-head screws <b>VR</b> Vandal-resistant shield (1/8" thick polycarbonate) <b>FI</b> Fire alarm flashing interface <sup>2, 8, 9</sup> <b>X2</b> Provides inputs for two AC sources <sup>2, 5, 6, 8, 9</sup> <b>DL</b> UL listed for damp locations <b>LDC6</b> 6V DC input for LED lamp <sup>4</sup> <b>LDC12/48</b> 12V – 48V DC input for LED lamp <sup>4</sup> <b>CSA</b> Listed and labeled to comply with Canadian standards <b>DC6</b> 6V DC lamps and sockets <sup>2, 6</sup> <b>DC12</b> 12V DC lamps and sockets <sup>2, 6</sup> <b>DC24</b> 24V DC lamps and sockets <sup>2, 6</sup> <b>DC48</b> 48V DC lamps and sockets <sup>2, 6</sup>	
<b>Accessories</b>							
Order as separate item.							
<b>ELA ERK</b>	Recessed mounting rough-in kit <sup>7</sup>						
<b>ELA FAIR</b>	Fire alarm flashing interface (field-installable)						

- NOTES:
- 1 Panel face available for special wording only.
  - 2 Not available with CSA option.
  - 3 Some special voltages available. Consult factory.
  - 4 Only available with CSA option.
  - 5 Must specify input voltage (120V or 277V).
  - 6 UL listed as emergency lighting equipment.
  - 7 Order ELA ERK only if rough-in kit is required prior to exit installation.
  - 8 Choice of X2 or FI. Not available with both.
  - 9 X2 and FI options are mounted in 3-gang switchbox (not provided).

# LRE Recessed LED, Signature

## SPECIFICATIONS

### ELECTRICAL

#### Primary Circuit

Type	Rated LED life*	Supply voltage	No. of faces	Input watts	Max. amps
Red	25+ years	120	1 or 2	.81	.05
Red	25+ years	277/347	1 or 2	1.2	.06
Tru-Green	25+ years	120	1 or 2	1.05	.05
Tru-Green	25+ years	277	1 or 2	1.32	.06

\* Based on continuous operation.

#### Supplemental Emergency Circuit

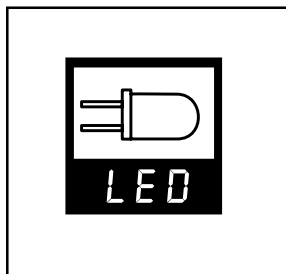
Type	No. of faces	Nominal lamp voltage	Electrical Input	
			watts	amps
DC6	1 or 2	6	12	2
DC12	1 or 2	12	12	1
DC24	1 or 2	24	12	.5
DC48	1 or 2	48	12	.25
LDC6	1 or 2	6	1.2	.20
LDC12/48	1 or 2	12	1.5	.12
LDC12/48	1 or 2	24	1.5	.06
LDC12/48	1 or 2	32	1.5	.05
LDC12/48	1 or 2	48	1.6	.04

## SPECIAL WORDING



- Panel opening measures 7-5/8"x6-3/8" (see example above).
- Panel background color is black for brushed aluminum housing, black for black housing or white for white housing.
- If picture or foreign language required, send a reproduction of the image to Lithonia.
- Consult factory for additional ordering information.

## KEY FEATURES



Unique LED lamp provides extremely long life and low energy consumption.

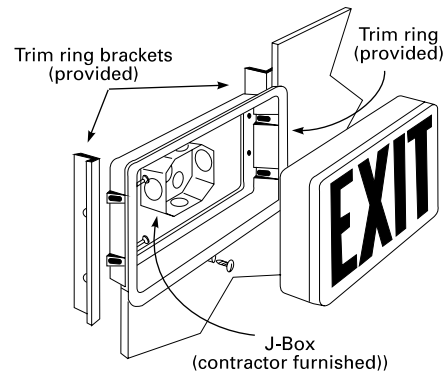
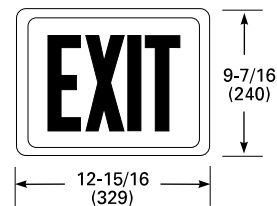


Listed and labeled to comply with Canadian Standard C-860.

## MOUNTING

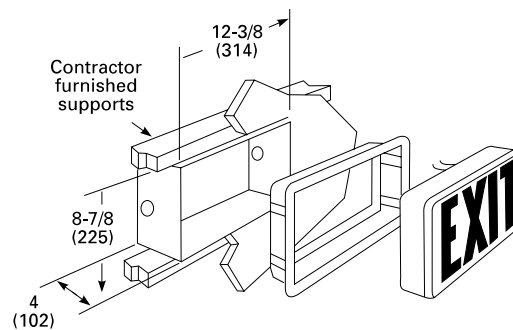
All dimensions are inches (millimeters). Shipping weight: 10 lbs. (4.5 kgs.)

### STANDARD MOUNTING



Wall opening dimensions: 8-3/4" H x 12-3/8" W x 1-3/4" D

### MOUNTING WITH OPTIONAL ROUGH-IN KIT (ELA ERK)



Wall opening dimensions: 8-7/8" H x 12-3/8" W x 4" D