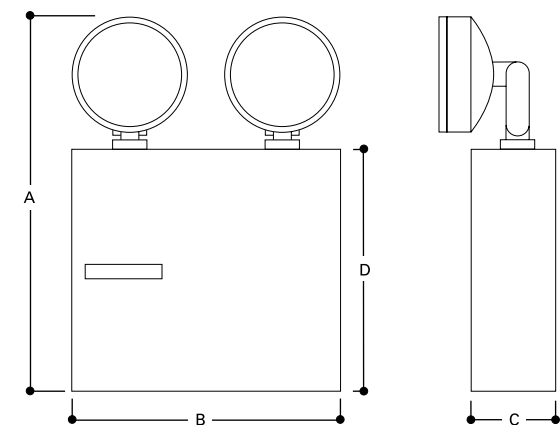


## DIMENSIONS



z	A	B	C	D
6AC27	13 3/4" (349mm)	10" (254mm)	3 1/8" (79mm)	9" (229mm)
6AC54	13 3/4" (349mm)	13" (330mm)	3 1/8" (79mm)	9" (229mm)
6AC100	13 3/4" (349mm)	13" (330mm)	4 5/8" (118mm)	9" (229mm)
12AC54	13 3/4" (349mm)	13" (330mm)	3 1/8" (79mm)	9" (229mm)
12AC100	13 3/4" (349mm)	13" (330mm)	4 5/8" (118mm)	9" (229mm)
6ACNY1	13 3/4" (349mm)	10" (254mm)	3 1/8" (79mm)	9" (229mm)
12ACNY2	13 3/4" (349mm)	10" (254mm)	3 1/8" (79mm)	9" (229mm)

## ORDERING INFORMATION

Catalog No.	Capacity in Watts (Hours)				DC Voltage	Watts per Head	Replacement Lamp	Ship Wt.
	1.5	2	3	4				
6AC27	27	22	18		6	9	6RW9	13
6AC54	54	44	36		6	9	6RW9	19
6AC100	100	75	50	45	6	9	6RW9	22
12AC54	54	44	36		12	18	12RW9	19
12AC100	100	75	50	45	12	18	12RW9	22
6ACNY1	27	22	18		6	9	6RW9	13
12ACNY2	27	22	18		12	9	6RW9	13

### OPTIONS: Add to Catalog No.

Description	Code
No heads	0
One head	1
Three heads	3
Voltmeter <sup>(1)</sup>	V
Ammeter <sup>(1)</sup>	A
Time Delay	TD
Non standard voltages (consult factory)	
Laser Option Installed	L*
Laser Option installed with pointer supplies	LP*
New York City approved	NY

<sup>(1)</sup> Units may **not** be equipped with a voltmeter and ammeter at the same time.

\* See page 40 for time-delay selection.

Note: N.Y.B.S.A. Calendar (approval) #34013

### HALOGEN LAMP OPTIONS:

Unit	Watt Lamp only	Replacement Lamp No.
6 Volt (all units)	12	6 HB 12
12 Volt (all units)	12	12 HB 12

Note: When using halogen lamps, total connected lamp load must be at least 80% of 90 min. rating, or premature lamp failure may occur.

## DESCRIPTION

The A Commercial Series is an efficient, rugged, commercial grade product designed for the demands of emergency lighting applications. Available in both 6V and 12V models, in a standard white powder coat finish that blends in anywhere. Many options allow customization to fit your specific needs.



## ACOMMERCIAL

### Steel Emergency Unit Incandescent Lamps

## EMERGENCY LIGHTING

- Dual 120/277 VAC 60Hz input
- Solid state charging and transfer circuitry (no relays are used)
- Two step charger, temperature compensated
- Brownout protected
- Line latched transfer circuit, output is electronically short circuit and overload protected
- Low voltage disconnect
- Meets or exceeds all current UL requirements and applicable sections of the Life Safety Code
- Standard finish, white powder coat, housing fabricated with 20 gauge cold rolled steel
- Universal mounting KO's provided
- Battery: Sealed maintenance-free long life lead calcium
- Local 3 IBEW
- Available in black