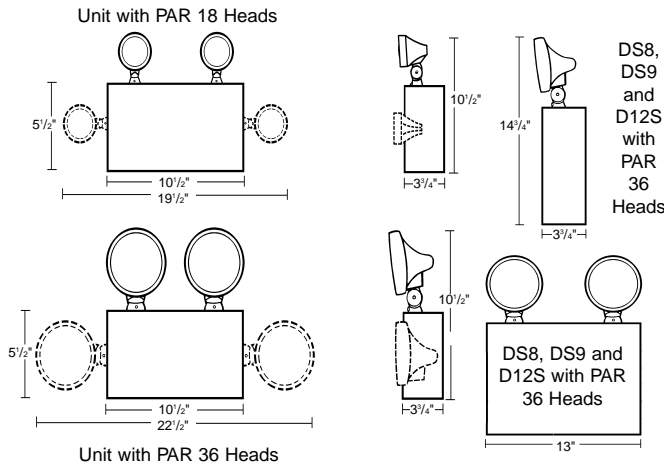




## Decorative Style Equipment 6 Volt & 12 Volt Maintenance-Free Lead Calcium Battery



**Black Housing Available**

**MODEL 2DM6/L9-M**



Dimensions are approximate and subject to change.

### application

Compact, economical unit, contemporary design. Ideal for limited space and ease of installation. Excellent choice for public and commercial facilities with moderate unit load requirements.

### features

- **HOUSING:** Injection molded from high impact, scratch and corrosion resistant thermoplastic in an architecturally attractive mist white color.
- **MOUNTING:** Independent backplate has universal mounting holes and slots.
- **ELECTRONICS:**
  - Automatic, temperature compensated, pulse type charger.
  - High capacity, automatic, dust tight instantaneous transfer relay.
  - Low voltage disconnect prevents overdischarge of battery. Automatic brown out protection is provided.
  - Labor saving AC line latch prevents battery discharge during installation to a non-energized circuit.
- **CONTROLS:**
  - Red charge monitor LED indicates state of charge of the battery.
  - Momentary test switch allows for quick operational check of entire system.
- **POWER REQUIREMENTS:**  
120/277 Volt AC., 0.3A

### battery

6 or 12 volt long life, maintenance-free sealed lead calcium.

### lamp heads

Thermoplastic heads can be top or side mounted (on DS3, 6, 7 only) and easily moved to either location by contractor without re-wiring.

**DM MODELS:** PAR 18 size Heads.  
2DM3 has 6 watt high intensity incandescent lamp. 2DM6, 7, 8, 9, 12 have 9 watt high intensity incandescent lamps.

**DS MODELS:** PAR 36 size Heads.  
2DS3 has 6 watt high intensity incandescent lamps. 2DS6, 7, 8, 9, 12 has 9 watt high intensity incandescent lamps.

**Note:** Tungsten halogen lamps optional.

### options

(Add Suffix to Model No.)      Suffix

Black Housing & Heads . . . . .-B

Self Diagnostics . . . . .-SD

Voltmeter (not available with diagnostics) . .-V

Time Delay . . . . .-TD

### accessories

(Order as separate item)      Model

3-wire Cord & Plug . . . . .3CP

3-wire Cord & Plug (277V) . . . . .3CP-277

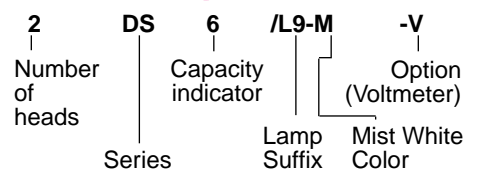
Guard (Top Mounted Heads) . . . . .WG1

Guard (Side Mounted Par 18 Heads)WG10

Guard (Side Mounted Par 36 Heads) WG4

**Note:** Certain option combinations may effect the UL listing. Please contact the factory for specifics.

### ordering format



### unit selection chart:

Volts	Model No.* (unit/Lamp Suffix)	Capacity in Watts to 87 1/2 % of Nominal Battery Voltage		Standard Lamps		
		1 1/2 Hrs.	2 Hrs.	Watts/Head	Type	Lamp Rplc. No.
6	2DS3/L5-M	12	8	6	Incand.	570.0012
	2DS6/L9-M	18	12	9	Incand.	570.0016
	2DS7/L9-M	27	21	9	Incand.	570.0016
	+ 2DS8/L9-M	36	24	9	Incand.	570.0016
	+ 2DS9/L9-M	54	41	9	Incand.	570.0016
12	+2D12S9/L9-M	54	41	9	Incand.	570.0025

\*Substitute "M" for "S" for mini head (PAR 18 size heads)  
+ Utilize Large "A" Cabinet