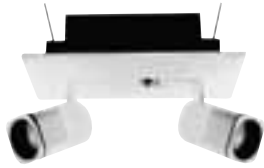


COOPER LIGHTING - SURE-LITES®



RD SERIES

Two Injection Molded Thermoplastic Heads



RLM SERIES

Two High-Impact Thermoplastic Heads

Recessed Housing
Emergency Light

EMERGENCY LIGHTING

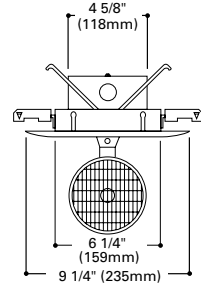
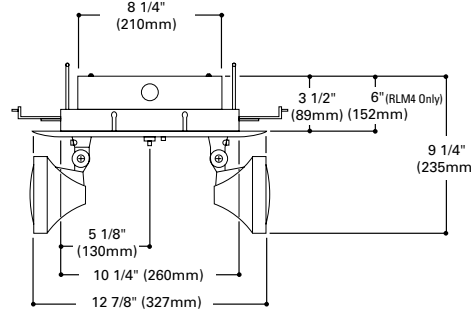
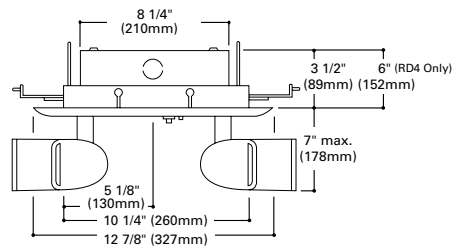
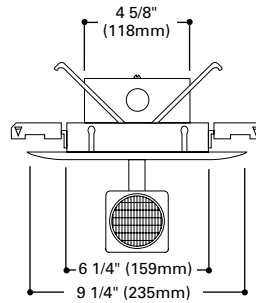
- Dual-voltage input 120/277VAC, 60Hz
- Line-latching, Solid-State voltage limited charger, Solid-State switching, low-voltage disconnect, brownout circuit, overload/short-circuit protection, test switch/power indicator light
- 20 gauge die-formed steel housing
- Knockout, conduit or cord set
- Supplied with hanger bars, T-Bar clips
- Single modular electrical connector
- Heads match housing finish
- Remote capability
- UL 924 Listed, Life Safety NFPA 101, NEC/OSHA, most state and local codes

DESCRIPTION

The RD Series is a recessed emergency lighting system designed for locations where unobtrusive aesthetics are of utmost importance. The housing is fully recessed in dry wall or grid ceiling installations. Designer pinchback heads rotate 358° and swivel 90° to 0°. Ideal for commercial and institutional environments where easy recessed installation and minimal maintenance are desired.

The RLM Series is a full 6 volt recessed system packaged in an attractive flame-resistant metal housing. It is the unit of choice for installations where a recessed product is desired and the size and cost of emergency lighting must be kept to a minimum without sacrificing dependability or light output.

DIMENSIONS



ELECTRICAL RATINGS

Model	Battery	Rated Wattage DC Voltage	Rated Wattage to 87 1/2% of rated D.C. Voltage				Lamp Information Type	Wattage	Number
			1 1/2 hours	2 hours	3 hours	4 hours			
RD1	SLC	6	18	15	10	8	Tungsten Halogen	6	29-12
RD3	SLC	6	27	24	18	14	Tungsten Halogen	12	29-66
RD4	SLC	12	54	-	-	-	Incandescent	9	029-86
RD6	SNC	6	15	12	8	6	Tungsten Halogen	6	29-12
RD7	SNC	6	24	18	12	10	Tungsten Halogen	12	29-66
RLM1	SLC	6	10.8	7.2	-	-	Incandescent	5.4	29-121
RLM2	SLC	6	18	15	10	8	Incandescent	9	29-84
RLM3	SLC	6	27	24	18	14	Incandescent	9	29-84
RLM4	SLC	12	54	-	-	-	Tungsten Halogen	12	029-45
RLM8	SNC	6	15	12	8	-	Incandescent	7.2	29-88
RLM9	SNC	6	24	18	12	10	Incandescent	7.2	29-88

SLC=Sealed Lead Calcium Battery
SNC=Sealed Nickel Cadmium Battery

ORDERING INFORMATION

SAMPLE NUMBER: RD1V

Model Number	Options (Add as suffix) A=Ammeter ⁽²⁾ SD=Self-Diagnostics TDM=Time Delay Monitor V=Voltmeter ⁽²⁾ Alternate Lamps ⁽¹⁾ Other Options ⁽¹⁾	Accessories (Order separately) WG2 =Wire Guard WG7 =Wire Guard VS=Choose polycarbonate vandal shield desired from accessories sheet	Energy Data		
			Model No.	Input Current (Max.):	
RD1, RD3			RD1, RD3	120V	277V
RD4, RLM4			RD4, RLM4	.12A	.05A
RD6			RD6	.30A	.13A
RD7			RD7	.06A	.03A
RLM1, RLM2, RLM3			RLM1, RLM2, RLM3	.07A	.04A
RLM8			RLM8	.12A	.05A
RLM9			RLM9	.06A	.03A
				.07A	.04A

⁽¹⁾ Consult your Cooper Lighting Representative. ⁽²⁾ Provision for one meter only.