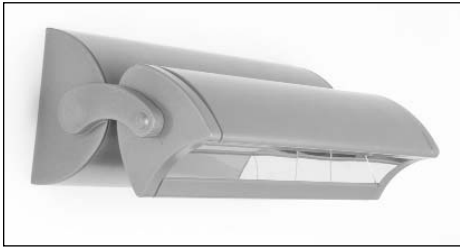


Type No. _____
Job Name _____
Catalog No. _____



Shown: BN0N



Brillare Normally On Egress Lighting

- Normally On Architectural Lighting
- Two Three-Watt Dimmable LED Lamps
- Two-Circuit Option for Emergency Lighting

Housing

- Robust die cast and extruded aluminum housing
- Available in a full range of pleasing architecturally inspired finishes (see ordering information)
- Wall mount to standard 3-1/2" octagonal junction box
- Optional tamperproof kit available

Illumination

- Illumination is provided by two 3W white LEDs and a specular Miro 4 (Alanod™) aluminum reflector
- Lamp head assembly may be rotated in five-degree increments over a range of 60 degrees for ideal distribution along the egress path
- Provides one footcandle average illumination over a 12' long path of egress for a single fixture and 26' centers for multiple fixtures

Installation

- Designed for wall mounting to a single gang switch box or 3 1/2" octagonal junction box
- Quick and easy installation using simple two-piece snap together construction
- Backplate is provided with convenient keyhole slots for mounting and a tamperproofing option is available

Application

- Ideal for commercial, retail, or office locations

Warranty

Electronics: 3 years full

Electronics

- 120/277 VAC dual voltage input

Electrical Specifications

Input power requirements at 120VAC

120 VAC - 0.11 Amps - 11.73 Watts, 0.87 pf

Input power requirements at 277VAC

277 VAC - 0.05 Amps - 11.61 Watts, 0.86 pf

Modes of Operation

AC Only - Accommodates 120/277 VAC dual input. This model may be controlled by a wall switch or dimming circuit.

2CKT1 - Offers the AC-only standard but includes a 120/120 utility and emergency feed from a generator or AC inverter system for egress lighting.

2CKT2 - Offers the AC-only feature but includes a 277/277 utility and emergency feed from a generator or AC inverter system for egress lighting.

Code Compliance

- UL 924
- UL damp location listing standard
- NFPA 101, NEC, BOCA, OSHA, and IBC illumination standards

Operating Temperature Range

- -22°F (-30°C) to 104°F (40°C)

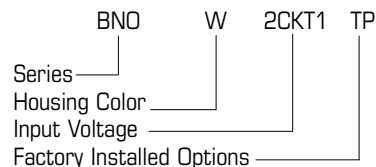
Brillare Normally On Emergency Lighting

Ordering Information

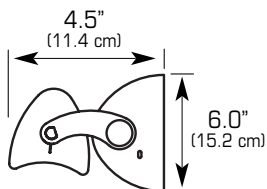
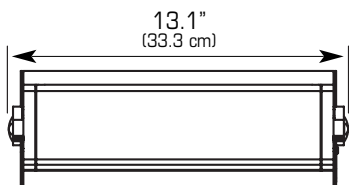
BNO			
SERIES	HOUSING COLOR	INPUT VOLTAGE OPTIONS	FACTORY INSTALLED OPTIONS
BNO = Brillare Normally On	W = White B = Black A = Aluminum G = Gunmetal BR = Ornamental Bronze AC = Aged Copper VG = Velvet Green N = Nickel Consult factory for other colors.	Blank = 120/277 VAC No Emergency 2CKT1 = 120/120 2-Circuit 2CKT2 = 277/277 2-Circuit	TP = Tamperproof

ACCESSORIES (Ordered Separately)
T10TP00L = Tamperproof Tool with Bit

Ordering Example



Dimensions



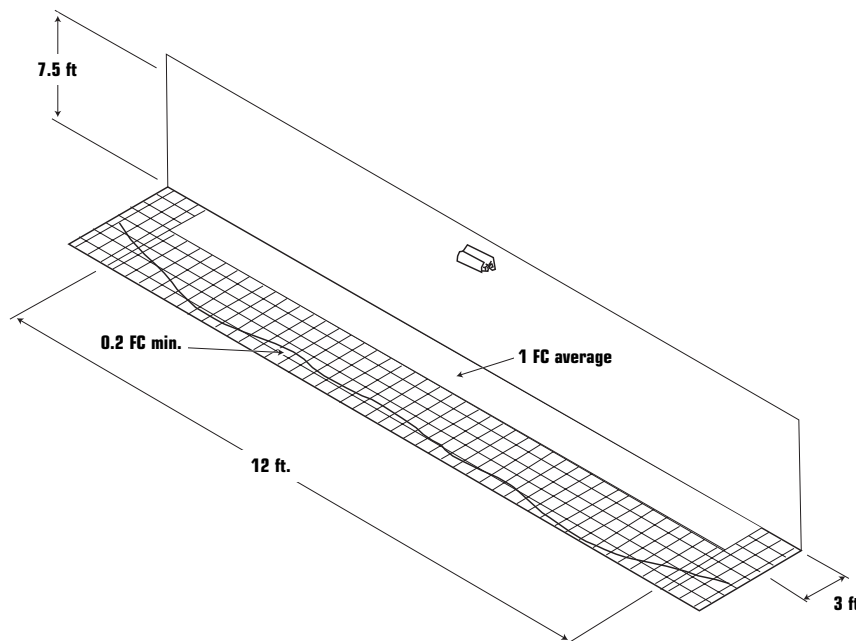
Dimensions are approximate and subject to change.

Typical Lighting Levels

(Simplified to one footcandle traces)

Dual fixtures on 26 foot centers provide 1 footcandle average.

Single fixture provides 1 footcandle average over 12 feet.



Suggested Specification

Furnish and install LightGuard emergency lighting model _____. The unit shall be constructed to meet Underwriters Laboratories, Inc. Standard 924 and must be installed to conform to Article 700 of the National Electrical Code (NEC).

INSTALLATION AND OPERATION – Unit shall be easily field connected to a 120 or 277 VAC, 60 hertz, unswitched power source. Installation must comply with the NEC as well as other applicable codes. Optional 2-circuit inputs are available for egress lighting and powered by a generator or inverter system.

ILLUMINATION – Illumination shall be provided by an engineered Miro 4 reflector and two three-watt white LED lamps. The LED lamps shall be capable of being controlled by a wall switch or dimmer/dimming circuit. The two circuit option shall provide either a 120/120 VAC or 277/277 VAC dual circuit to accommodate normally on lighting applications with an available feed from a generator or AC inverter system for egress lighting. Emergency illumination is automatic when the auxiliary line is active and is independent of the load switch or dimmer setting.

HOUSING – Housing construction shall be of cast and extruded aluminum. The unit shall be available in multiple colors and finishes. The unit shall be wall mounted to a standard 3-1/2" octagonal junction box.

ALL SPECIFICATIONS SUBJECT TO CHANGE WITHOUT NOTICE



272 West Stag Park Service Road • Burgaw, NC 28425
 (910) 259-1131 • FAX (800) 403-6927
 www.lightguard.com

L2338R3
 3/08 IH