

Description

AC-only and emergency cavity lit LED exit signs feature classic design, even illumination, low power consumption, long service life and rugged aluminum construction.

Features

All Models

- Lightweight, rugged aluminum construction
- Single or double 6" letter faces
- Wall, ceiling or end mount models
- Red or green exit letters
- Universal directional chevrons provided by means of knockouts
- White finish standard, black finish optional
- High output, long life LED illumination
- Low power consumption (2 watts per face)
- Universal 120/277VAC field selectable input

Emergency Models

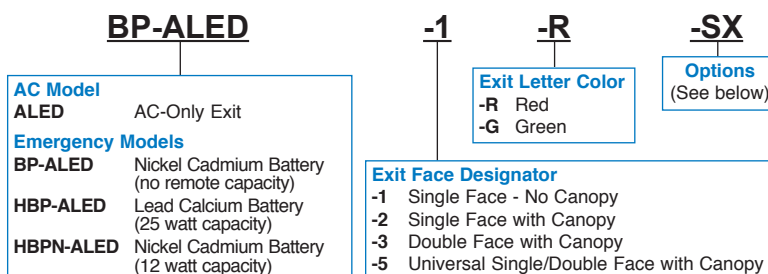
- 90 minutes of emergency illumination
- Solid-state charging and switching circuits
- Maintenance free nickel cadmium battery standard, lead calcium batteries used on models with optional lighting heads
- Low voltage disconnect protects battery against deep discharge damage
- AC Lockout feature reduces installation time
- Momentary test switch
- LED AC Ready indicator light
- Optional self-diagnostic circuit available
- Meets NFPA Life Safety Code 101, NEC, OSHA, State and local codes
- UL924 listed

Specifier Reference

Project: _____
 Fixture Type: _____
 Model No.: _____
 Comments: _____



Ordering Guide



NOTE: All product specifications shown are subject to change without notice.

Options ⁽¹⁾⁽²⁾

Add Suffix	Description
-B	Black Finish
-BS	Black Finish with Silver Stencil
-DEH18	Par 18, 5.4 Watt Side Mounted Lighting Heads (front mount optional) ⁽³⁾⁽⁴⁾
-DEH36	Par 36, 5.4 Watt Side Mounted Lighting Heads (front mount optional) ⁽³⁾⁽⁴⁾
-4HR	4-Hour Emergency Operation ⁽³⁾⁽⁴⁾
-220	220VAC, 50Hz. Input
-TC11	Two-Circuit Input (120VAC)
-TC12	Two-Circuit Input (277VAC)
-SW	Special Wordings
-SX	Self-Diagnostic Circuit (emergency models only)
-IA	Audible Intermittent Alarm (emergency models only)
-IV	Visual Intermittent Alarm (emergency models only)
-FA	Fire Alarm Panel Interface
-TP	Tamper Proof Screws and Driver Bit
-DL	Damp Location

(1) Other options available. Consult factory.
 (2) Some options may impact product UL listing. Consult factory.
 (3) Requires a top mounted utility pack.
 (4) Requires lead calcium batteries.

Accessories

Order Model	Description
HSK18-W	18" Stem Mounting Kit (white) ⁽⁵⁾
HSK18-B	18" Stem Mounting Kit (black) ⁽⁵⁾
PG-8	Wire Guard - Wall Mount Exits (without lighting heads)
PG-11	Wire Guard - Ceiling or End Mount Exits (without lighting heads)
PG-10	Wire Guard - Wall Mount Exits (with lighting heads)
VERS	Vandal/Environmental Shield
VERS-4X	Vandal/Environmental Shield with Gasket

(5) Other lengths available. Consult factory.

Construction

Material: ALED Series exits are constructed of heavy duty aluminum finished in white baked-on powder paint providing scratch and corrosion resistance. Optional black (-B) finish is available, see Options on front for ordering details.

Exit Face

Letter Size: 6" letters with 3/4" stroke

Directional Indicators: Removable chevron arrows sized to meet UL visibility requirements.

Illumination

Light Source: Exit face illumination is provided by a special high intensity indirect red or green LED panel. Letter brightness and illumination uniformity exceed UL requirements.

Installation

Wall Mounting: Backplates on single face models are supplied with knockouts for attachment to wall surfaces and standard 3 1/2" and 4" electrical boxes.

Ceiling/End Mounting: Mounting canopies are provided for attachment to standard 3 1/2" and 4" electrical boxes in ceiling or end mount applications.

Power Consumption

	Red Letters		Green Letters	
	120V	277V	120V	277V
AC Models	4.8W	4.6W	4.8W	4.6W
Emergency Models	4.8W	4.6W	4.8W	4.6W

Power Factor (all models): 0.85 lagging

Code Information

All models are UL Listed and meet NFPA 101 Life Safety Code, NEC, OSHA, state and local codes. Emergency models are UL924 Listed.

Charger and Electronics

Charger Type: BP-ALED and HBPN-ALED models utilize a fully automatic, temperature compensating, constant current charger. HBP-ALED models utilize a fully automatic, temperature compensating, variable rate charger.

Utility Input: 120/277VAC, 60 Hz.

Temperature Range: 68°F to 86°F (20°C to 30°C)
Models supplied with damp location (-DL) option operate from 50°F to 104°F (10°C to 40°C)

Recharge Duty Cycle: 24 hours

Load Transfer: Solid state transfer circuit

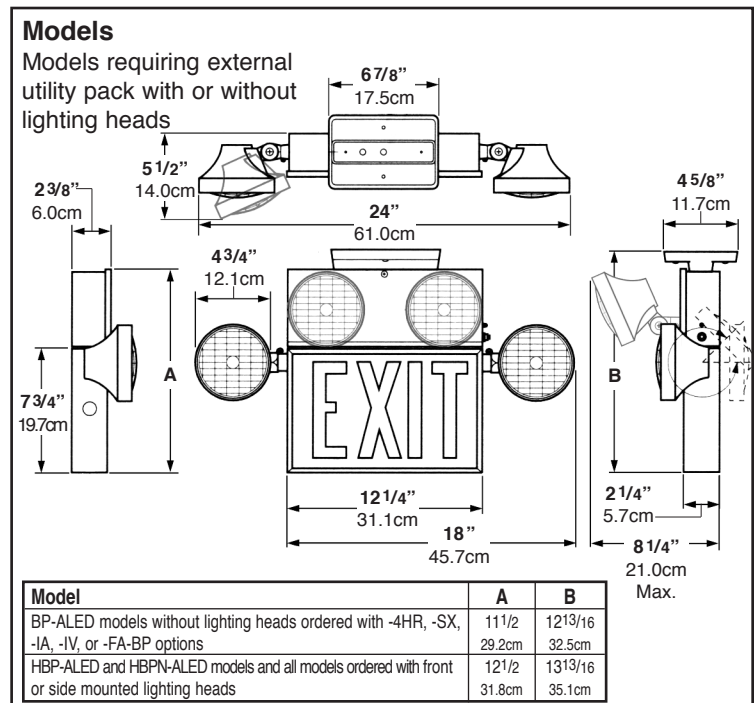
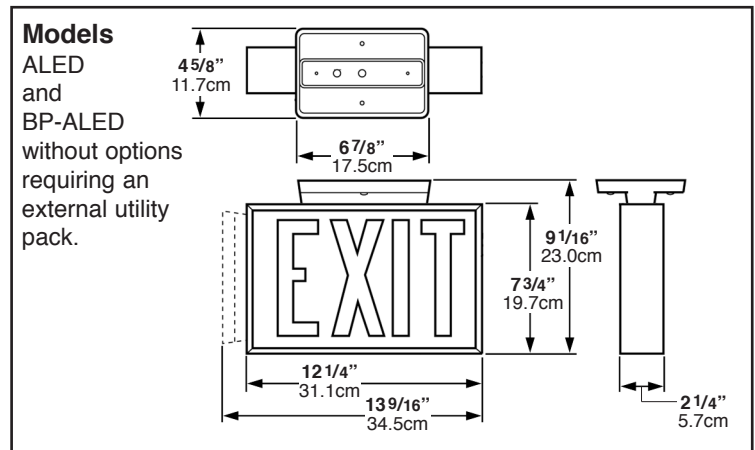
Controls: Momentary test switch and LED AC-On indicator light

Safety Circuitry:

AC Lockout: Prevents battery discharge prior to initial unit power-up saving installation time.

Low Voltage Battery Disconnect: Protects the battery from being severely damaged by deep discharge during prolonged power failures.

Dimensions



Emergency Operation

Upon failure of the normal utility power, a solid-state transfer switch automatically activates the LED emergency lamps providing uninterrupted operation. Emergency illumination will be supplied for a minimum of 90 minutes. During emergency operation, the exit battery is protected from severe discharge damage by an automatic low voltage disconnect circuit that discontinues unit operation when battery voltage reaches 87.5% of nominal. When normal utility power is restored, the battery is automatically disconnected from the load and a recharging cycle begins that will return the battery to full capacity within 24 hours.

Battery

BP-ALED and HBPN-ALED Series: Nickel Cadmium maintenance free battery designed to provide many years of dependable service.

HBP-ALED Models: Lead Calcium maintenance free battery

Warranty

Unit: (including LED lamps) 3 years full coverage against defects in materials and workmanship from date of shipment

Battery: 3 years full warranty plus an additional 7 years of pro-rata coverage