



CLED Series

Cast Aluminum LED Exit Signs



**Self-Diagnostic
Operation Standard!**

Description

Featuring classic styling, rugged cast aluminum construction, bright, even exit face illumination and very low power consumption. Emergency models provide self-diagnostic operation as standard.

Features

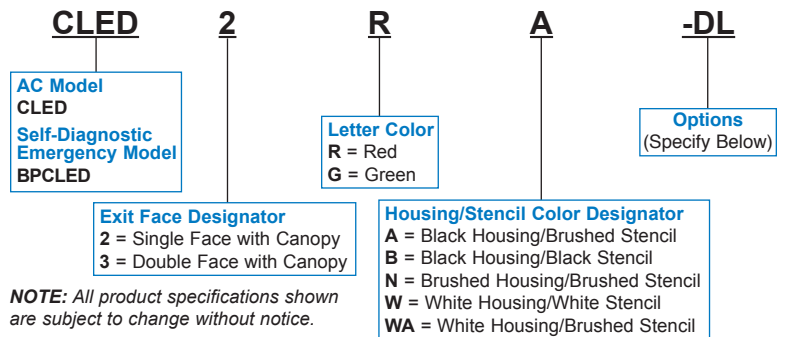
All Models

- Rugged cast aluminum construction
- Single or double face models
- Red or green exit letters
- All models allow wall or canopy mounting to top or end of sign
- Universal directional chevrons provided by means of knockouts
- Universal 120/277VAC field selectable input
- Choice of five decorator finishes
- High output, long life LED lamps

Emergency Models

- Self-diagnostic operation standard
- Universal 120/277VAC field selectable input
- Solid-state charging and switching circuits
- Two-stage, temperature compensated charger
- Long life nickel cadmium battery with quick connect plug assembly
- 90 minutes of emergency operation
- Automatic low voltage battery disconnect, brownout, surge and AC lockout protection
- Manual test and LED AC indicator light
- Optional audible self-diagnostic alert alarm
- 32°F to 104°F (0°C to 40°C) temperature range
- Meets NFPA Life Safety Code 101, NEC, OSHA, State and local codes
- UL924 listed

Ordering Guide



Options ⁽¹⁾⁽²⁾

Add Suffix	Description
-EX	Special Input Transformer (specify voltage and frequency)
-TC11	Two Circuit Input (120VAC)
-TC12	Two Circuit Input (277VAC)
-TA	Audible Self-Diagnostic Alert Alarm (emergency models only)
-IA	Audible Intermittent Alarm (emergency models only)
-IV	Visual Intermittent Alarm (emergency models only)
-BF	Audio-Visual Intermittent Alarm (emergency models only)
-DC	12 - 48VDC Input Power (AC models only)
-FA	Fire Alarm Panel Interface
-DL	Damp Location
-TP	Tamper Proof Screws
-VRS	Tamper Proof Screws and Polycarbonate Face Shield
-PM	Pendant Mounting Adaptor ⁽³⁾
-LC	Matching Low-Level Recessed Diecast LED Remote Exit
-LL	Institutional Frame Low-Level Surface Mount LED Remote Exit

(1) Other options available. Consult factory.

(2) Some options may impact product UL listing. Consult factory.

(3) Order appropriate pendant kit shown in Accessories below

Specifier Reference

Project: _____

Fixture Type: _____

Model No.: _____

Comments: _____

Accessories

Order Model	Description
ZSK12-W	12" Pendant Mounting Kit (white) ⁽⁴⁾
ZSK12-B	12" Pendant Mounting Kit (black) ⁽⁴⁾
T15TPTOOL	Tamper Proof Screwdriver
IRT	Infrared Remote Testing Device (emergency models only)
PG-9	Wire Guard - Wall Mount Exits
PG-11	Wire Guard - Canopy Mount Exits

(4) Exit must be ordered with -PM option for compatibility with Pendant Mounting Kit. Other lengths available. Consult factory.

Construction

Housing: CLED Series exits are constructed of heavy die cast aluminum and supplied standard with a corrosion resistant, epoxy-based powder coat finish. Mounting canopies supplied with all exits are constructed of heavy die cast aluminum and finished to match housing color.

Five optional finishes are available and include black with brushed stencil face (A), all black housing and stencil face (B), brushed housing and brushed stencil face (N), all white housing and stencil face (W), and white with brushed stencil face (WA). See Ordering Guide on front for details.

Exit Face

Letter Size: 6" letters with 3/4" stroke

Directional Indicators: Removable chevron arrows sized to meet UL visibility requirements.

Illumination

Light Source: Exit face illumination is provided by a special internal light chamber utilizing a high intensity red or green LED array. Letter brightness and illumination uniformity exceed UL requirements

Installation

Wall Mounting: Single face models are supplied with knockouts in the exit housing's back plate for attachment to wall surfaces and standard 3 1/2" and 4" electrical boxes.

Ceiling/End Mounting: Mounting canopies are provided with all models for attachment to standard 3 1/2" and 4" electrical boxes in ceiling or end mount applications

Power Consumption

	Red Letters		Green Letters	
	120V	277V	120V	277V
AC Models	4.4W	4.1W	4.4W	4.1W
Emergency Models	4.4W	4.1W	4.4W	4.1W

Power Factor (all models): 0.81 to 0.83

Charger and Electronics

Charger Type: BPCLED emergency models utilize a fully automatic, temperature compensated, micro-processor controlled charger.

Utility Input: 120/277VAC, 60 Hz.

Temperature Range: 32°F to 104°F (0°C to 40°C)

Recharge Duty Cycle: 24 hours

Load Transfer: Solid state transfer circuit

Controls: Momentary test switch and LED AC-On indicator light

Safety Circuitry:

AC Lockout: Prevents battery discharge prior to AC power-up

Low Voltage Battery Disconnect: Protects battery from deep discharge during prolonged power failures.

Brownout Protection: Switches the unit to emergency operation when AC sags below 80% of nominal.

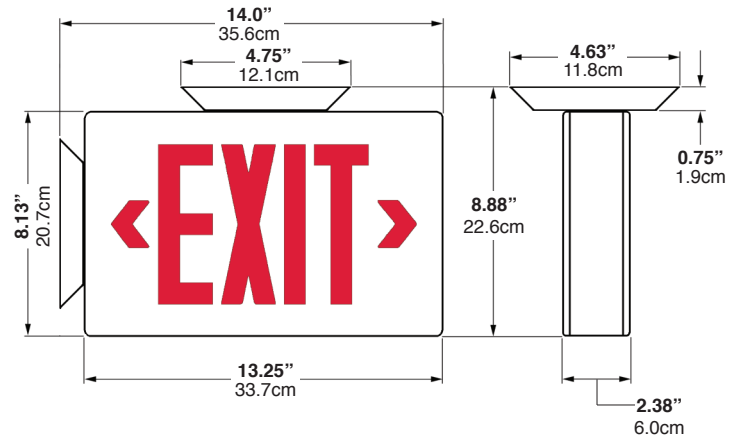
Code Information

All models are UL Listed and meet NFPA 101 Life Safety Code, NEC, OSHA, state and local codes. Emergency models are UL924 Listed.

Battery

Emergency Models: Sealed Nickel Cadmium longest life maintenance free battery.

Dimensions



Visual Self-Diagnostic Fault Indicators

The CLED self-diagnostic circuitry is capable of providing a visual fault indication of the following conditions:

Fault Condition	Indicator
Battery Disconnect/Failure	Red LED 1X Flash Rate
LED Lamp Failure	Red LED 2X Flash Rate
Battery Charger Failure	Red LED 3X Flash Rate
Transfer Circuit Failure	Red LED 4X Flash Rate
AC Line Under-Voltage	Red and Green LEDs Slow Alternate Flash
AC Line Over Voltage	Red and Green LEDs Fast Alternate Flash

Self-Diagnostic Emergency Operation

Standard self-diagnostic circuitry continuously checks LED array, charger, battery and transformer operation. A bi-color LED interface provides unit status and operational readiness information. Coded LED flash signals identify fault type if detected. Automatic diagnostic/discharge cycling includes a one-minute monthly test and a 30-minute test every sixth and twelfth months. Upon failure of the normal utility power or a brownout condition where voltage sags below 80% of nominal, a solid-state transfer switch automatically switches the unit to emergency mode providing uninterrupted operation. Emergency illumination of the LED array will be supplied for a minimum of 90 minutes. During emergency operation, the exit battery is protected from severe discharge damage by an automatic low voltage disconnect circuit that discontinues unit operation when battery voltage reaches 87.5% of nominal. When normal utility power is restored, the battery is automatically disconnected from the load and a recharging cycle begins.

Infrared Remote Tester Accessory

CLED self-diagnostic emergency exit signs can be tested using the unit's integral manual test switch or with activation of a built in infrared sensor

using the IRT infrared remote testing device (See "Accessories" on front of sheet). The hand-held IRT interface allows a user to activate a 1-, 30-, or 90-minute discharge test with the touch of a button from up to 40 feet from the exit location. The IRT device also provides the ability to silence the audible signal on CLED models equipped with the -SXAL self-diagnostic option.



Warranty

Unit: (including LED lamps) 3 years full coverage against defects in materials and workmanship from date of shipment

Battery: 3 years full warranty plus an additional 7 years of pro-rata coverage