



High Glow Series

High Output LED Exit Signs

Description

Featuring ultra thin design and exceptionally bright, even illumination, High Glow exit signs are available in thermoplastic and high strength cast aluminum construction.

Features

All Models

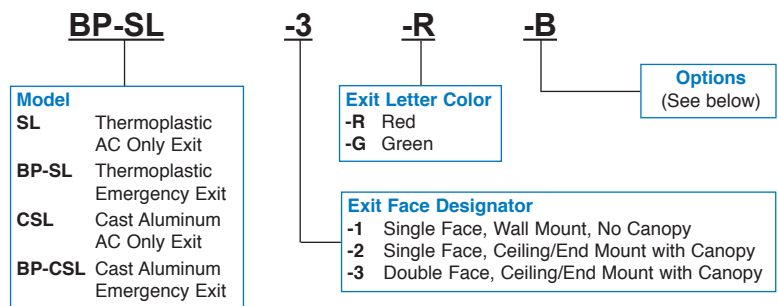
- Choice of thermoplastic or rugged cast aluminum construction
- Sleek, ultra thin 7/8" (2.2cm) profile
- Exceptionally bright, even illumination
- Single or double stencil face models
- Red and green exit models
- Wall, ceiling or end mounting models
- Directional chevrons provided by means of knockouts
- Universal 120/277VAC field selectable input
- Unique "Plug and Lock" mounting bracket allows fast, easy installation
- White housing (optional black finish)
- High output, long life LED lamps

Emergency Models

- 90 minutes of emergency lighting
- Solid-state charging and switching circuits
- Premium grade, maintenance free nickel cadmium battery
- Low voltage disconnect protects battery against deep discharge damage
- AC lockout feature reduces installation time
- Optional self-diagnostic circuit
- Momentary test switch
- Bi-color LED status indicator
- Meets NFPA Life Safety Code 101, NEC, OSHA, State and local codes
- UL924 listed



Ordering Guide



NOTE: All product specifications shown are subject to change without notice.

Options⁽¹⁾⁽²⁾

Add Suffix	Description
-B	Black Finish
-SP	Special Paint Finish (consult factory)
-DL	Damp Location Application
-SW	Special Wording (white LEDs - consult factory)
-TC11	Two-Circuit Input (120VAC)
-TC12	Two-Circuit Input (277VAC)
-SX	Self-Diagnostic Circuit (emergency models only)
-IA	Audible Intermittent Alarm (emergency models only)
-IV	Visual Intermittent Alarm (emergency models only)
-FA	Fire Alarm Panel Interface

(1) Other options available. Consult factory.

(2) Some options may impact product UL listing. Consult factory.

Specifier Reference

Project: _____

Fixture Type: _____

Model No.: _____

Comments: _____

Accessories

Order Model	Description
PG-8	Wire Guard - Wall Mount Models
PG-11	Wire Guard - Ceiling or End Mount Models
VERS	Vandal/Environmental Shield
VERS-4X	Vandal/Environmental Shield with Gasket

Construction

Thermoplastic Models: Exit housings and mounting canopies supplied on ceiling and end mount models are injection molded in high impact, UV stable, flame rated thermoplastic and supplied standard in a neutral cream finish.

Cast Aluminum Models: Exit housings are constructed of heavy die cast aluminum and supplied standard in a corrosion-resistant white textured finish. Mounting canopies supplied with ceiling and end mount models are constructed of heavy die cast aluminum and finished to match housing color.

Optional finishes include black (-B) and special color finishes (-SF) on all models. See Ordering Guide on front for details.

Exit Face

Letter Size: 6" letters with 3/4" stroke

Directional Indicators: Removable chevron arrows sized to meet UL visibility requirements.

Illumination

Light Source: Normal AC and emergency exit face illumination is provided by a special high intensity indirect red or green LED panel. Letter brightness and illumination uniformity exceed UL requirements.

Installation

Wall Mounting: Wall mount models are supplied with knockouts in the exit housing's back plate for attachment to wall surfaces and standard 3 1/2" and 4" electrical boxes.

Ceiling/End Mounting: Mounting canopies are provided on ceiling and end mount models for attachment to standard 3 1/2" and 4" electrical boxes.

Wiring: A unique "plug and lock" mounting bracket is provided which allows fast, easy installation.

Power Consumption

	Red Letters		Green Letters	
	120V	277V	120V	277V
AC Models	3.79W	3.75W	3.79W	3.79W
Emergency Models	3.79W	3.75W	3.75W	3.75W

Power Factor (all models): 0.85 lagging

Code Information

All models are UL Listed and meet NFPA 101 Life Safety Code, NEC, OSHA, state and local codes. Emergency models are UL924 Listed.

Charger and Electronics

Charger Type: Emergency models utilize a fully automatic, temperature compensating, constant current type charger.

Utility Input: 120/277VAC, 60 Hz.

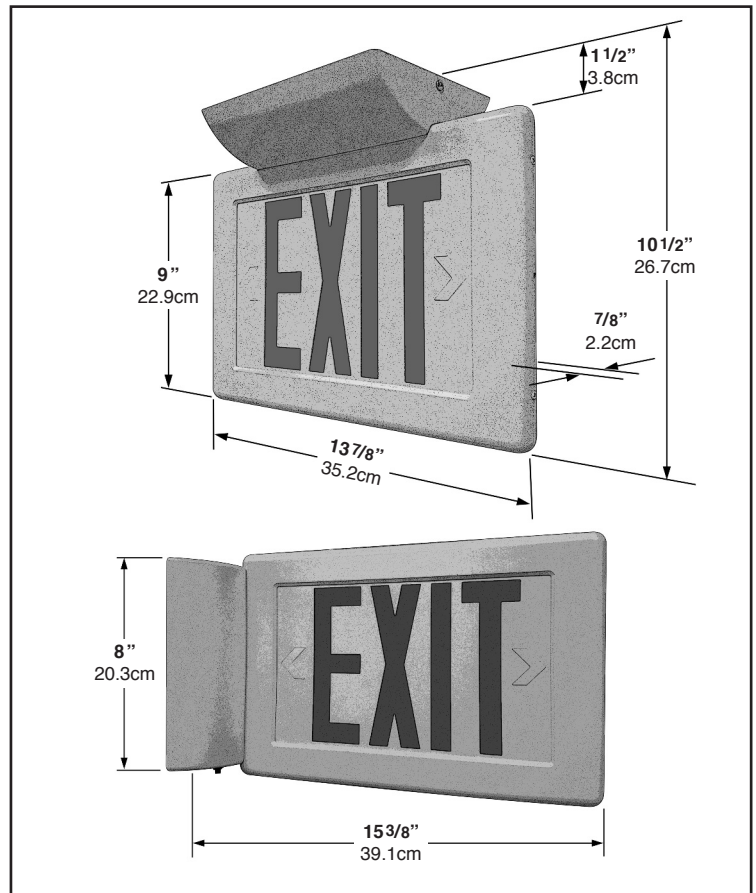
Temperature Range: 68°F to 86°F (20°C to 30°C)

Recharge Duty Cycle: 24 hours

Load Transfer: Solid state transfer circuit

Controls: Momentary test switch and LED AC-On indicator light

Dimensions



Charger and Electronics (cont.)

Safety Circuitry:

AC Lockout: Prevents battery discharge prior to initial unit power-up saving installation time.

Low Voltage Battery Disconnect: Protects the battery from being severely damaged by deep discharge during prolonged power failures.

Emergency Operation

Upon failure of the normal utility power, a solid-state transfer switch automatically activates the LED lamp strip providing uninterrupted operation. Emergency illumination will be supplied for a minimum of 90 minutes. During emergency operation, the exit battery is protected from severe discharge damage by an automatic low voltage disconnect circuit that discontinues unit operation when battery voltage reaches 87.5% of nominal. When normal utility power is restored, the battery is automatically disconnected from the load and a recharging cycle begins that will return the battery to full capacity within 24 hours.

Battery

Type: Sealed Nickel Cadmium maintenance-free battery designed to provide many years of dependable service.

Warranty

Unit: (including LED lamps) 3 years full coverage against defects in materials and workmanship from date of shipment

Battery: 3 years full warranty plus an additional 7 years of pro-rata coverage