



CVEC Series

Emergency Lighting Units

The CVEC series provides 6- and 12-volt models with capacities up to 100 output watts. The unobtrusive housing features softly rounded corners and is constructed of rugged, high-impact thermoplastic.



Heads may be top or side mounted

| | |
|----------------|------|
| Catalog Number | |
| Comments | Type |



Standard Features

- Injection molded high impact, UV stabilized thermoplastic
- Standard white housing
- T-5 incandescent lamps
- Lampheads may be top or side mounted
- Most models capable of powering remote lampheads
- Maintenance-free battery
- Dual voltage – 120/277VAC
- Automatic low voltage disconnect
- Thermally compensated charger
- Regulated charge voltage
- Reverse polarity protection
- Filtered charger output
- Universal wall mounting plate
- Short circuit protection
- AC lockout
- Test switch and AC-On light
- Optional Spectron® self-testing/self-diagnostic electronics
- Temperature range: 20°C to 30°C (68°F to 86°F)
- UL 924 Listed

Model Numbers

Standard Models

CVEC15 (6V, 15W)

CVEC30 (6V, 30W)

CVEC50 (6V, 50W)

CVEC50-12V (12V, 50W)

CVEC100-12V (12V, 100W)

NiCad Battery Models

CVEC15N (6V, 15W)

CVEC30N (6V, 30W)

CVEC50N (6V, 50W)

CVEC50N-12V (12V, 50W)

CVEC100N-12V (12V, 100W)

Options (Add suffix to catalog number)

I Spectron® self-testing/self-diagnostic electronics ⁽¹⁾

-B Black housing

-V Voltmeter

-A21 Auxiliary 2-conductor AC line cord (120V) ⁽²⁾

-A31 Auxiliary 3-conductor AC line cord (120V) ⁽³⁾

-0 Unit supplied with no lighting heads ⁽³⁾

-24K 220-240VAC, 60Hz operation

⁽¹⁾ Spectron not available with NiCad models.

⁽²⁾ Available on CVEC15 and CVEC15N models only.

⁽³⁾ Available on all models except CVEC15 and CVEC15N.

Accessories (Order Separately)

40G Wire guard ^(a)

41G Wire guard ^(b)

SRHSW Matching 6-volt remote head - single ^{(c)(d)}

SRHDW Matching 6-volt remote head - twin ^{(c)(d)}

SRHSW Matching 12-volt remote head - single ^{(c)(d)}

SRHDW Matching 12-volt remote head - twin ^{(c)(d)}

^(a) For top mounted heads on CVEC 15 and 30 watt models

^(b) For top mounted heads on CVEC 50 and 100 watt models and side mounted heads on CVEC 15 and 30 watt models.

^(c) Supplied with mounting plate. Specify voltage and wattage when ordering. Example: **SRHDW0607**.

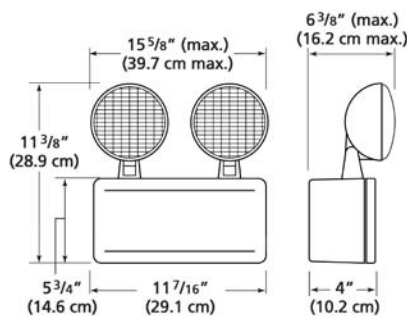
^(d) Replace "W" with "B" for black finish. Example: **OMSDB0607**.

Optional Lamps

To order two nonstandard lamps on the fixture, suffix the catalog number. See the "Remote Heads and Fixtures" catalog section for available lamps. Example: CVEC50-SRHSW0618

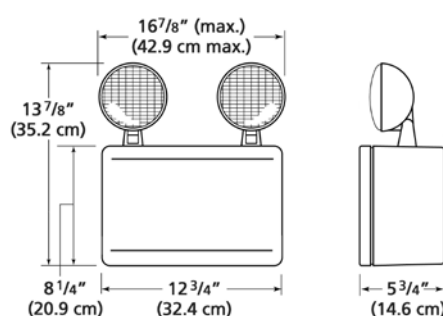
Dimensions

15- and 30-Watt Models



Side Mount Heads Width = 22 3/4" (57.8 cm)

50- and 100-Watt Models



Side Mount Heads Width = 24" (61 cm)



Hubbell Lighting, Inc.

Housing

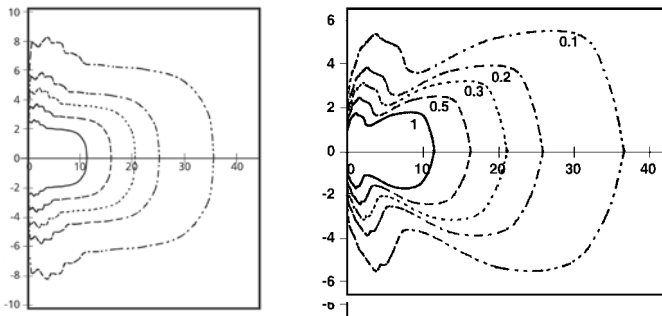
Compact size. Molded from high impact mar-resistant thermoplastic. The unit has a textured white finish. A universal mounting pattern and keyhole slots are provided on the backplate to make installation simple. Knockouts on the top and side are provided for conduit feed.

Light Source

6-volt models are furnished standard with two 7.2 watt T-5 lamps. 12-volt models are furnished standard with two 7.2 watt T-5 lamps. Fully directional, injection molded lampheads will remain in place once they are aimed in desired direction.

6 Volt, 7.2 Watt SBT Lamp

12 Volt, 7.2 Watt SBT Lamp



Battery

Standard models are supplied with maintenance-free lead-acid batteries. Batteries are completely sealed and never require water to be added. NiCad models are supplied with long life, maintenance-free nickel cadmium batteries.

Electronics

In standard lead-acid battery models, the charger is a fully-automatic, constant voltage, current limited type. Charger voltage is regulated to ±1% of nominal system voltage. In NiCad battery models, the charger is a fully-automatic constant current type. All chargers are temperature compensated and protected against short circuit and reverse polarity conditions. Transfer to emergency operation is completely automatic upon failure

of utility AC voltage. A brownout circuit is provided and a low voltage disconnect circuit prevents deep discharge damage to the unit battery during prolonged power outages. An AC lockout prevents battery discharge before the unit is energized with AC power. Full battery recharge occurs in compliance with UL 924 specifications. A universal 120/277VAC, 60Hz input transformer, test switch and long life AC pilot light are all provided standard.

Warranty

| | Unit and Electronics | Battery | |
|----------------------------|----------------------|---------|----------|
| | | Full | Pro-Rata |
| CVEC Models | 3 years | 2 years | 8 years |
| CVEC NiCad Models | 3 years | 3 years | 7 years |
| CVEC Models with Spectron® | 5 years | 5 years | 5 years |

Suggested Specifications

Self-contained emergency lighting unit shall be Dual-Lite model _____. The unit shall supply the rated load for a minimum of 1½ hours to not less than 87½% of rated battery voltage. The unit shall be rated 120/277VAC, 60 Hz and be listed with Underwriters Laboratories to Standard 924. The emergency power source shall be a fully rechargeable maintenance-free (lead-acid)(nickel-cadmium) battery. The housing shall be constructed of high impact thermoplastic in (white)(black) finish. Electronics shall include a solid state charger with regulated charge voltage, current limitation, temperature compensation and short circuit protection. A low voltage disconnect and AC lockout will also be included in the electronics. Illumination shall be provided by two 7.2 watt sealed beam type incandescent lamps housed in fully directional, high impact thermoplastic lamphead assemblies.

NOTE: Self-testing, self-diagnostic models with over 80 watts of capacity require a minimum load of 35 watts for accurate lamp failure indications.

Product Selector Guide

| Standard Models | NiCad Models | Output Volts | Electrical | | | | | | | | | |
|-----------------|--------------|--------------|--------------|--------|--------|--------|------------|------|-------------|------|---------------|-------------------|
| | | | Output Watts | | | | Input Amps | | Input Watts | | Standard Lamp | Remote Capability |
| | | | 1.5 Hrs. | 2 Hrs. | 3 Hrs. | 4 Hrs. | 120V | 277V | 120 | 277V | | |
| CVEC15 | CVEC15N | 6 | 15 | -- | -- | -- | .07 | .03 | 8.4 | 8.8 | 7.2W | No |
| CVEC30 | CVEC30N | 6 | 30 | 22 | 15 | 12 | .07 | .03 | 8.4 | 8.8 | 7.2W | Yes |
| CVEC50 | CVEC50N | 6 | 50 | 38 | 25 | 20 | .17 | .08 | 20 | 20 | 7.2W | Yes |
| CVEC50-12V | CVEC50N-12V | 12 | 50 | 38 | 25 | 20 | .11 | .05 | 13 | 14 | 7.2W | Yes |
| CVEC100-12V | CVEC100N-12V | 12 | 100 | 76 | 54 | 44 | .32 | .14 | 39 | 28 | 7.2W | Yes |