

### Description

Self-luminous tritium exit signs consume no energy. FLXT signs require no wiring or maintenance and are suitable for over door or floor proximity applications.

### Features

#### All Models

- Requires no batteries or electricity and consumes no energy
- No maintenance ever required
- Easy installation, no wiring required
- Snap together design
- Waterproof and explosion proof construction
- Suitable for over door and floor proximity applications
- Available with optional polycarbonate face shield
- Single or double face models
- Universal wall, ceiling or end mounting
- Red or green exit faces
- Foreign language models available
- Universal directional chevrons provided by means of knockouts
- High impact ABS construction
- White housing standard
- Optional black or chrome housing finishes
- 10 and 20 year life models
- ETL listed to UL standards
- Suitable for NEC Article 500, Class I and II conditions
- NRC and AECB licensed
- Conforms to NFPA 101 Life Safety Code, ANSI N540, California Title 24, BOCA, UBC and Mine Safety requirements



### Specifier Reference

Project: \_\_\_\_\_

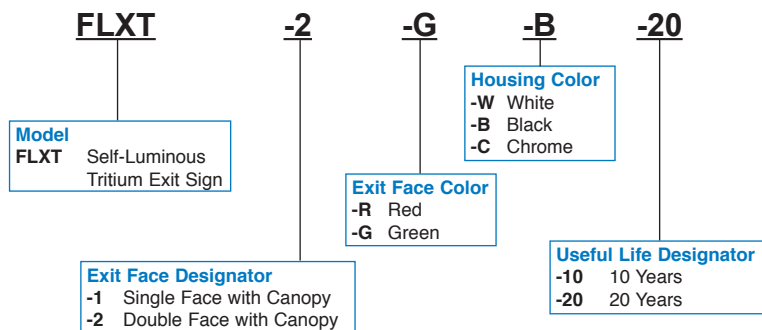
Fixture Type: \_\_\_\_\_

Model No.: \_\_\_\_\_

Comments: \_\_\_\_\_

\_\_\_\_\_

### Ordering Guide



**NOTE:** All product specifications shown are subject to change without notice.

### Accessories

Order Model	Description
PCS-1	Polycarbonate Vandal/Environmental Shield
WG	Wire Guard

## Construction

**Housing:** FLXT Series exits are constructed of UV stable, impact resistant ABS thermoplastic in a choice of white, black or chrome finishes. Mounting canopies supplied with all exits are constructed of ABS thermoplastic and finished to match housing color.

**Exit Face Shield:** An optional polycarbonate exit face shield is available on all models to protect the exit face and prevent tampering.

## Exit Face

**Letter Size:** 6" letters with 3/4" stroke

**Directional Indicators:** Removable chevron arrows sized to meet UL visibility requirements.

## Illumination

**Light Source:** Tritium gas tubes. Letter brightness meets UL requirements for self-luminous exit signs.

**Tritium Lamp Life:** May be specified as 10, 15 or 20 years (estimated average to end of useful life)

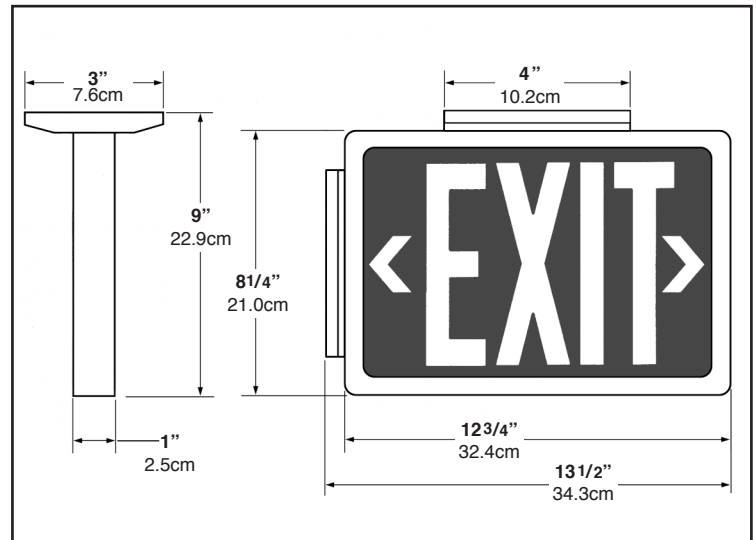
## Installation

**Wall Mounting:** Single face models are supplied with keyhole slots in the exit housing's back plate for attachment to wall surfaces.

**Ceiling/End Mounting:** Mounting canopies are provided with all models for attachment to ceiling or wall surfaces.



## Dimensions



## Code Information

All models are ETL listed to UL standards and suitable for NEC Article 500, Class I and II conditions.

FLXT exits are NRC and AECB licensed and conform to NFPA 101 Life Safety Code, ANSI N540, California Title 24, BOCA, UBC and Mine Safety requirements

## Foreign Language Models

**AUSGANG** (German)

**JALEN** (Dutch)

**KELUAR** (Indian)

**SAIDA** (Portuguese)

**SALIDA** (Spanish)

**SORTIE** (French)

**UITGANG** (Austrian)

**USCITA** (Italian)

To order, suffix model number with the wording required.

**Ex: FLXT-2-R-C-20-Jalen**

## Warranty

**Exit:** Full coverage against defects in materials and workmanship from date of shipment for the specified life of the sign (10, 15 or 20 years).