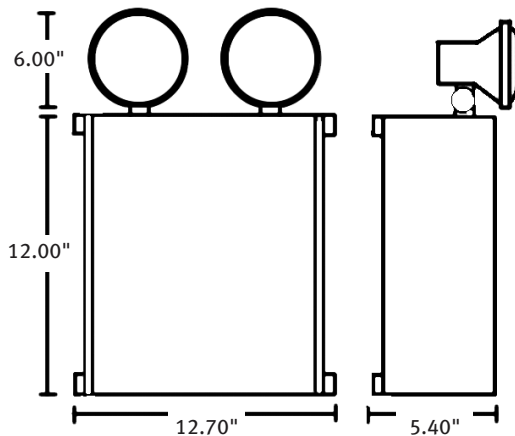


**BENEFITS & FEATURES**

- NEMA12X rating
- 20 gauge steel cabinet.
- Fully gasketed and hinged front access panel to allow trouble-free installation and maintenance
- Industrial grey powder coat finish is standard
- PAR36 top mounted heads
- Magnum terminal connectors allow for larger gauge wires
- Integral mounting feet for positive and secure installations
- Suitable for wall, ceiling, and pendant mounting
- Pulse switching charger
- Low voltage disconnect
- Brownout and short circuit protection
- Dual diagnostic LED display indicates AC/ON and High Charge
- External push-to-test button
- Designed with maintenance-free, sealed valve regulated lead acid battery
- Provides a minimum emergency duration of 90 minutes
- Certified by ETL or CSA to UL924 standards

**DURABLE STEEL EMERGENCY LIGHT**

The NEMA 12 series of industrial emergency lighting units are designed for durability and dependability. The NEMA 12 gasketed steel housing can be used in areas that generate dust, lint, fibers, dripping water and condensation. The NEMA 12 is designed with the PulseGuard pulse switching charger. The PulseGuard offers superior performance and energy efficiency versus conventional constant voltage chargers. Traditional top mounted PAR 36 style heads are standard.


**LAMP SELECTION**

TYPE	OPTIONS	WATTS
<b>6V Tungsten</b>	Standard:	9W
	Halogen (H):	8W, 10W, 12W, 20W
<b>6V Sealed Beam</b>	Standard (SB):	9W, 12W, 18W
	Halogen (SBH):	12W, 20W
<b>12V Tungsten</b>	Standard	9W, 18W
	Halogen (H):	8W, 12W, 20W, 35W
<b>12V Sealed Beam</b>	Standard (SB):	12W, 18W
	Halogen (SBH):	8W

**ORDERING INFORMATION**

MODEL	DC VOLTAGE	CAPACITY	HEADS TYPE	LAMP TYPE	OPTIONS
JC	6	27 (6v)	2 = Double PAR 36	See Lamp Selector	SD = Self-Diagnostics
	12	36 (6v, 12v)	0 = No Heads		NC = NiCad Battery
		54 (6v, 12v)			V = Voltmeter
		72 (6v, 12v)			A = Ammeter
		100 (6v, 12v)			TD = Time Delay (Specify Volt)
					TP = Tamperproof Screws
					FP = Food Prep Lens
					MH = Metal Heads PAR 36
					IH = Internal Heater (Specify Volt)
					3CP = Cord Set

Ordering Example: JC-6-54-2-6VSB-9W-NC