

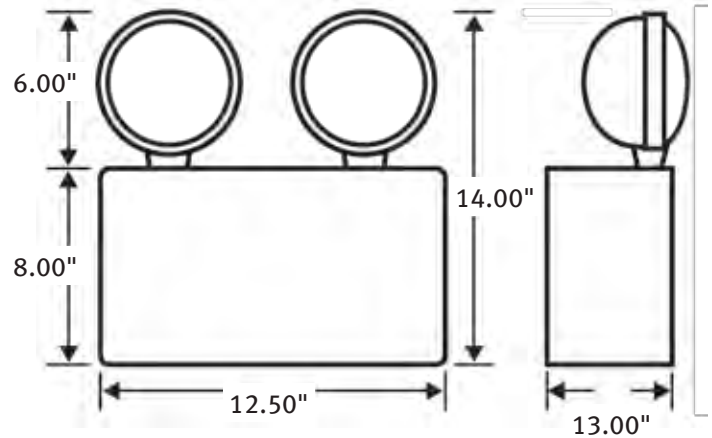


# 12KES Series - 12 Volt

High Wattage Emergency Light 12 Volt Emergency Operation



PROJECT: \_\_\_\_\_  
 FIXTURE TYPE: \_\_\_\_\_  
 LOCATION: \_\_\_\_\_  
 CONTACT/PHONE: \_\_\_\_\_



## PRODUCT DESCRIPTION

The KES Series High Wattage Emergency Lights are specifically designed with larger batteries to deliver remote capacity or longer emergency operation required in common commercial and industrial applications.

## PRODUCT SPECIFICATIONS

### CONSTRUCTION

Injection molded, engineering-grade, UV-stable thermoplastic – UL94V-0 flame rating – Impact, scratch, fade and corrosion-resistant – Rugged, heavy duty design – Off-White (neutral) finish.

### ELECTRICAL

Dual voltage 120/277VAC – Rated for use in damp locations (except SD versions). Solid state charging and switching – Brownout protection – Battery low voltage disconnect – Overload and short circuit protection – AC power indicator and test switch.

### LAMPS

Supplied with 12V, 9W incandescent wedge base lamps.

### BATTERY

Maintenance-free 6V sealed lead calcium battery connected in a series to deliver 12 V output – 50W version uses two batteries – 100W version uses four batteries – 50W and 100W versions will operate rated load for a minimum of 90 minutes in the event of a power outage – For longer emergency operating times up to 8 hours, connected load can be configured based on chart below.

### CODE COMPLIANCE

UL Listed, ETL Listed, NFPA 101 Life Safety Code compliant, NEC and OSHA compliant.

### WARRANTY

5-year warranty (see reverse for battery warranty). Product specifications subject to change without notice.

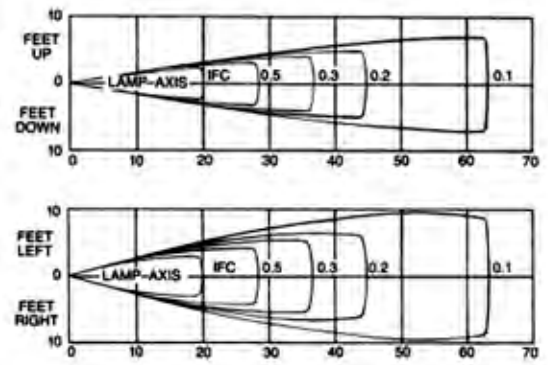
## INSTALLATION

### MOUNTING

Keyhole slots provided for simplified wall mounting.

## PHOTOMETRICS

6V 7.2W and 8.0 PAR 36 Sealed Beam



## 12KES-50 ENGINEERING DATA

INPUT VOLTS	MAX. AMPS	MAX. WATTS
120	0.15	17
277	0.07	18.3

## 12KES-100 ENGINEERING DATA

INPUT VOLTS	MAX. AMPS	MAX. WATTS
120	0.28	31.1
277	0.12	31.8

## BATTERY DATA

TYPE	BATTERY VOLTAGE	SHELF LIFE <sup>1</sup>	EXPECTED LIFE <sup>1</sup>	TEMPERATURE RANGE <sup>2</sup>
Lead Calcium	6V, 10 Ah	6 months	5-8 years	40°F-95°F

<sup>1</sup>At 77°F

<sup>2</sup>To obtain rated life capacity.

Lead Calcium battery warranted for one full year with additional 4 years pro-rated warranty. Recharges in 24 hours or less

## ORDERING INFORMATION—STANDARD UNITS

MODEL	FINISH	VOLTAGE	OUTPUT WATTS	LAMP 1.5HRS	RATED OUTPUT WATTS		
					2HRS	4HRS	8HRS
12KES-50	White	12V	2 x 9W	50	37	18	–
12KES-100	White	12V	2 x 9W	100	75	37	18

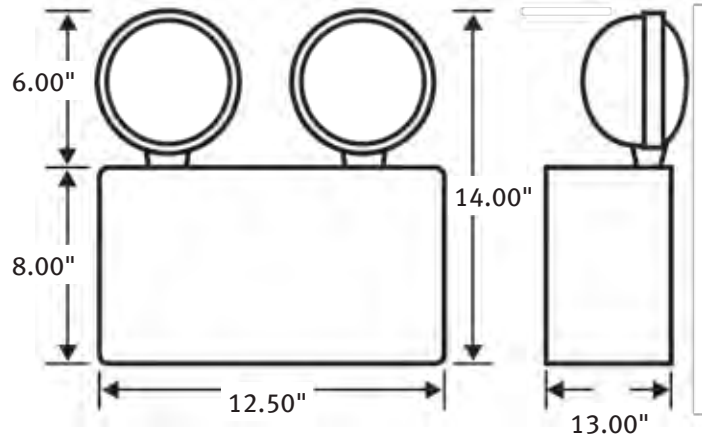


# KES Series - 6 Volt - KES

High Wattage Emergency Light 6 Volt Emergency Operation



PROJECT: \_\_\_\_\_  
 FIXTURE TYPE: \_\_\_\_\_  
 LOCATION: \_\_\_\_\_  
 CONTACT/PHONE: \_\_\_\_\_



## PRODUCT DESCRIPTION

The KES Series High Wattage Emergency Lights are specifically designed with larger batteries to deliver remote capacity or longer emergency operation required in common commercial and industrial applications.

## PRODUCT SPECIFICATIONS

### CONSTRUCTION

Injection molded, engineering-grade, UV-stable thermoplastic – UL94V-0 flame rating – Impact, scratch, fade and corrosion-resistant – Rugged, heavy duty design – Off-White (neutral) finish.

### ELECTRICAL

Dual voltage 120/277VAC – Solid state charging and switching – Brownout protection – Battery low voltage disconnect – Overload and short circuit protection – AC power indicator and test switch.

### LAMPS

Supplied with 6V, 7.2W incandescent wedge base lamps.

### BATTERY

Maintenance-free 6V sealed lead calcium battery – 50W version uses two batteries – 100W version uses four batteries – 50W and 100W versions will operate rated load for a minimum of 90 minutes in the event of a power outage – For longer emergency operating times up to 8 hours, connected load can be configured based on chart below.

### CODE COMPLIANCE

UL Listed – ETL Listed – NFPA 101 Life Safety Code compliant – NEC and OSHA compliant.

### WARRANTY

5-year warranty (see reverse for battery warranty). Product specifications subject to change without notice.

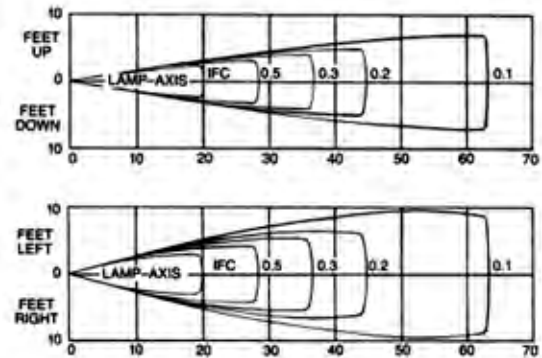
## INSTALLATION

### MOUNTING

Keyhole slots provided for simplified wall mounting.

## PHOTOMETRICS

6V 7.2W and 8.0 PAR 36 Sealed Beam



## KES-50 ENGINEERING DATA

INPUT VOLTS	MAX. AMPS	MAX. WATTS
120	0.14	15.6
277	0.04	15.9

## KES-100 ENGINEERING DATA

INPUT VOLTS	MAX. AMPS	MAX. WATTS
120	0.20	23.0
277	0.09	23.1

## BATTERY DATA

TYPE	BATTERY VOLTAGE	SHELF LIFE <sup>1</sup>	EXPECTED LIFE <sup>1</sup>	TEMPERATURE RANGE <sup>2</sup>
Lead Calcium	6V, 10 Ah	6 months	5-8 years	40oF-95oF

<sup>1</sup>At 77°F

<sup>2</sup>To obtain rated life capacity.

Lead Calcium battery warranted for one full year with additional 4 years pro-rated warranty. Recharges in 24 hours or less

## ORDERING INFORMATION—STANDARD UNITS

MODEL	FINISH	VOLTAGE	OUTPUT WATTS	LAMP 1.5HRS	RATED OUTPUT WATTS		
					2HRS	4HRS	8HRS
KES-50	White	6V	2 x 7.2W	50	37	18	–
KES-100	White	6V	2 x 7.2W	100	75	37	18