

REMOTE CAPABILITY EMERGENCY LIGHT

The KES Series of commercial/industrial emergency lighting units combines a contemporary appearance with state-of-the-art electronics. The KES is an effective, functional unit, available with high capacity maintenance-free batteries for environments requiring remote capability or extended operating times.

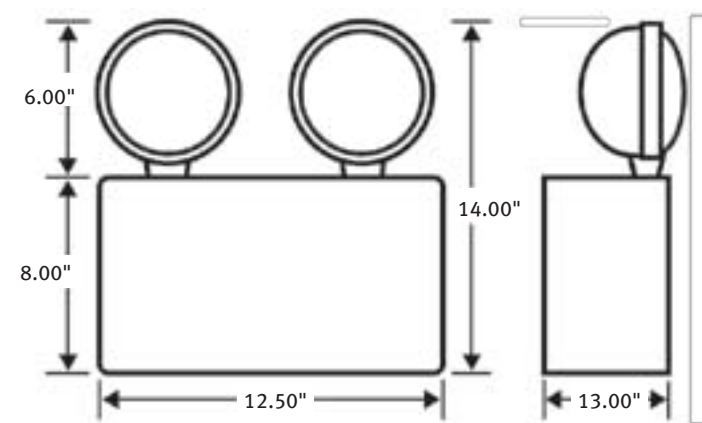


BENEFITS & FEATURES

- Completely self-contained
- Fully automatic, 90-minute operation minimum
- Low voltage disconnect
- Dual voltage 120/277 with surge-protected circuitry
- Premium grade, maintenance-free battery
- Provides a minimum emergency duration of 90 minutes
- Environmentally coated, solid state charger
- AC lockout and brownout protection
- Standard with two fully adjustable, glare-free lamp heads
- Durable housing with neutral finish
- Charge rate/power on LED indicator light
- Push-to-test switch
- Damp Location
- UL listed

LAMP SELECTION

TYPE	OPTIONS	WATTS
6V Tungsten	Standard:	7.2W, 9W
	Halogen (H):	8W, 10W, 12W
6V Sealed Beam	Standard (SB):	9W, 12W
	Halogen (SBH):	12W
12V Tungsten	Standard:	9W, 18W
	Halogen (H):	8W, 12W
12V Sealed Beam	Standard (SB):	12W, 18W
	Halogen (SBH):	8W



ORDERING INFORMATION

MODEL	VOLTAGE	WATTS	# OF HEADS	OPTIONS
KES	6 (volt DC)	27 (6V)	2 = Double PAR 36	SD = Self-Diagnostics
	12 (volt DC)	36 (6V, 12V)	0 = No Heads	NC = NiCad Battery
		54 (6V, 12V)		V = Voltmeter
		72 (6V, 12V)		A = Ammeter
		100 (6V, 12V)		TD = Time Delay (Specify Volts)
				WG = Wire Guard

Ordering Example: KES-12-54-2-12VH-18W-WG