

LOW PROFILE EMERGENCY LIGHT

The Radius Series Emergency Light units meet the design needs of today's specifier. Combining innovative design with reliable solid state electronics, the Radius Series has the look and performance demanded by today's building environment. The unique snap-together construction and easy-to-adjust lamps make this unit easy to install, maintain and service.

BENEFITS & FEATURES

- Low profile, contoured design
- UV stable thermoplastic housing
- Aimable light heads with high output MR16 lamps
- Universal mounting for simple installation
- Dual voltage 120/277 standard
- Sealed maintenance-free lead calcium battery
- Quick snap construction
- Solid state charger
- Automatic, low voltage disconnect
- Charge rate/power on LED indicator
- Push-to-test switch
- Remote capable models available
- Reduced maintenance cost
- Unobtrusive protection
- 90 minute minimum emergency run time
- UL listed



MR-1

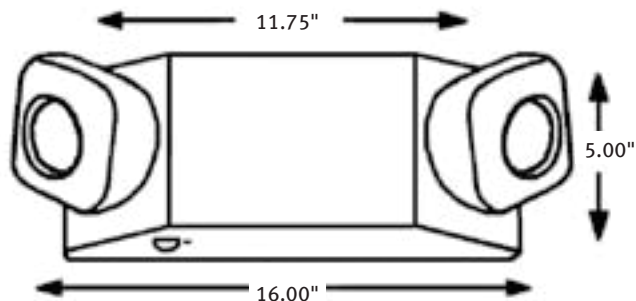


MR-2

ACCESSORIES

ACCESSORY	DESCRIPTION
WG6	Wire Guard
MR-1	Single Remote Head with Plate
MR-2	Double Remote Head with Plate
VRS3	Vandal Resistant Shield

Add suffix to model or order separately



ORDERING INFORMATION

MODEL	WATTS	OPTIONS
MRD	11	SD = Self-Diagnostics
	22	NC = NiCad Battery
		BL = Black Housing

Ordering Example: MRD-22-WG6