

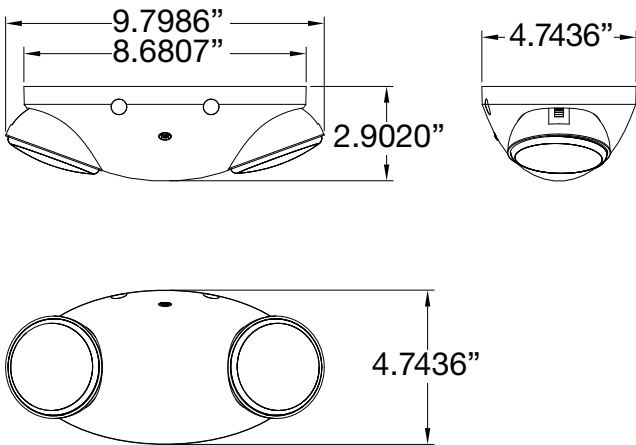
EMERGENCY LIGHTING SERIES

Thermoplastic Micro Adjustable Emergency Light

Contemporary design, fully adjustable, quick installation and premium options in a stylish and economical package.



DIMENSIONS



FEATURES

- Injection-molded, high impact, UL94 V-0 Thermoplastic
- Snap-together construction speeds installation
- Universal mounting plate with quick-connect feature
- Universal J-box pattern
- Fully adjustable glare-free lighting heads
- White housing is standard, with an optional black housing available
- LED expected life is more than 10 years
- Vf (V) for lamp head LED is max. 3.6V, 20mA, max. wattage is 0.072W
- Dual-voltage input 120V or 277V AC operation
- Emergency unit provided with test switch
- Status indicator lamp
- Maintenance free sealed 3.6V Ni-Cad rechargeable battery which provides 90 minutes of emergency power
- UL 924 listed
- UL indoor damp location listed standard, 68°F (20°C) to 86°F (30°C)
- National Electrical Code (NEC)
- Five-year warranty

ELECTRICAL SPECIFICATIONS

Model	Current(mA)/Power(W)	
	@120VAC,60Hz	@277VAC,60Hz
PAC0435X	103/0.85	105/0.80
PAC0435XH	103/0.85	105/0.802
PAC0435XHRC	103/0.85	105/0.802
PAC0435XHSD	56/4.5	28/4.9
PAC0435XHRCSD	58/4.6	29/5.0

RUN TIME CHART OF REMOTE CAPABLE PAC0435

Remote Head QTY	0	1	2	3	4
Hrs of Operation	3 Hrs	2 Hrs	1.5 Hrs	N/A	N/A

ORDERING INFORMATION

Series	Housing Finish	LED	Capability	Function
PAC0435	W = White B = Black	Blank = Standard H = High Brightness	Blank = No Remote Load Capability RC = Remote Load Capability	Blank = Standard SD = Self Diagnostic

NOTE: Remote Capable and Self-Diagnostic only available in High Brightness Units