



TYPE _____
 CATALOG# _____

NLT

Through Wall Interior Step, Corridor, and Walkway Light with White L.E.D.'s

SPECIALTY PRODUCTS

DESCRIPTION

Recessed through-wall night lighting with optimal faceplate design and long-lasting low-energy consumption. LED technology provides 10 plus years of maintenance-free illumination with optional battery backup.

HOUSING

Galvanized steel with 7/8" knockouts conveniently located to accommodate all installation requirements. Factory pre-assembled and supplied with all necessary mounting brackets/straps needed for all applications. Box is completely finished in high reflectance white (85%) powder coat.

FACEPLATES

Brushed aluminum standard finish. The soft contoured design features Opal Lens, Straight or Slant Louver designs. A variety of finishes are available.

ILLUMINATION

12 White LEDs can be used as a direct or indirect lighting source. Battery backup integral to unit and provides 90 minutes of operation upon loss of AC power. Battery is Nickel Cadmium. All units are factory wired, assembled and shipped complete with LED's.

POWER

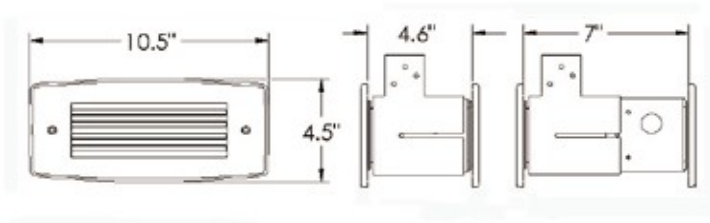
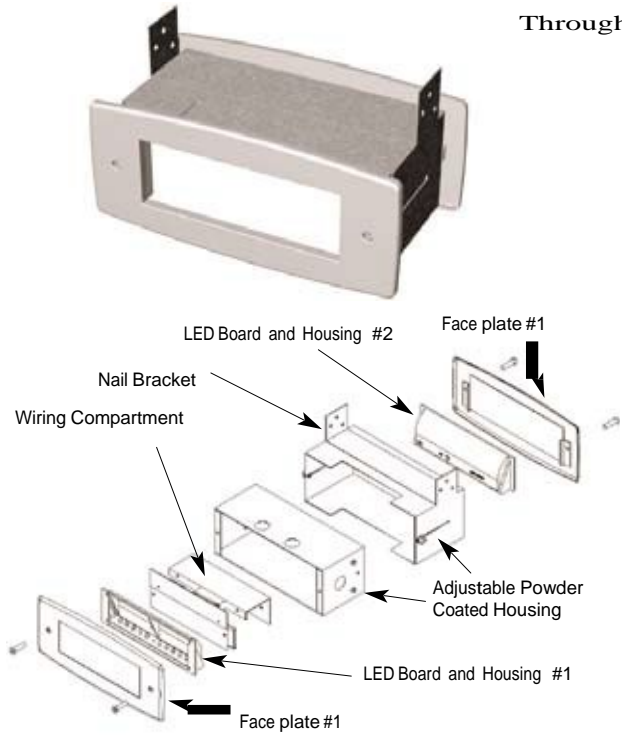
Standard 120/277 VAC Input Draws a maximum of 3 watts each

CODE COMPLIANCE

UL listed 1598

WARRANTY

5 years standard fixture with 7 year pro rated on battery where applicable.



FL Full Opal Lens



AL Angled Louver



SL Straight Louver

NLT Model

Faceplate	Finish	Factory Installed Options
FL* = Full Opal Lens AL = Angled Louver SL = Straight Louver * Includes Opal Poly Lens Note: Two of Each Face Plates Included	BA* = Brushed Aluminum W = White B = Black BR = Bronze * Standard	EM = Battery Backup TPS = Tamper-proof Screws TPSD = Tamper-proof Screw Driver

