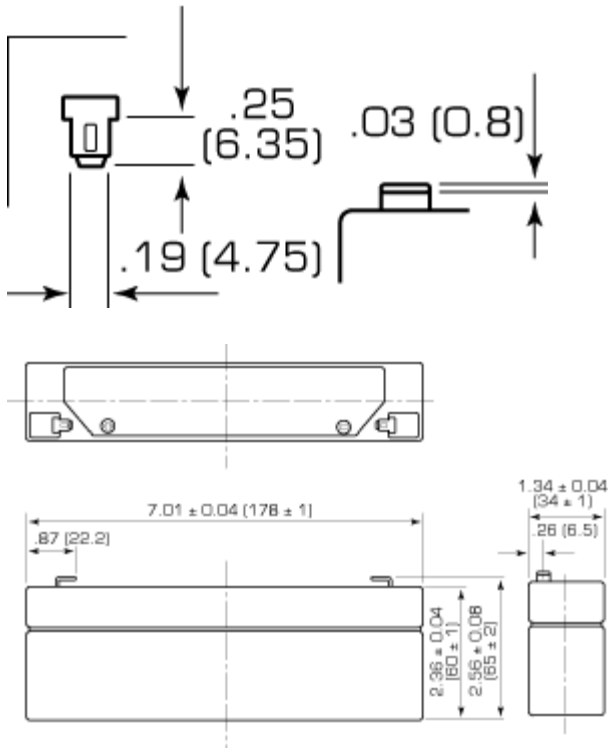


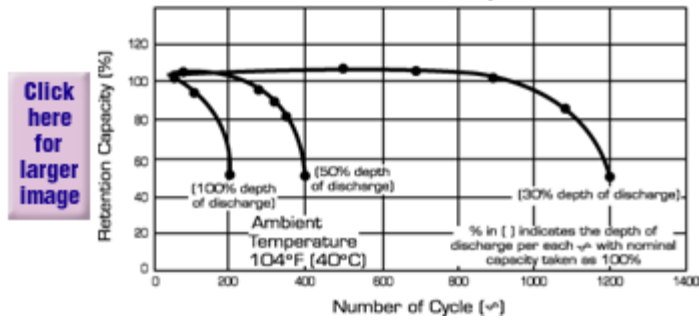
**PE12V2.2****Dimensions****Rechargeable Sealed Lead Acid Battery****Specifications**

<b>1</b>	<b>Nominal Voltage</b>	12V
<b>2</b>	<b>Nominal Capacity</b>	0.05C (.11A to 10.50V) 2.2 AHr 0.1C (.22A to 10.50V) 1.98 AHr 0.2C (.44A to 10.20V) 1.72 AHr 1C (2.2A to 9.00V) 1.44 AHr
<b>3</b>	<b>Weight (Approx.)</b>	2.15 lbs. (0.93 kg)
<b>4</b>	<b>Dimensions</b>	Length 7.01" (178mm) Width 1.34" (34mm) Height 2.35" (60mm) Total Height 2.55" (65mm) includes terminals
<b>5</b>	<b>Internal Resistance of fully charged battery</b>	55 milliohms
<b>6</b>	<b>Energy Density (0.05C)</b>	1.19 Watt-hours/cubic inch (72.7 Watt-hours/ )
<b>7</b>	<b>Specific Energy (0.05C)</b>	12.9 Watt-hours/pound (28.4 Watt-hours/ )
<b>8</b>	<b>Maximum Discharge Current with standard terminals</b>	13.2 amperes
<b>9</b>	<b>Maximum Short Duration Discharge Current (less than 5 sec.)</b>	33 amperes
<b>10</b>	<b>Vibration Test</b>	(2000 cycles/minute, 0.10 inch excursion, 2 hours) No loss in capacity or performance
<b>11</b>	<b>Charge Retention (shelf life)</b>	% of nominal capacity at 77°F (25°C)  1 month 97% 3 months 91% 6 months 85%
<b>12</b>	<b>Operating Temperature Range</b>	Charge 32°F (0°C) to 104°F (40°C) Discharge —4°F (—20°C) to 122°F (50°C) Storage —4°F (—20°C) to 104°F (40°C)
<b>13</b>	<b>Case Material</b>	Synthetic resin (ABS)
<b>14</b>	<b>Standard Terminal</b>	F1: AMP Faston type 187
<b>CHARGING METHODS</b>		
<b>CYCLIC USE:</b> Maximum Initial Charge Current: 1.75A Charging Voltage: 14.4V-14.7V Charge should be switched to float mode or disconnected when		

current drops to 70mA.

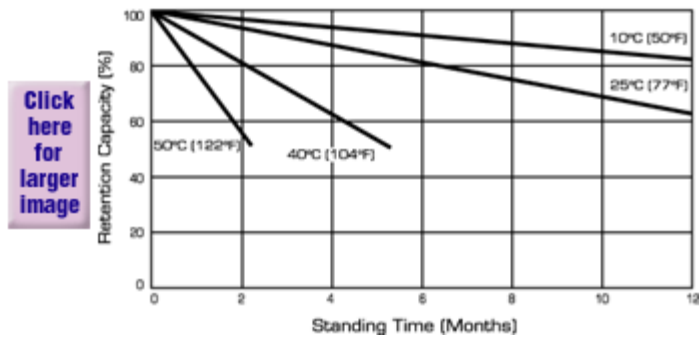
**STANDBY USE:**  
 Maximum Initial Charge Current: 1.75A  
 Charge Voltage: 13.5V-13.8V

Life Characteristics of Cyclic Use



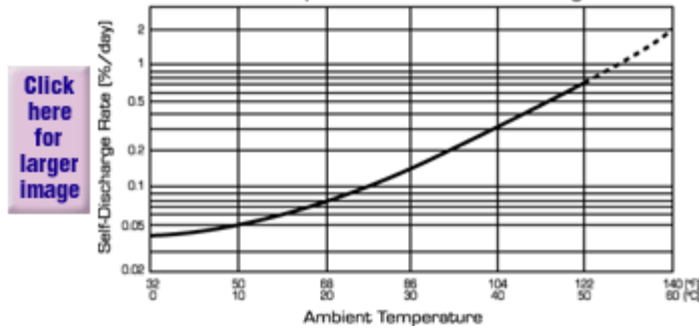
Click here for larger image

Shelf Life Characteristics



Click here for larger image

Effect of Temperature on Self-Discharge Rate



Click here for larger image

