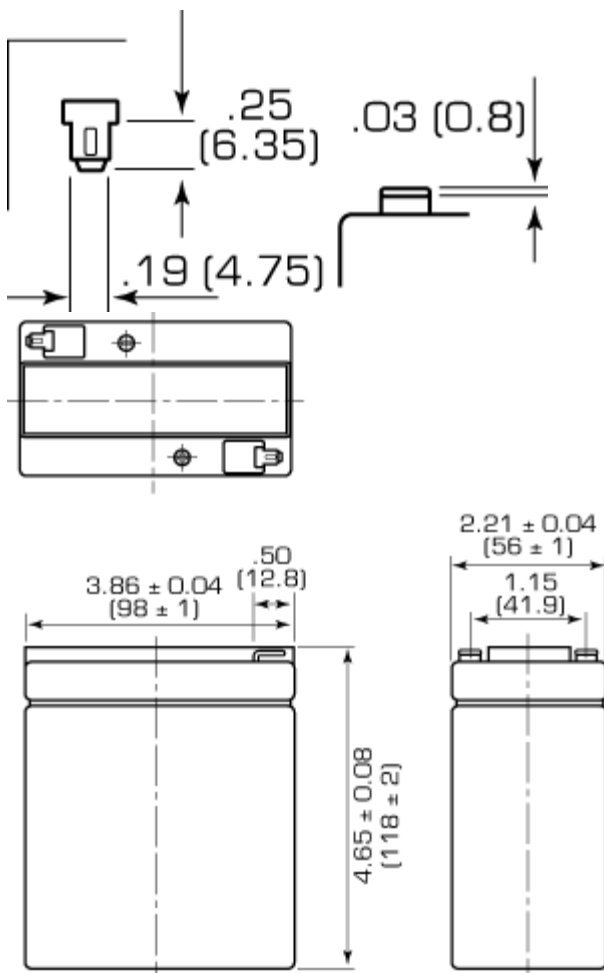


**PE6V8****Dimensions****Rechargeable Sealed Lead Acid Battery****Specifications**

<b>1</b>	<b>Nominal Voltage</b>	6V
<b>2</b>	<b>Nominal Capacity</b>	0.05C (0.40A to 5.25V) 8.00 AHr 0.1C (0.80A to 5.25V) 7.20 AHr 0.2C (1.60A to 5.10V) 5.24 AHr 1C (6.00A to 4.50V) 4.16 AHr
<b>3</b>	<b>Weight (Approx.)</b>	3.41 lbs. (1.52 kg)
<b>4</b>	<b>Internal Resistance of fully charged battery</b>	13 milliohms
<b>5</b>	<b>Energy Density (0.05C)</b>	1.19 Watt-hours/cubic inch (72.9 Watt-hours/ℓ)
<b>6</b>	<b>Specific Energy (0.05C)</b>	14.0 Watt-hours/pound (31.0 Watt-hours/ℓ)
<b>7</b>	<b>Maximum Discharge Current with standard terminals</b>	48 amperes
<b>8</b>	<b>Maximum Short Duration Discharge Current (less than 5 sec.)</b>	120 amperes
<b>9</b>	<b>Vibration Test</b>	(2000 cycles/minute, 0.10 inch excursion, 2 hours) No loss in capacity or performance
<b>10</b>	<b>Charge Retention (shelf life)</b>	% of nominal capacity at 77°F (25°C)  1 month 97% 3 months 91% 6 months 85%
<b>11</b>	<b>Operating Temperature Range</b>	Charge 32°F (0°C) to 104°F (40°C) Discharge —4°F (—20°C) to 122°F (50°C) Storage —4°F (—20°C) to 104°F (40°C)
<b>12</b>	<b>Case Material</b>	Synthetic resin (ABS)
<b>13</b>	<b>Standard Terminal</b>	F1: AMP Faston type 187

**CHARGING METHODS****CYCLIC USE:**

Maximum Initial Charge Current: 1.75A

Charging Voltage: 7.2V-7.35V

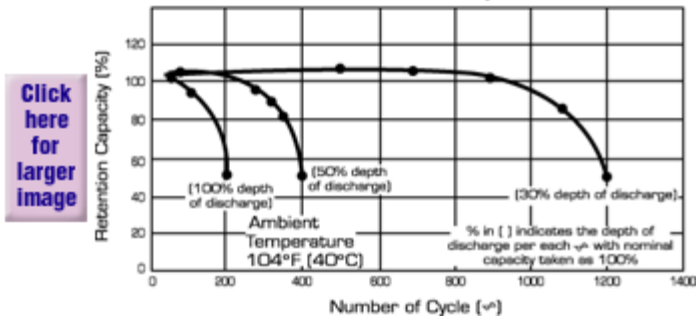
Charge should be switched to float mode or disconnected when current drops to 70mA

**STANDBY USE:**

Maximum Initial Charge Current: 1.75A

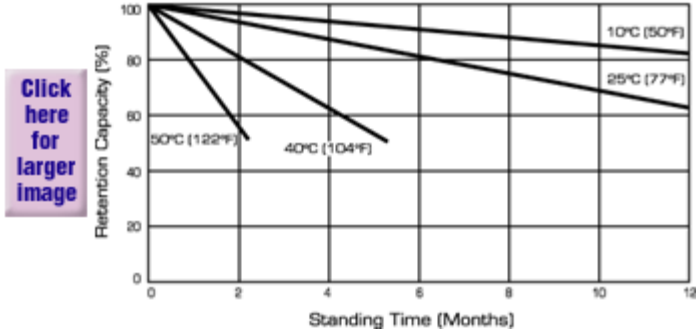
Charge Voltage: 6.75V-6.9V

### Life Characteristics of Cyclic Use



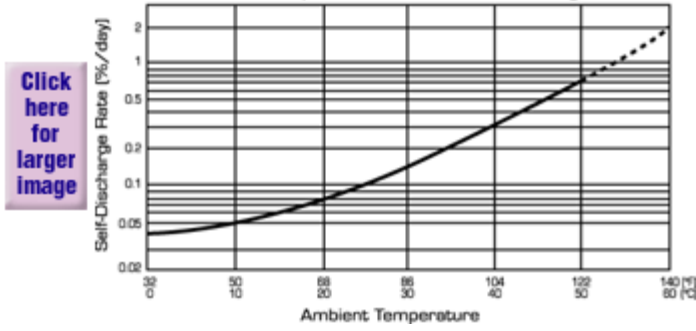
Click here for larger image

### Shelf Life Characteristics



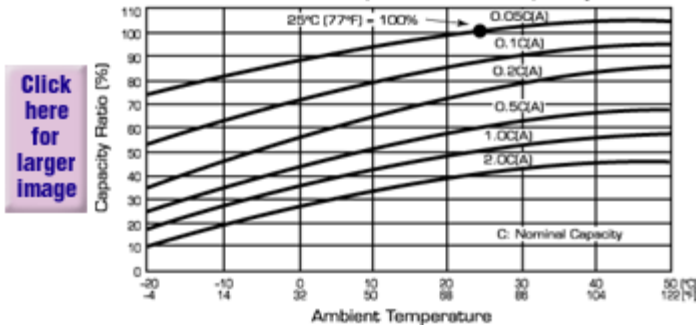
Click here for larger image

### Effect of Temperature on Self-Discharge Rate



Click here for larger image

### Effect on Temperature on Capacity



Click here for larger image