

PHR-12300

12 Volt 80 AH @ 20-hr. rate

279 W/Cell @ 15-min. rate

Rechargeable Sealed Lead Acid Battery
PHR HIGH RATE SERIES



We've Got The Power.™



Features

- Superb high-rate discharge characteristics that ensure reliable performance in UPS applications for up to 10 years. UL recognized
- Flame retardant ABS case and cover to UL 94 V-0 for superior performance
- VRLA Absorbent Glass Mat (AGM) Technology guarantees safe operation without maintenance and “non-restricted article” status for transportation. Approved for transport by air. D.O.T., I.A.T.A. and F.A.A. certified.
- Precision plate pasting for higher consistency with 100% load testing to ensure uniform capacity
- Patented dual-paste process for enhanced active material bonding, and computer guided volumetric electrolyte control for precision filling
- Lead-calcium alloy grids and the use of high purity lead account for superior shelf-life characteristics

Performance Specifications

Nominal Voltage 12 volts (6 cells)

Nominal Power (15 min.) 279 W/Cell

Rated Capacity

20-hr. (4.0A to 10.50 volts) 80.0 AH
 10-hr. (7.5A to 10.50 volts) 75.0 AH
 8-hr. (9.0A to 10.20 volts) 72.0 AH
 5-hr. (12.9A to 10.20 volts) 64.5 AH
 1-hr. (45A to 9.00 volts) 45.0 AH
 15-min. (140A to 9.00 volts) 35.0 AH

Approximate Weight 58.4 lbs. (26.5 kg)

Internal Resistance (approx.) 7.5 milliohms

Max Discharge Current (5 Sec.) 600 amperes

Max Short-Duration Discharge Current (0.1 Sec.) 1500 amperes

Charging Voltage @ 77 °F (20 °C)

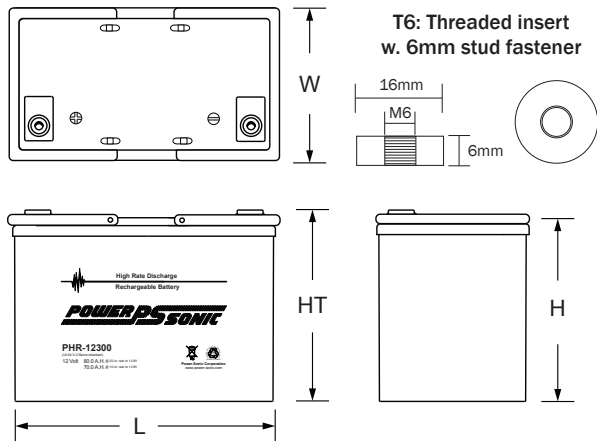
Standby Use 2.275 ± 0.025 V/Cell, (-3.3mV/°C/Cell)

Cycle Use 2.45±0.05 V/Cell, (-5 mV / °C/Cell)

Maximum Charging Current 22.5 A

Case Flame Retardant ABS Plastic (UL 94 V-0)

Physical Dimensions: in (mm)



L: 10.20 (259) W: 6.61 (168) H: 8.19 (208) HT: 8.94 (227)

Tolerances are +/- 0.04 in. (+/- 1mm) and +/- 0.08 in. (+/- 2mm) for height dimensions.

Constant Current Discharge (Amperes) at 25°C

Constant Power Discharge (Watts/Cell) at 25°C (Blue)

PHR-12300	5 min	10 min	15 min	20 min	30 min	45 min	1h	2h	3h	4h	5h	6h	8h	10h	20h
1.85V	157.44	123.74	105.23	88.09	70.03	53.02	43.36	24.00	19.00	15.50	12.50	10.90	8.84	7.55	4.12
1.80V	211.37	158.13	127.19	104.07	82.57	61.64	48.53	26.20	20.40	16.60	13.40	11.70	9.38	8.00	4.16
1.75V	238.28	173.77	138.92	112.01	85.79	63.94	50.83	27.20	20.80	16.90	13.80	12.00	9.54	8.08	4.20
1.70V	262.43	189.40	148.35	117.64	89.24	66.47	52.44	28.36	21.40	17.40	14.10	12.20	9.67	8.16	4.28
1.67V	283.55	202.43	156.99	124.63	93.90	67.99	54.00	29.01	22.23	17.95	14.46	12.46	9.79	8.31	4.33
1.65V	289.34	204.47	157.78	125.01	94.19	68.19	54.16	29.10	22.30	18.00	14.50	12.50	9.82	8.33	4.34
1.60V	319.13	221.95	168.70	133.17	99.36	71.07	56.12	30.00	23.00	18.50	15.00	12.80	9.92	8.42	4.36
1.85V	287.84	228.62	196.42	165.94	133.40	101.77	83.60	46.70	37.00	30.30	24.50	21.40	17.40	14.90	8.16
1.80V	382.37	288.76	234.14	193.31	155.02	117.53	93.26	50.60	39.60	32.20	26.20	22.90	18.50	15.80	8.23
1.75V	421.93	312.22	252.65	205.96	159.62	120.75	97.06	52.30	40.20	32.80	26.80	23.40	18.70	15.90	8.30
1.70V	451.72	332.58	266.00	214.82	165.14	125.12	99.82	54.20	41.20	33.60	27.40	23.90	19.00	16.10	8.45
1.67V	481.23	352.02	279.20	225.87	172.33	126.69	102.16	55.23	42.67	34.60	28.02	24.23	19.14	16.35	8.52
1.65V	491.05	355.58	280.60	226.55	172.85	127.07	102.46	55.40	42.80	34.70	28.10	24.30	19.20	16.40	8.55
1.60V	529.12	377.32	295.20	238.62	181.13	131.79	105.46	57.00	43.90	35.60	28.90	24.80	19.40	16.50	8.58