



Features

- Superb high-rate discharge characteristics that ensure reliable performance in UPS applications for up to 10 years. UL recognized
- Flame retardant ABS case and cover to UL 94 V-0 for superior performance
- VRLA Absorbent Glass Mat (AGM) Technology guarantees safe operation without maintenance and “non-restricted article” status for transportation. Approved for transport by air. D.O.T., I.A.T.A. and F.A.A. certified.
- Precision plate pasting for higher consistency with 100% load testing to ensure uniform capacity
- Patented dual-paste process for enhanced active material bonding, and computer guided volumetric electrolyte control for precision filling
- Lead-calcium alloy grids and the use of high purity lead account for superior shelf-life characteristics

Performance Specifications

Nominal Voltage 12 volts (6 cells)

Nominal Power (15 min.) 508 W/Cell

Rated Capacity

20-hr. (7.7A to 10.50 volts)	154.0 AH
10-hr. (14.4A to 10.50 volts)	144.0 AH
8-hr. (17A to 10.20 volts)	136.0 AH
5-hr. (24.1A to 10.20 volts)	120.5 AH
1-hr. (84A to 9.00 volts)	84.0 AH
15-min. (260A to 9.00 volts).....	65.0 AH

Approximate Weight 97.0 lbs. (44.0 kg)

Internal Resistance (approx.) 5.0 milliohms

Max Discharge Current (5 Sec.) 1080 amperes

Max Short-Duration Discharge Current (0.1 Sec.)..... 2700 amperes

Charging Voltage @ 77 °F (20 °C)

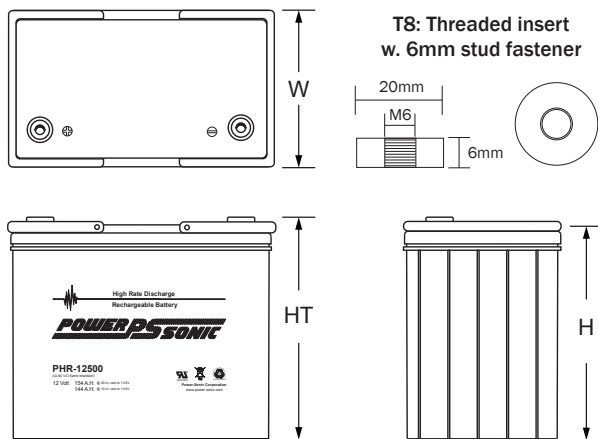
Standby Use 2.275 ± 0.025 V/Cell, (-3.3mV/°C/Cell)

Cycle Use..... 2.45±0.05 V/Cell, (-5 mV / °C/Cell)

Maximum Charging Current 40.5 A

Case Flame Retardant ABS Plastic (UL 94 V-0)

Physical Dimensions: in (mm)



L: 13.58 (345) W: 6.77 (172) H: 10.83 (275) HT: 10.94 (278)

Tolerances are +/- 0.04 in. (+/- 1mm) and +/- 0.08 in. (+/- 2mm) for height dimensions.

Constant Current Discharge (Amperes) at 25°C

Constant Power Discharge (Watts/Cell) at 25°C (Blue)

PHR-12500	5 min	10 min	15 min	20 min	30 min	45 min	1h	2h	3h	4h	5h	6h	8h	10h	20h
1.85V	265.76	208.95	177.67	148.58	118.10	89.35	73.14	40.50	32.00	26.20	21.10	18.40	14.90	12.70	6.95
1.80V	356.62	266.91	214.70	175.60	139.38	103.96	81.99	44.20	34.50	28.00	22.70	19.70	15.80	13.50	7.02
1.75V	402.16	293.25	234.48	188.94	144.67	107.87	85.79	45.90	35.10	28.60	23.20	20.30	16.10	13.60	7.09
1.70V	442.87	319.70	250.35	198.60	150.54	112.24	88.44	47.70	36.10	29.30	23.80	20.70	16.30	13.80	7.22
1.67V	478.52	341.55	264.78	210.39	158.34	114.65	91.15	48.85	37.49	30.21	24.43	21.04	16.55	14.06	7.30
1.65V	488.29	345.00	266.11	211.02	158.81	115.00	91.42	49.00	37.60	30.30	24.50	21.10	16.60	14.10	7.32
1.60V	538.54	374.55	284.63	224.71	167.67	119.83	94.76	50.70	38.80	31.30	25.30	21.60	16.70	14.20	7.36
1.85V	523.72	416.00	357.37	301.96	242.59	185.19	152.22	84.83	67.37	55.19	44.62	38.91	31.80	27.16	14.87
1.80V	695.40	525.21	425.92	351.67	281.88	213.70	169.57	91.94	72.11	58.64	47.64	41.61	33.52	28.78	14.98
1.75V	767.42	567.85	459.51	374.60	290.31	219.65	176.52	95.07	73.08	59.72	48.72	42.58	34.06	29.00	15.09
1.70V	821.59	604.91	483.81	390.84	300.47	227.59	181.60	98.63	75.02	61.12	49.91	43.44	34.49	29.32	15.41
1.67V	875.37	640.34	508.00	410.80	313.41	230.49	185.75	100.48	77.59	62.87	50.94	44.17	34.82	29.77	15.48
1.65V	893.24	646.81	510.46	412.04	314.36	231.18	186.31	100.78	77.82	63.06	51.09	44.30	34.92	29.86	15.52
1.60V	962.41	686.23	536.86	434.10	329.48	239.61	191.89	103.69	79.87	64.78	52.60	45.06	35.25	30.07	15.63