



# PYL12V150FT

12V 146Ah-8Hr



Proven in the real world, the PYL Series of telecom batteries provides security and long life in extreme climates where other VRLA batteries just don't survive. The PYL technology utilizes proprietary lead alloys and active material additives. The PYL Series is the most cost effective battery solution over the total life cycle and for initial installation in your network.

- Primary lead for Long Life
- UL94 V-0 flame retardant case
- High temperature, long life design
- AGM and spill-proof construction
- Harnesses/connecting bars available
- No maintenance required
- 10+ years design life
- SR-4228 compliant
- UL recognized
- ABS plastic case for durability

## SPECIFICATIONS

\* Maximum Charge Current is 25% of the 8 Hr. Rate

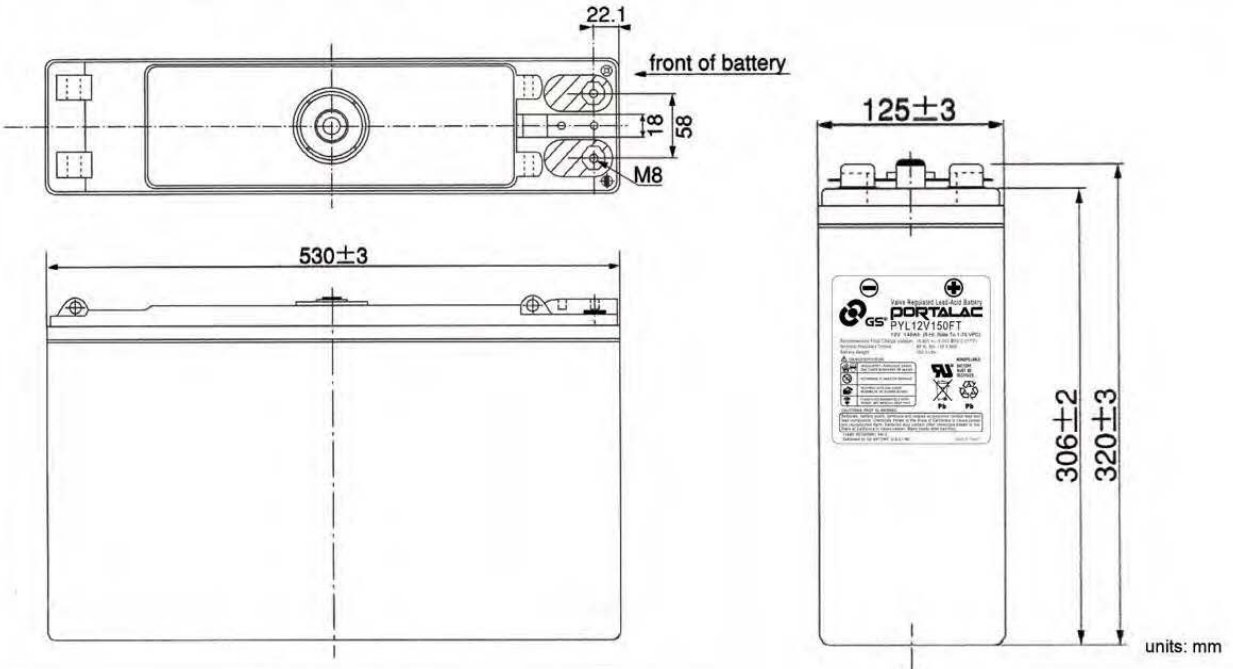
Nominal Voltage (V)	Rated Capacity Rate In Ah * 8 Hr	Ambient Temperature		Outer Dimensions								Weight		Terminal
		Charge / Discharge	Storage	L		W		H		TH		kg	lbs.	
				mm	in.	mm	in.	mm	in.	mm	in.			
12	146 Ah	-15 to 50°C (5 to 122°F)	-15 to 40°C (5 to 104°F)	530	20.9	125	4.9	320	12.6	320	12.6	60.0	132.3	Front-M8 Bolt

Amperes to Final voltage: 1.75V per cell @ 25°C (77°F)

DISCHARGE TIME (Hr)										
2	3	4	5	6	7	8	9	10	12	20
57.7	41.3	32.6	27.1	23.3	20.5	18.3	16.6	15.2	12.6	8.0

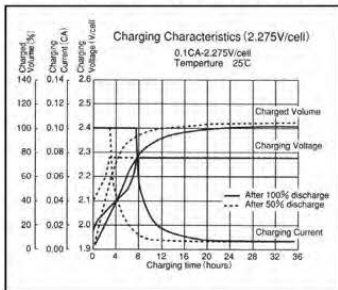
Watts to Final voltage: 1.75V per cell @ 25°C (77°F)

DISCHARGE TIME (Hr)										
2	3	4	5	6	7	8	9	10	12	20
624	471	376	314	274	239	212	194	178	149	94

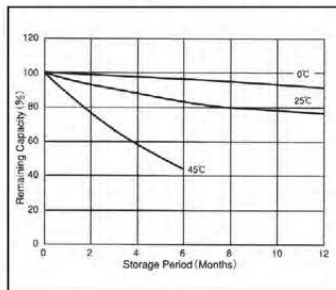


- **Float Charge Voltage:** 13.65V +/- 0.15V
- **Temperature Compensation:** The recommended compensation factor is -3mV/°C/cell. The standard center point for temperature compensation is 25°C.
- **Internal Resistance:** Approximately 3.5 mΩ measured with 1kHz AC bridge
- **Terminal Torque:** 43.4 in. lbs. (4.9Nm)

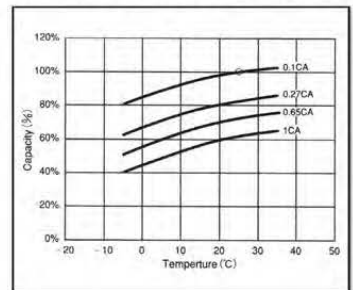
**Charging Characteristics (2.275V/cell)**



**Self-discharge Characteristics**



**Temperature and Discharge Capacity**



**Emergency Lite Service Center**  
 2525 Nevada Ave N Suite #308  
 Golden Valley, MN 55427  
 Phone (763) 542-3155  
 Toll Free 1-800-521-4045

E.L.S.C. is a distributor of  
**PORTALAC**  
**Batteries**

International Certification  
 (1).ISO 9001, TS16949  
 (2).UL approval, Code:MH12970