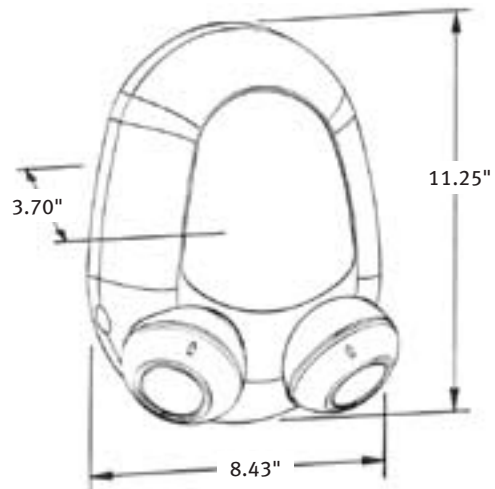


**LOW PROFILE EMERGENCY LIGHTS**

The Stylus Series Emergency Light units meet the design needs of today's specifier. Combining innovative design with reliable solid state electronics, the Stylus Series has the look and performance demanded by today's building environment. The unique snap-together construction and easy-to-adjust lamps make this unit easy to install, maintain and service.

**INCANDESCENT LAMP FEATURED****MR16 HALOGEN LAMP FEATURED****BENEFITS & FEATURES**

- Low profile, contoured design
- UV stable thermoplastic housing
- Aimable light heads with high output lamps
- Universal mounting for simple installation
- Dual voltage 120/277 standard
- Sealed maintenance-free lead calcium battery
- Quick snap construction
- Solid state charger
- Automatic, low voltage disconnect
- Charge rate/power on LED indicator
- Push-to-test switch
- Remote capable models available
- Reduced maintenance cost
- Unobtrusive protection
- 90 minute minimum emergency run time
- UL listed

**ORDERING INFORMATION**

MODEL	VOLTAGE	WATTS	OPTIONS
ST	6 (Volt DC)	12 (6V)	MR16 = MR16 Lamps
	12 (Volt DC)	36 (6V, 12V)	SD = Self-Diagnostics

Ordering Example: ST-6-12-MR16