

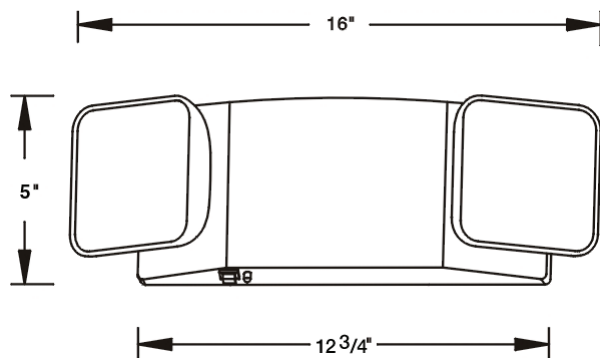
EMERGENCY LIGHTING SERIES

Thermoplastic Adjustable Emergency Lights

Contemporary design, full adjustability, quick installation and premium options in a stylish and economical package.



DIMENSIONS



FEATURES

- Injection-molded, high impact, UV-stabilized, UL 94 V-0 Thermoplastic
- Snap-together construction speeds installation
- Universal mounting plate with quick-connect feature
- Universal J-box pattern
- Fully adjustable glare-free lighting heads
- White housing is standard, with an optional black housing available
- Two 5.4W DC T5 wedge-base lamps for emergency light
- Dual-voltage input 120V or 277V AC operation
- Emergency unit provided with test switch, status indicator and rechargeable battery
- Maintenance-free, 6V sealed lead-acid battery, provides 90 minutes of emergency power
- Damp location listed
- Five-year warranty

ORDERING INFORMATION

Series	Battery	Finish	Options	Example Cat #
PAC0202	S = Small B = Big, remote capable	W = White B = Black	Blank = Regular Version SD = Self-Diagnostic	PAC0202SWSD

NOTE: All products UL listed and comply with latest codes and performance standards including UL924.