



UFO-LED Series

LED Emergency Battery Pack

FEATURES

Application

The UFO LED series battery pack inverter unit is designed to work in tandem with an AC ballast to power an LED luminaire in the event of interruptions or failures, eliminating the need to install additional emergency lighting units. The UFO-LED will operate the LED luminaire at full lumen output continuously for 90 minutes during an input power interruption. It can be used with normally-on, normally-off, or switched luminaires.

Construction

The UFO-LED enclosure and cover are constructed of heavy 22 gauge steel with a white paint finish. The unit contains a solid state charger with automatic transfer circuit, LED charge indicator light, and a high temperature Nickel-Cadmium battery.

Installation

The UFO-LED does not affect normal fixture operation and may be used with a switched or unswitched fixture. If a switched fixture is used an unswitched AC power supply must also be connected to the UFO-LED, and must be fed from the same branch circuit as the fixture's AC ballast. For remote installation, the UFO-LED may be installed up to 250 feet from the fixture.

Illumination

UFO-LED provides full lumen output during emergency illumination for a minimum of 90 minutes.

Compliances

UL 924 Damp Location Listed
NFPA 101 (Life Safety Code)
NFPA 70 (National Electrical Code)

Warranty

5 Years Full Warranty

Catalog Number	
Comments	Type



Remote test switch with charging indicator included

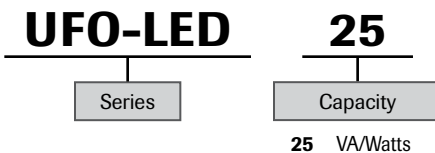
ACCESSORIES (ORDER SEPARATELY)

SPRTS Remote Test Switch/Charge Indicator Module^{1,2}

¹ Fits single-gang box

² Comes standard; additional may be ordered

ORDERING GUIDE





UFO-LED Series

LED Emergency Battery Pack

SPECIFICATIONS

Operation

Upon failure of normal power, the UFO-LED instantly begins providing emergency power to the connected lighting load for a minimum of 90 minutes. The power being provided directly to the LED driver is 120 or 277 VAC 60 Hz. A solid-state low voltage disconnect circuit protects the inverter battery from severe damage by deep discharge during prolonged power failures. When normal power is restored, the UFO-LED automatically returns to charge mode. The battery capacity is fully restored in 24 hours. Remote test switch with charging indicator is included.

Standard Features Include

- Can be used with switched or unswitched lighting fixture
- Remote test switch and LED charging indicator is included
- Maintenance-free Nickel-Cadmium battery
- Provides 90 minutes of full lumen emergency lighting
- Auto Select 120/277 VAC, 60Hz operation
- Battery case made of heavy 22-gauge steel

Operating Temperature Range

0° to 45°C (32° to 113°F)
20 VA/W only for 45°C-50°C (113°F-122°F)

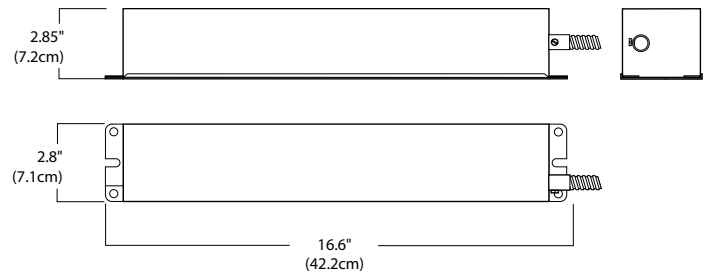
LED Luminaire Compatibility*

Brand	Product Series	Model	Maximum Luminaire Input Power (W)
Prescolite	Architektur	D2LED	25
		A2LED	
		D4LED3	
		D4LED4	
		D6LED3	
Prescolite	LiteBox	LB4LEDA	13.5
		LB6LEDA	
Prescolite	LiteFrame	LF4LED5	24
		LF6LED5	
		LF8LED5	
		LF4SQLED5	
		LF6SQLED5	
		6LCLED5 6LCLED6	
Progress	LED Recess	P8071	13.5
		P8080	
Cree	LR6	All models	14
Philips	Fortimo	1100	18.5

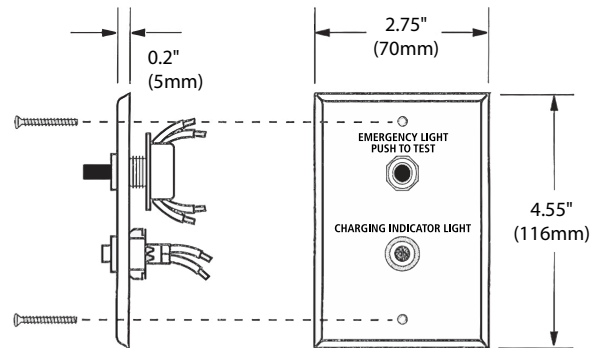
* The above list is not all inclusive and only represents products tested by Dual-Lite at the time of printing.

DIMENSIONS

UFO-LED25



Remote test switch with charging indicator
(Single-gang box by others.)



Catalog Number	Input/Output Voltage	Input Wattage	Max. Load VA/W (Unity Power PF)	Weight (lb)	Lamp Type
UFO-LED25	Auto Select 120 or 277VAC, 60Hz	9.5 Watts	25	5	LED