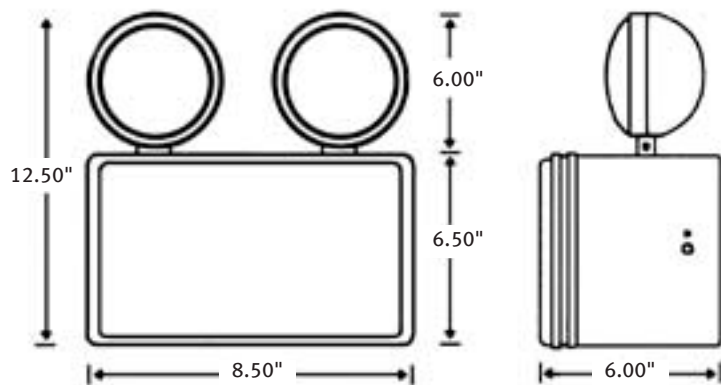


BENEFITS & FEATURES

- ABS, corrosion resistant UV Stabilized enclosure.
- Dual 120 or 277 VAC input, field selectable.
- Automatic brownout feature.
- Solid-state charging circuit.
- Solid-state line-latched low voltage disconnect provides 100% load disconnect protection to guard against battery deep discharge.
- Short circuit and overload protection on DC output circuit.
- Sealed momentary test switch.
- Sealed AC ready light.
- Sealed and gasketed housing with hinged cover
- Integral breather vent
- Extended mounting brackets for simple wall mounting
- Sealed and gasketed weatherproof lighting heads with tempered glass lenses
- Listed for wet location applications (0°C-40°C)
- Supplied with 6V, 7.2W Lamps
- Provides a minimum emergency duration of 90 minutes
- Certified by ETL or CSA to UL 924 standards.

WET LOCATION EMERGENCY LIGHT

The WLEM featuring an enclosure which is ideal for wet locations, resistant to corrosive atmospheres, non-hazardous dust environments and to water spray, splashing water, or where hose downs frequently occur.


ORDERING INFORMATION

MODEL	VOLTAGE	WATTS	HEADS	OPTIONS
WLEM	6 (volt DC)	18	2 = Double PAR 36	SD = Self-Diagnostics
		27	0 = No Heads	NC = NiCad Battery

Ordering Example: WLEM-6-27-2-SD