

## GENERAL DESCRIPTION

The Excel Series combines an appealing design, the latest in die-forming technology and high performance electronics to ensure reliability.

All components are located within the product housing for low profile mounting requirements. A matching die-formed steel canopy is available for ceiling mounted applications.

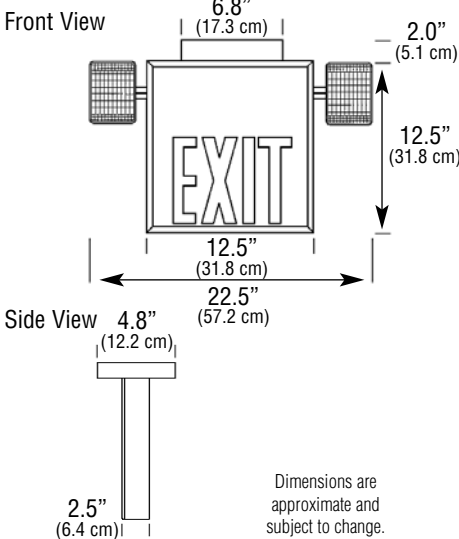
The standard product is supplied with (2) 6 VDC, 5.4 Watt lamp heads constructed from injection molded thermoplastic.

## ILLUMINATION

Illumination of the exit stencil face is accomplished with either red or green high output Light Emitting Diodes (LEDs). Hot spots and striations are eliminated by a combination of indirect and direct aiming points covering the exit stencil face.

Units are furnished with two 6 VDC, 5.4 watt side-mounted lamp heads utilizing a high intensity tungsten T-5 wedge base (#939) lamp.

## DIMENSIONS



# Excel Series

## Heavy Duty Steel Combination Exit/Emergency Units Emergency Operation with Side-Mounted Lamp Heads LED Illumination



SHOWN: XL12L1RW2H

## HOUSING

Constructed of three-piece, 20 gauge, cold rolled steel.

White powder coat finish is standard; Black is optional.

NFPA-type field selectable chevrons.

Universal knockouts located on the backplate allow for wall mounting directly to standard junction boxes. A mounting canopy is provided for top mount applications.

Slide-in/slide-out front and back stencils simplify single-to-double face conversions in the field. Side-mounted lamp heads are fully adjustable and are shipped completely assembled.

## ELECTRONICS

120/277 VAC dual voltage input with surge-protected, solid-state circuitry provides for a reliable charging system.

Charging system is complete with low voltage disconnect, AC lockout, brownout protection, AC indicator lamp and test switch.

The ACCU-TEST option includes a fault indicator LED and microprocessor circuitry that automatically indicates battery and charger status. An automatic monthly test assists user in meeting requirements of NFPA section 31-1

## ELECTRICAL SPECIFICATIONS

Red = 0.090A (120 VAC), 0.039A (277 VAC)  
Green = 0.090A (120 VAC), 0.039A (277 VAC)

## CODE COMPLIANCE

UL 924 listed

NFPA 101, NEC, BOCA, OSHA and IBC illumination standards

## WARRANTY

Three year full electronics warranty

One year full plus four year prorated lead calcium battery warranty

## BATTERY

Maintenance free, sealed lead calcium battery

Supplies 90 minutes of emergency power

Estimated service life of 5 years

Operating temperature range of 65°F (19°C) to 85°F (30°C)

Wattage available to support mounted or remote lamp heads is specified in the catalog number (i.e. 12L = 12W)

## ORDERING INFORMATION (EXAMPLE: XL12L1RW2H)

X	L						
<b>SERIES</b>	<b>LAMP TYPE</b>	<b>BATTERY</b>	<b>STENCIL FACES</b>	<b>LETTER COLOR</b>	<b>HOUSING/STENCIL FACE COLOR</b>	<b>LAMP HEADS*</b>	<b>FACTORY INSTALLED OPTIONS<sup>1</sup></b>
X = Excel Series Die-Formed Steel Exit	L = LED	12L = Sealed Lead Calcium, 12 W capacity 30L = Sealed Lead Calcium, 30 W capacity	1 = Single 2 = Double	R = Red G = Green	W = White Housing w/ White Stencil Face B = Black Housing w/ Black Stencil Face	NH = No Heads 1H = One Head 2H = Two Heads	AD = ACCU-TEST Self-Diagnostics <sup>3</sup> 2CKT1 = 120 VAC Two Circuit <sup>2</sup> 2CKT2 = 277 VAC Two Circuit <sup>2</sup> BF = Buzzer/Flasher (Emergency Operation Units Only) <sup>2</sup> BZ = DC Buzzer (Emergency Operation Units Only) <sup>2</sup> EX = Special Input Transformer (Specify voltage & frequency) FA = 24 VDC Fire Alarm Interface <sup>2</sup> FL = Emergency Flasher <sup>2</sup> SW = Special Wording/Graphics (Consult Factory)

**ACCESSORIES (order as a separate line item)**  
XCKITW = Canopy Kit, White  
XPKITW = Excel Series Exit Pendant Kit, 12", White finish (4)  
WG = Wire Guard for Combination LED Exit/Emergency

**NOTES:**  
1) Some option combinations may impact UL listing. Consult factory for specifics.  
2) Not available with AD option.  
3) Not able to wall mount with AD option.

# Specification Data for Excel Series Heavy Duty Steel LED Combination Emergency Exit

## HOUSING

Three-piece construction from 20 gauge, cold-rolled steel stock.

Easily removed knockouts in the rear of housing allow back/wall mounting to a standard 4" octagonal recessed junction box.

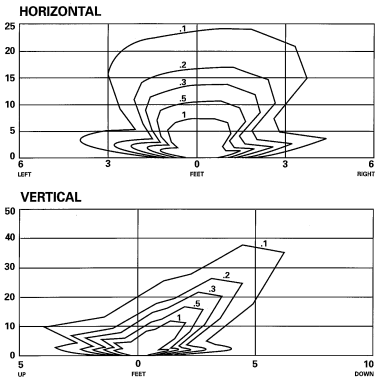
NFPA-type chevrons are field selectable and can be easily removed in the field for customized direct flow indication.

The mounting canopy is constructed of 20 gauge, cold-rolled steel, and is painted with a finish matching the housing. Both housing and canopy are painted with a high gloss powder coat finish.

The Excel Series housing can be wall mounted without the use of a mounting canopy. All ceiling mount configurations will require the use of a mounting canopy.

## ILLUMINATION

With units mounted approximately 8', 0" A.F.F. and spaced 20' on center, the lamp heads can be expected to properly illuminate a linear egress path with dimensions of 20' x 3'.



## SUGGESTED SPECIFICATION

Furnish and install Chloride's exit sign model \_\_\_\_\_. The exit shall be constructed to meet Underwriter's Laboratories, Inc. Standard #924 and the National Electrical Code (NEC).

**INSTALLATION AND OPERATION** - Exit shall be easily field connected to a 120 or 277 VAC, 60 hertz, unswitched power source. Installation must comply with the NEC as well as other applicable codes. Upon utility power failure or brownout, the unit shall automatically transfer to battery power and maintain the required illumination level for a minimum period of 90 minutes. Upon restoration of utility power, the charger shall restore the battery to full charge within UL 924 requirements following a rated discharge of not more than 90 minutes.

**CHARGER** - Product shall utilize a fully automatic, voltage regulated, solid-state charging system which will maintain the battery at full capacity without the need for periodic exercising or equalization. The following features shall be standard: Low voltage disconnect (LVD), brownout protection and AC lockout. Three year warranty provided.

**BATTERY** - The battery shall be a maintenance free, sealed lead calcium battery and shall provide trouble-free operation in temperatures up to 85°F (30°C). Lead calcium batteries are supplied with a one year full warranty.

**ILLUMINATION** - The Excel Series Die-Formed Steel LED exit signs shall incorporate high intensity LEDs. The LEDs shall be designed so that the unlikely failure of one LED will not affect the integrity of the total sign in the emergency mode. The Excel Series exit equipped with red LEDs shall consume no more than 0.090A. The Excel Series equipped with green LEDs shall consume no more than 0.090A.

**HOUSING** - The exit sign housing and canopy shall be constructed of 20 gauge die-formed cold rolled steel. The final housing and canopy finish shall be a white powder coat paint application. Stencil face chevrons shall be field selectable, and if left in place will not disturb the visual line of the exit face. Knockout removal for junction box mounting shall not require any special tools, and will allow for back to wall and ceiling mounting capability.

ALL SPECIFICATIONS SUBJECT TO CHANGE WITHOUT NOTICE.



**CHLORIDE**  
SYSTEMS

272 West Stag Park Service Road • Burgaw NC 28425  
Telephone: (910) 259 1000 • Facsimile: (800) 258 8803  
www.chloridesys.com

C1111R16  
6/09 IH

## ELECTRONICS

120/277 VAC dual voltage input with surge-protected, solid-state charging circuitry provides for a reliable charging system. The charging system is furnished with low voltage disconnect, AC lockout, brownout protection, AC indicator lamp and test switch.

The low voltage disconnect (LVD) feature will disconnect the battery prior to an unacceptable deep discharge, but not before the required 90 minute emergency operation.

The AC lockout feature prevents battery drain prior to the initial energizing of utility power, and allows the installer to complete all wiring and electrical connections without energizing the emergency circuit.

The brownout protection circuitry will automatically switch the unit into the emergency mode if the utility voltage sags below 20% of nominal.

Battery charging circuitry is entirely solid-state, and utilizes a fully automatic, voltage regulated charger. Battery recharge time after full discharge is less than the required UL 924 standard.

Line sensitive electronics cause an instantaneous transfer to battery power if utility power is lost, or a brownout condition is detected. When line voltage is present and stabilized, the transfer circuitry switches back to normal operation and begins recharging the battery. The transfer circuitry can be tested via a momentary test switch located on the housing.

## SELF-DIAGNOSTICS

The ACCU-TEST Self-Diagnostics option conducts automatic and manual tests, and indicates real time status of the lamp, battery and charger via LED indicator lamps. Automatic tests include: Systems analysis every 10 seconds, with actual load tests performed for a 3 minute duration every 30 days. A manual test is available from 1 to 90 minutes.

## BATTERY

A maintenance free, sealed lead calcium battery is standard. The battery is equipped with a quick connect plug assembly for easy installation and maintenance.

Standard sustained emergency operation is for 90 minutes with the LED illumination source providing full light output.

The suggested operating temperature range of 65°F (19°C) to 85°F (30°C) should provide a service life of 5 years.

## ELECTRICAL SPECIFICATIONS

Red = 0.090A (120 VAC), 0.039A (277 VAC)  
Green = 0.090A (120 VAC), 0.039A (277 VAC)

## CODE COMPLIANCE

The Excel Series Die-Formed Steel LED Exit meets or exceeds all performance standards as required by UL 924, NFPA 101, NEC, BOCA, OSHA and IBC.