

## GENERAL DESCRIPTION

Splendore is a state of the art architectural emergency lighting product based on high-output white LEDs. The normally on mode may be locally switched or dimmed and an optional two-circuit input is available for emergency illumination powered by a generator or inverter system. It is available in a wide range of decorative finishes to blend with any setting. Die cast exits with complementary finishes are also available.

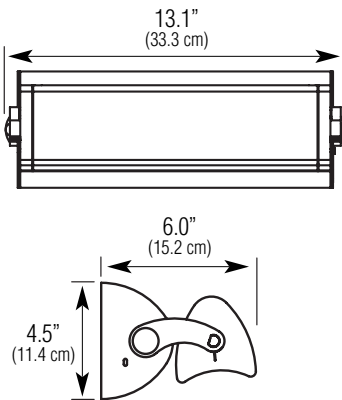
## ILLUMINATION

Illumination is provided by two 3 watt, white LEDs and a specular Miro 4 (Alanod™) aluminum reflector. The lamp head assembly may be rotated in five-degree increments over a range of 60 degrees for ideal distribution along the egress path. Splendore will provide one foot-candle average illumination over a 12' long path of egress for a single fixture and 26' centers for multiple fixtures. IES photometric data files are available, on our website.

## INSTALLATION

Splendore is designed to be wall mounted to a 3-1/2" octagonal junction box. Installation is quick and easy using simple two-piece snap together construction. The backplate is provided with convenient keyhole slots for mounting and a tamperproofing option is available.

## DIMENSIONS



Dimensions are approximate and subject to change.

# Splendore Normally On Architectural Egress Lighting

## Two Three-Watt Dimmable LED Lamps

## Two-Circuit Option For Emergency Lighting



## HOUSING

Robust die cast and extruded aluminum housing. A full range of pleasing architecturally inspired finishes are available (see below). Wall mount to standard 3-1/2" octagonal junction box.

## ELECTRONICS

120/277 VAC dual voltage input.

## ELECTRICAL SPECIFICATIONS

Input Power Requirements at 120 VAC  
120 VAC - 0.10 Amps - 11.73 Watts

Input Power Requirements at 277 VAC  
277 VAC - 0.04 Amps - 11.61 Watts

## MODES OF OPERATION

AC Only - Accommodates 120/277 VAC dual input. This model may be controlled by a wall switch or dimming circuit.

2CKT1 - Offers the AC-only input but includes a 120/120 utility and emergency feed from a generator or AC inverter system for egress lighting.

2CKT2 - Offers the AC-only feature but includes a 277/277 utility and emergency feed from a generator or AC inverter system for egress lighting.



SHOWN: SNON

## CODE COMPLIANCE

UL 924 listed

UL damp location listing standard

NFPA 101, NEC, BOCA, OSHA and IBC illumination standards

## WARRANTY

Three year full electronics warranty.

## OPERATING TEMPERATURE RANGE

-22°F (-30°C) to 104°F (40°C)

## ORDERING INFORMATION (EXAMPLE: SNON)

SNO

### SERIES

SNO = Splendore Normally On

### HOUSING COLOR

W = White  
B = Black  
A = Aluminum  
G = Gunmetal  
BR = Ornamental Bronze  
AC = Aged Copper  
VG = Velvet Green  
N = Nickel

Consult factory for other colors.

### INPUT VOLTAGE OPTIONS

Blank = 120/277 VAC  
No Emergency  
2CKT1 = 120/120 2 Circuit  
2CKT2 = 277/277 2 Circuit

### FACTORY INSTALLED OPTIONS

TP = Tamperproof

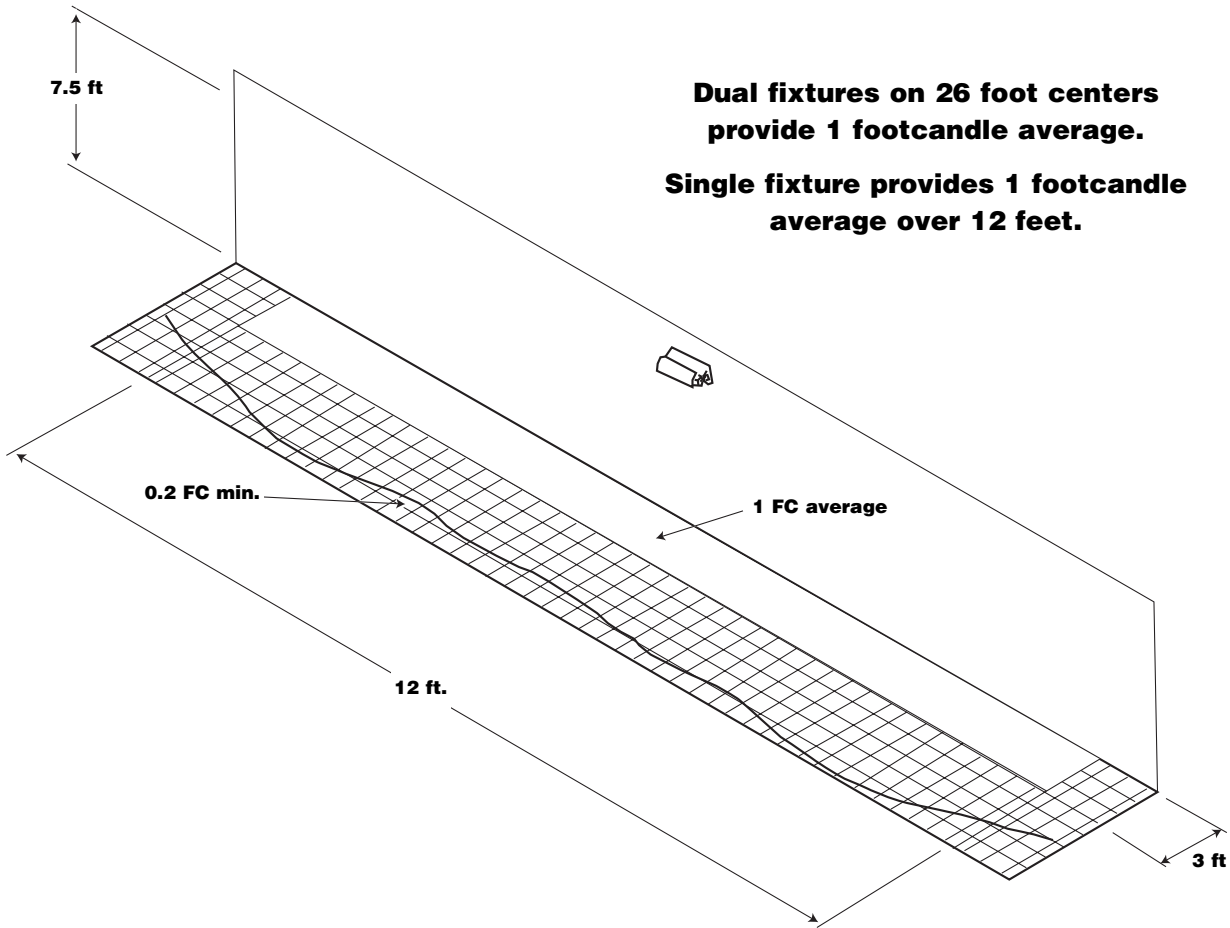
### ACCESSORIES (order as a separate line item)

T10TPTOOL = Tamperproof Tool with Bit

# Specification Data for Splendore Normally On Architectural Lighting Unit

## OPTICS\*

(Wall mounted 7 1/2' AFF)



\*The optics layout is intended to be used as reference only. Standard reflectances used were 80/50/20. Chloride is not responsible for site specific conditions that may alter the results.

## SUGGESTED SPECIFICATION

Furnish and install Chloride's lighting model \_\_\_\_\_. The unit shall be constructed to meet Underwriters Laboratories, Inc. Standard 924 and must be installed to conform to Article 700 of the National Electrical Code (NEC).

**INSTALLATION AND OPERATION** – Unit shall be easily field connected to a 120 or 277 VAC, 60 hertz, unswitched power source. Installation must comply with the NEC as well as other applicable codes. Optional 2-circuit inputs are available for egress lighting and powered by a generator or inverter system.

**ILLUMINATION** – Illumination shall be provided by an engineered Miro 4 reflector and two three-watt white LED lamps. The LED lamps shall be capable of being controlled by a wall switch or dimmer/dimming circuit. The two circuit option shall provide either a 120/120 VAC or 277/277 VAC dual circuit to accommodate normally on lighting applications with an available feed from a generator or AC inverter system for egress lighting. Emergency illumination is automatic when the auxiliary line is active and is independent of the load switch or dimmer setting.

**HOUSING** – Housing construction shall be of cast and extruded aluminum. The unit shall be available in multiple colors and finishes. The unit shall be wall mounted to a standard 3-1/2" octagonal junction box.



**CHLORIDE**  
SYSTEMS

272 West Stag Park Service Road • Burgaw NC 28425  
Telephone: (910) 259 1000 • Facsimile: (800) 258 8803  
www.chloridesys.com

C1364R7  
5/09 IH