

## GENERAL DESCRIPTION

The Symmetry Series II Thermoplastic Combination Emergency Exit is a simple, compact sign that is suitable for rear mount wall or ceiling installation. Adjustable lamps provide efficient emergency lighting, while the LED exit face provides even, highly visible illumination and direction toward egress areas. The Symmetry Series II will enhance the aesthetics of all retail, office, or commercial spaces, and is specifically designed to ensure ease of installation as well as provide years of low cost, efficient service.

## ILLUMINATION

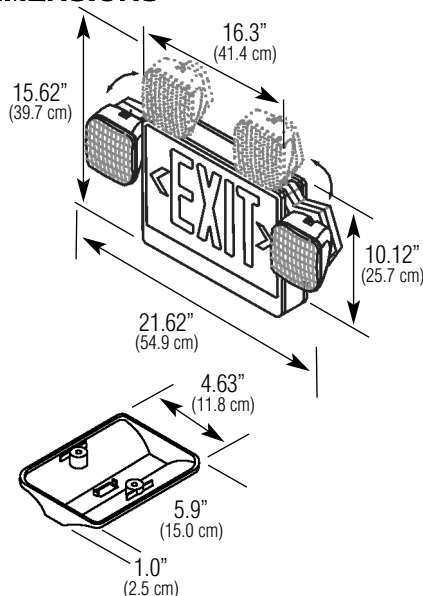
Emergency illumination is provided by two high performance lamp reflector systems integral to the product housing. Each lamp head can be placed on top, side or "in-between." The standard lamp reflector system incorporates a high intensity 5.4 watt, T-5 wedge base tungsten lamp.

Illumination of the exit face is accomplished with long lasting, high output Light Emitting Diodes (LEDs). No hot spots and striations.

## INSTALLATION

A labor saving snap together design eases installation. All models are supplied with two faces, a backplate and a canopy making this sign universal to most mounting configurations.

## DIMENSIONS



Dimensions are approximate and subject to change.

# Symmetry II Series

## Thermoplastic Combination Emergency Exits High Performance, Adjustable Lamps LED Illumination



SHOWN: ERC2

## HOUSING

Impact resistant, UL 94 5 VA thermoplastic housing with NFPA-type field selectable chevrons. Chevrons can be installed/removed from outside the exit housing.

Thermoplastic backplate is provided with mounting knockouts for easy installation to standard junction boxes.

Installation is further simplified by the use of snap-together backplate and housing.

Canopy is furnished with all models.

## ELECTRONICS

120/277 VAC dual voltage input with surge-protected, solid-state circuitry provides for a reliable charging system.

Charging system is complete with low voltage disconnect, AC lockout, brownout protection, AC indicator lamp and test switch.

## SELF-DIAGNOSTICS

Checks charger, LEDs, battery and transformer every five seconds

Automatic tests include: one minute test once a month and 30 minute test once every six months

Coded LED flash signifies failure type

## ELECTRICAL SPECIFICATIONS

### Self-Powered

- Red - 0.027A (120 VAC)
- 0.012A (277 VAC)
- Green - 0.030A (120 VAC)
- 0.013A (277 VAC)

## BATTERY

Maintenance free, sealed lead calcium battery provides 90 minutes of emergency power, and has an operating temperature range of 50°F (10°C) to 104°F (40°C).

## CODE COMPLIANCE

UL 924 listed

UL damp location listed

NFPA 101, NEC, BOCA, OSHA and IBC illumination standards

## WARRANTY

Three year full electronics warranty

One year full plus four year prorated lead calcium battery warranty

## ORDERING INFORMATION (EXAMPLE: ERC2)



### SERIES

E = Symmetry Series II Thermoplastic LED Exit Sign



### LETTER COLOR

R = Red LEDs  
G = Green LEDs



### BATTERY

C2 = Combination Emergency Exit



### FACTORY INSTALLED OPTIONS

AD = ACCU-TEST Self-Diagnostics  
XBAT = 12W Remote Capability <sup>1</sup>

### NOTES:

1) XBAT not available with AD Self-Diagnostics

# Specification Data for Symmetry Series II Thermoplastic LED Combination Emergency Exit

---

## **SUGGESTED SPECIFICATION**

Furnish and install Chloride's LED combination emergency exit sign model \_\_\_\_\_. The exit shall be constructed to meet Underwriter's Laboratories, Inc. Standard #924 and the National Electrical Code (NEC).

**INSTALLATION AND OPERATION** - Exit shall be easily field connected to a 120 or 277 VAC, 60 hertz, unswitched power source. Installation must comply with the NEC as well as other applicable codes. (Self-Powered Only) - Upon utility power failure or brownout, the unit shall automatically transfer to battery power and maintain the required illumination level for a minimum period of 90 minutes. Upon restoration of utility power, the charger shall restore the battery to full charge within UL 924 requirements following a rated discharge of not more than 90 minutes. The unit shall be damp location listed standard

**CHARGER (Self-Powered Only)** - Product shall utilize a fully automatic, voltage regulated charging system which will maintain the battery at full capacity without the need for periodic exercising or equalization. The following features shall be standard: Low voltage disconnect (LVD), brownout protection and AC lockout.

**BATTERY (Self-Powered Only)** - The battery shall be maintenance free, sealed lead calcium. Sealed lead calcium batteries shall provide trouble-free operation in temperatures up to 85° (30°C) and are supplied with a one year full warranty. The battery shall be factory installed.

**ILLUMINATION** - Illumination shall be provided by two fully adjustable reflector systems utilizing a high output tungsten lamp source. Lamp reflectors shall be constructed of a high efficiency lamp chamber which utilizes a 5.4 watt tungsten lamp. Exit sign illumination shall be indirect, and accomplished by utilizing high intensity LEDs. The LEDs shall be designed so that the unlikely failure of one LED will not affect the integrity of the total sign while in the emergency mode.

**HOUSING** - Housing construction shall be impact resistant UL 94, 5 VA rated thermoplastic. Product shall be furnished with a standard white finish. Units shall be designed to back mount or canopy mount to 3½", 4" octagon, or 4" square junction boxes and will be supplied with a knockout pattern to facilitate mounting. The housing and backplate, or housing, canopy and mounting plate (ceiling mounting) shall snap together, and shall be rigidly secured to the junction box via metal screws.

ALL SPECIFICATIONS SUBJECT TO CHANGE WITHOUT NOTICE.



**CHLORIDE**  
SYSTEMS

272 West Stag Park Service Road • Burgaw NC 28425  
Telephone: (910) 259 1000 • Facsimile: (800) 258 8803  
www.chloridesys.com

C1176R11  
5/09 IH