

EMERGENCY TRANSFER SWITCH FOR GENERATOR SUPPLIES



MODEL NO: _____
 TYPE: _____
 PROJECT: _____
 COMMENTS: _____

LAMPS OPERATED
 Will operate any lamp in the designated circuit for the duration of the generator supply.

DESCRIPTION:

The IOTA **ETS** Emergency Transfer Switch allows the use of auxiliary generator power on a switched fluorescent fixture in power failure situations. The **ETS** senses the loss of normal AC power and switches the AC ballast to the auxiliary generator supply. The **ETS** will operate the lamps at full light output for as long as the generator is able, and will work in conjunction with any lamp type and fixture on the generator circuit. Dimming ballasts require one ETS for each hot lead.

TECHNICAL SPECIFICATIONS

Input Voltage	(Dual) 120/277V, 60Hz
Input Current.....	250 mA
Maximum Switching Voltage	3 Amps @ 120V 3 Amps @ 277V
Circuit Protection	3A on Control Input 3A on Neutral and 120/277V Outputs
Emergency Operation.....	The ETS will operate any lamp type in the designated fixture for the duration of the generator supply
Initial Illumination	The ETS will operate the designated lamp at full light output
Weight	1.0 lbs.
Approval	UL Listed

PRODUCT ADVANTAGES

Full Light Output
 Allows Auxiliary generator power on a switched fixture

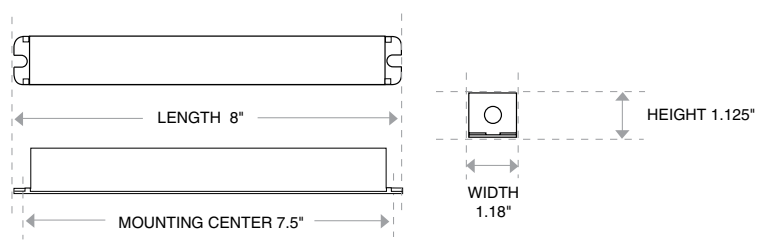
FEATURES

- UL Listed
- Will cold start and operate all specified lamps
- Galvanized steel case
- Dual Voltage 120/277V 60hz
- Available in flex or non-flex configuration
- Meets or exceeds all National Electrical Code and Life Safety Code Emergency Lighting Requirements
- 5-Year Warranty.** See Warranty Page for details.



CASE DIMENSIONS

8.0" x 1.18" x 1.125" (mounting center 7.5")



P.O. BOX 11846 TUCSON, AZ 85734
 (520) 294-3292 • FAX (520) 741-2837
www.iotaengineering.com

ETS

EMERGENCY TRANSFER SWITCH

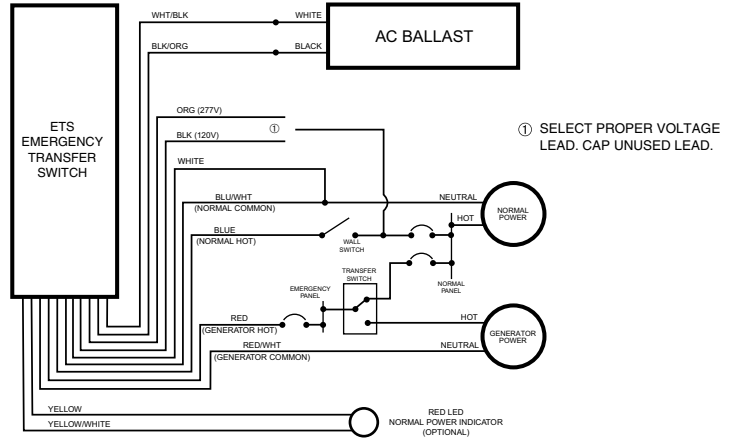
OPTIONS

CONFIGURATION

- ETS (NO FLEX)
- ETS-R (W/ FLEX)

WIRING DIAGRAMS

TYPICAL BALLAST/GENERATOR APPLICATION



TYPICAL DIMMING BALLAST/GENERATOR APPLICATION

