

DUAL LITE

# EXT-122-EM-K Series

Decorative emergency lighting gimbal fixture designed for easy recessed installation in suspended ceilings.



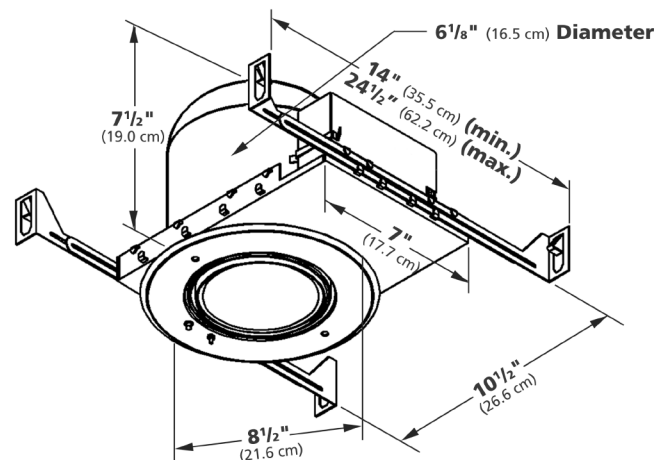
## Features

- Easy recessed installation in suspended ceilings
- Built-in hanger bar
- Completely self-contained
- Compact, low-profile design
- All metal housing and gimbal assembly
- Lamp adjusts in two planes to 26°
- High-output, halogen lighting head
- Maintenance-free, sealed, lead-acid battery
- 120/277VAC operation standard
- Fully automatic, solid-state charger
- Low voltage battery disconnect (LVD)
- Transformer isolation protection
- Test switch
- AC-On pilot light
- Fully automatic, 90-minute operation
- Operating Temperature Range: 20° to 30°C (68°F to 86°F)
- UL 924 Listed (Emergency Lighting)

## Product Selector

Fixture Type	Model Number	Description
	EXT-122-EM-K	Recessed emergency fixture
(✓)	<b>Accessories (order separately)</b>	
	WGLX	Wire guard

## Dimensions



Hubbell Lighting, Inc.

### Description

The Dual-Lite EXT-122-EM-K is an architecturally styled, completely self-contained emergency lighting fixture designed for easy recessed mounting in suspended ceiling applications. Unit construction consists of an extruded aluminum housing and formed aluminum gimbal assembly in ceiling white finish. A steel outlet box for making utility AC connections is provided as part of the unit's built-in, adjustable hanger bar assembly which attaches easily to ceiling T-grid members. The unit's battery/charger assembly installs by means of a single screw. Plug-together electronic connectors simplify hookup and reduce installation time. Unit electronics include a fully automatic, solid-state charger with low-voltage battery disconnect circuit, a test switch and a charge-rate pilot lamp. Emergency power source is a sealed, maintenance-free battery. The lamp head assemblies are directional and easily adjusted. EXT-122-EM-K units are approved for installation in air handling plenums.

### Operation

Emergency operation for 90 minutes is provided. It is fully automatic. The unit utilizes an SCR solid-state charger. Upon power failure, the unit is activated automatically. While in emergency operation, a DC voltage sensing circuit is designed to disconnect the lamps from the battery when the voltage drops below 80% of nominal. This protects the battery from damage which could result from a deep discharge. On restoration of utility power, the lamps are switched off and the charger begins a recharge cycle. It will bring the battery to full capacity within acceptable UL time standards. Charge rate is indicated by a pilot light and a test switch is provided to check emergency operation. Universal transformer allows either 120 or 277VAC operation. Power consumption is 15 watts maximum.

### Battery

**Type:** Maintenance-free lead-acid

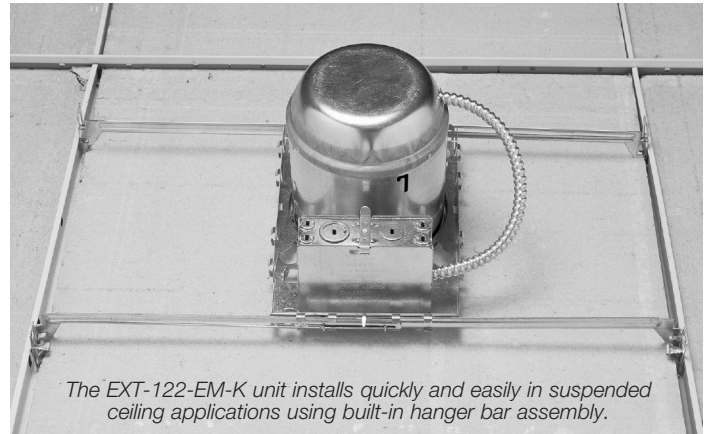
### Installation

The EXT-122-EM-K unit is designed for recessed mounting in suspended ceilings by means of a built-in, adjustable hanger bar assembly which attaches easily to ceiling T-grid members. An integral steel outlet box is supplied as part of the hanger bar assembly for making utility AC connections. The gimbal/lamp assembly attaches to the unit housing by means of two spring clips.

**Operating Temperature Range:** 20°C to 30°C  
(68°F to 86°F)

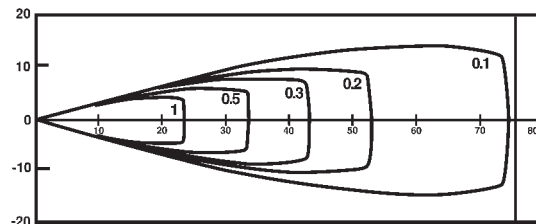
### Illumination

Standard illumination is provided using 6-volt, 8-watt, halogen, sealed beam lamp especially designed for emergency lighting. The usual design objective in emergency lighting is to provide a level of illumination sufficient to allow people to leave a building in the event of a power failure.



### Photometrics

**6-volt, 8 watt halogen SBT lamp**



Photometrics measured by independent testing laboratory

### Warranty

**Unit and Electronics:** 1 years full

**Battery:** 1 year full, 5 years pro-rata (6 years total)

### Suggested Specifications

Self-contained emergency lighting shall be provided by Dual-Lite recessed model EXT-122-EM-K constructed to conform to Underwriters Laboratories Standard 924. It shall be designed to provide automatic emergency lighting for a minimum of 90 minutes upon failure of normal electrical power.

Unit construction shall consist of an extruded aluminum housing, a formed aluminum gimbal trim and a hanger bar assembly. Gimbal/lamp assembly shall be adjustable in two planes to 26°. Unit shall be designed for installation in grid-type, suspended ceiling applications using a built-in hanger bar assembly. An integral steel outlet box shall be supplied as part of the hanger bar assembly for making utility AC connections. The gimbal/lamp assembly attaches to the unit housing by means of two spring clips.

Emergency power source shall be a fully rechargeable, maintenance-free, lead-acid battery. Electronics shall be of solid-state design and include a low-voltage battery disconnect circuit and fully-automatic charger. Unit shall be rated for 120/277VAC, 60 Hz. Controls shall include a test switch and AC pilot light. Illumination shall be provided by a 6-volt, 8-watt, high-output halogen, sealed beam type lamp.