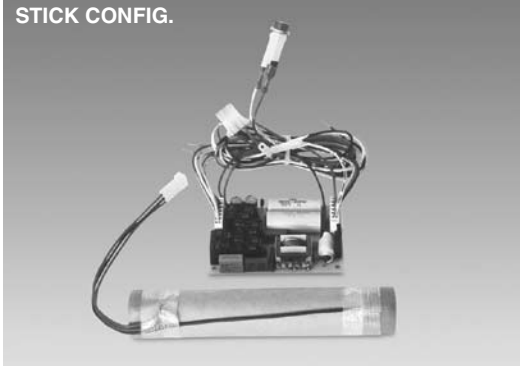


FOR 2-PIN COMPACT LAMPS

STICK CONFIG.



IN-LINE CONFIG.



TRIANGLE CONFIG.



MODEL NO: _____

TYPE: _____

PROJECT: _____

COMMENTS: _____

LAMPS OPERATED*

7, 9 & 13 Watt Twin Tube 2-pin with integral starter
9W-13W USA Quad 2-pin with integral starter

*Refer to Lumen Reference Chart for list of compatible lamps

DESCRIPTION:

The **I-13-L** Compact Fluorescent Emergency Ballast Kit is designed to allow shallow or unusually shaped fixtures (such as wall packs, sconces, and recessed stair fixtures) to be configured for normal and emergency operation. The unit consists of an open circuit board assembly and battery pack, which is offered in three profile options. In the event of a power failure, the **I-13-L** switches to the emergency mode and operates **one** of the existing lamps for **90 minutes**. The **I-13-L** can be used with most 7, 9, or 13 watt **2-pin** twin tube compact fluorescent lamps, with a total initial output of up to **650 lumens** for one lamp. The **I-13-L** is a U.L. Recognized Component for factory installation only.

TECHNICAL SPECIFICATIONS

Input Voltage.....	(Dual) 120/277V, 60Hz
Input Wattage	3.5 Watts
Lamps Operated.....	7, 9 & 13 Watt Twin Tube 2-pin with integral starter 9W-13W USA quad 2-pin with integral starter
Emergency Operation	90 minutes
Initial Illumination	650 lumens
Operating Temp	0° to 55° C
Battery	24 Hour Recharge 7-10 Year Life Expectancy
Weight	1.5 lbs.
UL Conditions of Acceptability.....	Must be factory wired

Battery temperature must not exceed 55° C



PRODUCT ADVANTAGES

Open Circuit Board Design for use in fixtures with limited space

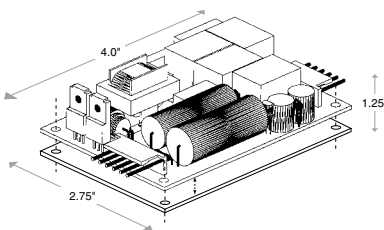
Three battery profiles available

FEATURES

- UL Recognized Component
- Will cold start and operate all specified lamps
- Long life high temperature recyclable Ni-Cad battery
- Includes test switch and charge indicator accessory kit
- For use with switched or unswitched fixtures
- 5-Year Warranty.** See Warranty Page for details.
- Meets or exceeds all National Electrical Code and Life Safety Code Emergency Lighting Requirements
- International Voltage Models Available

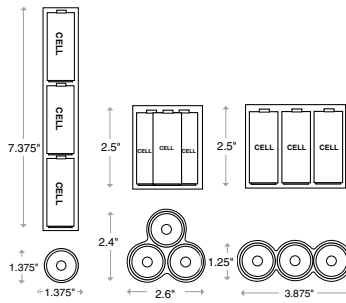
CASE DIMENSIONS

CIRCUIT BOARD



Height includes .25 inch stand-off

BATTERY CONFIGURATION



STICK TRIANGLE IN-LINE



P.O. BOX 11846 TUCSON, AZ 85734
 (520) 294-3292 • FAX (520) 741-2837

www.iotaengineering.com

I-13L

FLUORESCENT EMERGENCY BALLAST KIT

OPTIONS

CONFIGURATION

TWO-PIECE TEST SWITCH AND CHARGE INDICATOR

BATTERY CONFIGURATION

- STICK
 TRIANGLE
 INLINE

VOLTAGE RATINGS

- 120/277V 60HZ (STANDARD)
 220V 50HZ
 240V 60HZ
 120V 50HZ

AVERAGE LUMEN RATINGS

LAMP	1 LAMP
7W PL CF 2-pin	350
9W PL CF 2-pin	500
13W PL CF 2-pin	650