

P.O. BOX 11846 TUCSON, AZ 85734
(520) 294-3292 • FAX (520) 741-2837
www.iotaengineering.com

I-42-EM-J

TBTS SERIES AC
10W-42W RAPID START
4 PIN COMPACT LAMP
EMERGENCY LIGHTING EQUIPMENT

INSTRUCTION MANUAL

IMPORTANT SAFEGUARDS

When using electrical equipment, basic safety precautions should always be followed, including the following:

READ AND FOLLOW ALL SAFETY INSTRUCTIONS

1. **CAUTION** – To prevent electrical shock, do not mate unit connector until installation is complete and A.C. power is supplied to the unit.
2. **CAUTION** – This fixture provides more than one power supply output source. To reduce the risk of electrical shock, disconnect both normal and emergency sources by turning off the A.C. branch circuit and by disconnecting the unit connector.
3. **CAUTION** – This is a sealed unit. The integral, high temperature Ni-Cad battery is not replaceable. Replace the entire unit when necessary and recycle or dispose of the nickel-cadmium battery properly.
4. The **I-42-EM-J** is for use with grounded, UL Listed, indoor fixtures. Not for use in heated air outlets or hazardous locations.
5. The **I-42-EM-J** requires an unswitched A.C. power source of either 120 or 277 volts. Properly cap the unused A.C. lead.
6. When the **I-42-EM-J** is installed on the same branch circuit, refer to Illustration 1, Figures A and B for input wiring. When installed on separate branch circuits, refer to Illustration 1, Figures C and D for input wiring. Per NEC, the **I-42-EM-J** and A.C. ballast must be on the same panel board.
7. Do not mount near gas or electric heaters.
8. The **I-42-EM-J** should be mounted in locations and at heights where it will not readily be subjected to tampering by unauthorized personnel.
9. The **I-42-EM-J** will cold strike and operate *one* 10W through 42W, or *two* 10W through 18W, 4 pin Rapid Start compact fluorescent lamps. Contact customer service for additional lamp usage.
10. The **I-42-EM-J** is compatible with most electronic A.C. ballasts (including multiple lamps) as follows:
Electronic ballasts – one or two lamp emergency operation.
11. The use of accessory equipment not recommended by the manufacturer may cause an unsafe condition.
12. Do not use this equipment for other than intended use.
13. Install in accordance with the National Electrical Code and local regulations.
14. Installation and servicing should be performed by qualified personnel.
15. Lighting fixture manufacturers, electricians, and end-users need to ensure product system compatibility before final installation.

SAVE THESE INSTRUCTIONS



THIS UNIT CONTAINS A RECHARGEABLE NICKEL-CADMIUM BATTERY. PLEASE RECYCLE OR DISPOSE OF PROPERLY.

INSTALLATION INSTRUCTIONS

CAUTION: Before installing, make certain the A.C. power is off and the I-42-EM-J unit connector is disconnected.

1. LAMPS OPERATED

Refer to the chart below for the type of lamp(s) operated and the number of lamps to be operated in the emergency mode. If you have any questions regarding specific lamps, contact Customer Service.

OPTION	LAMP	TYPE	EMERGENCY OPERATION	VIOLET LEADS
1	10W-18W	Compact	One Lamp	Connected
2	26W-42W	Compact	One Lamp	Disconnected
3	10W-13W	Compact	Two Lamp	Connected
4	18W	Compact	Two Lamp	Disconnected
5	18W	Long Compact	One Lamp	Connected
6	24W	Long Compact	One Lamp	Disconnected
7	36W	Long Compact	One Lamp	Disconnected

The 6" violet leads provide the lamp selection option. The unit is shipped from the factory with the leads disconnected and capped. When used with particular lamp types, violet leads should be connected to one another. Refer to chart for lamp selection options.

2. MOUNTING THE I-42-EM-J

When used with ceiling mounted downlight fixtures, the **I-42-EM-J** should be mounted on the fixture above the ceiling.

When battery packs are remote mounted, the remote distance can not exceed ½ of the distance from ballast to lamp specified by the A.C. ballast manufacturer. Under no circumstances should the battery pack exceed a distance of 10' from the lamp.

3. MOUNTING THE THREADED BODY TEST SWITCH (TBTS)

Cut a single gang switch box into the ceiling tile adjacent to the fixture within reach of the **I-42-EM-J** flex. After mounting the switch box, connect flex to the box and route all leads inside the box. Note proper polarity of **TBTS** when installing.

4. WIRING

- When the **I-42-EM-J** is installed on the same branch circuit, refer to *Illustration 1*, Figures A and B for input wiring. When installed on separate branch circuits, refer to *Illustration 1*, Figures C and D for input wiring. Per NEC, the **I-42-EM-J** and A.C. ballast must be on the same panel board.
- The **I-42-EM-J** requires an **unswitched** A.C. power source of either 120 or 277 volts; therefore, when used with switched fixtures, the **I-42-EM-J** input must be wired ahead of the switch. Refer to *Illustration 1* for switched and unswitched fixture wiring diagrams.
- Refer to the wiring diagrams on the back page for the proper wiring. For wiring diagrams of ballasts not shown, consult our Customer Service.

5. LABELS

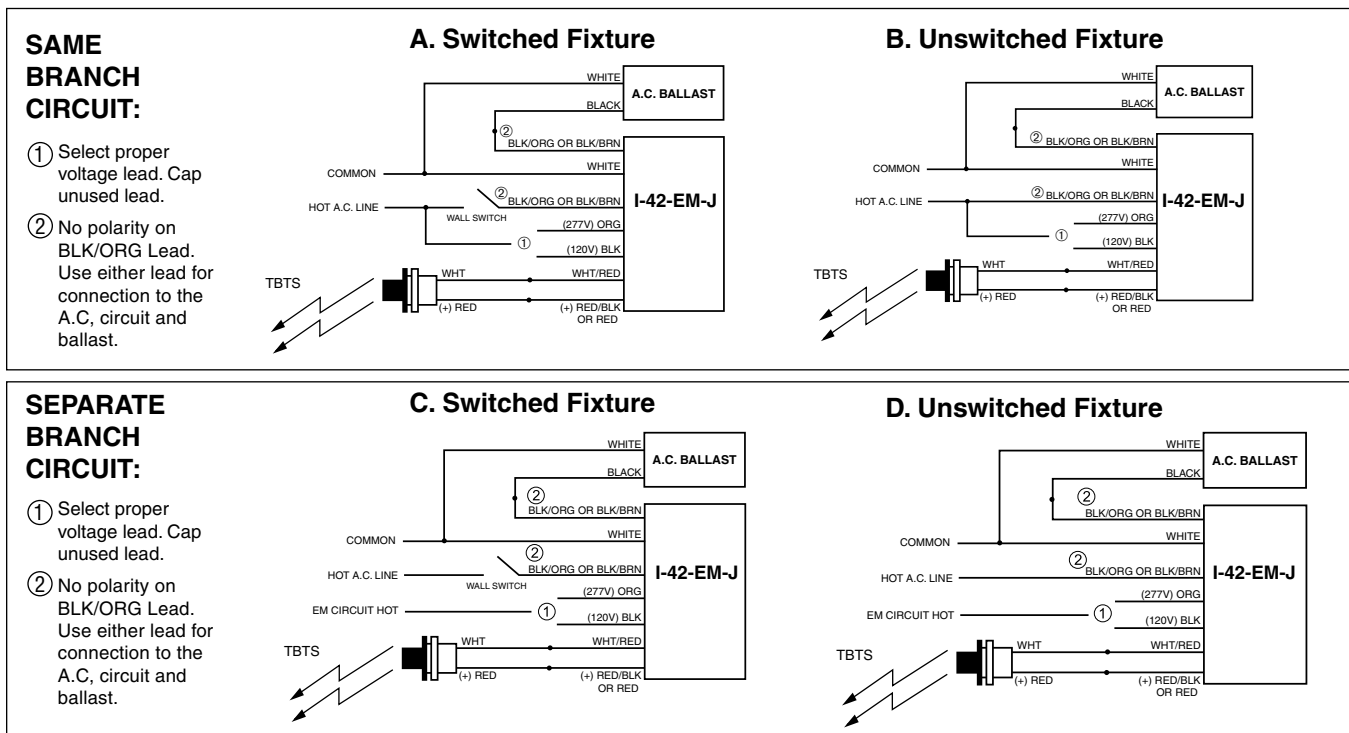
Attach the appropriate labels adjacent to the **TBTS**. Annotate Re-lamping label for lamp type and wattage. The Caution and the Re-lamping labels must be on the fixture in a readily visible location to anyone attempting to service the fixture.

6. COMPLETING INSTALLATION

When the installation is complete, switch the A.C. power on and join the **I-42-EM-J** unit connector.

INSURE WIRING IS IN ACCORDANCE WITH THE NATIONAL ELECTRICAL CODE AND LOCAL REGULATIONS.

Illustration 1



OPERATION

General – This unit is primarily designed to be used with compact fluorescent lamp downlight fixtures. It will wire in conjunction with the existing A.C. ballast(s) and lamp(s) to provide the emergency function. The **TBTS** light is offered for installation in a standard single gang switch box adjacent to the fixture.

Normal Mode – A.C. power is present. The A.C. ballast operates the fluorescent lamp(s) as intended. The **I-42-EM-J** is in the standby charging mode. The **TBTS** will be lit providing a visual indication that the battery is being charged.

Emergency Mode – The A.C. power fails. The **I-42-EM-J** senses the A.C. power failure and automatically switches to the *Emergency Mode*. One lamp or two lamps are illuminated, at reduced output, for a minimum of 90 minutes. When the A.C. power is restored, the **I-42-EM-J** switches the system back to the *Normal Mode* and resumes battery charging. See page 1 of the Instruction Manual.

TESTING & MAINTENANCE

Pressing the **TBTS** turns off the light on the **TBTS** and forces the unit into emergency mode, interrupting power to the designated A.C. ballast. The emergency lamp is now being lit by the **I-42-EM-J** unit. After releasing the **TBTS**, the fixture returns to normal operation after a momentary delay. To simulate a “BLACK OUT” use the circuit breaker to turn off A.C. power.

Initial Testing – Allow the unit to charge approximately 1 hour, then conduct a short discharge test by depressing the **TBTS**. The **TBTS** light will go out and the fluorescent tube will be illuminated. When the **I-42-EM-J** is used in fixtures with more than one A.C. ballast, the second A.C. ballast is NOT de-energized with the test switch. It may, therefore, be advisable to switch the A.C. fixture power off prior to depressing the test switch. Allow a 24 hour charge before conducting a one hour test.

The **I-42-EM-J** is a maintenance free unit, however, periodic inspection and testing is required. NFPA 101, Life Safety Code, outlines the following schedule:

Monthly – Insure that the **TBTS** light is illuminated. Conduct a 30 second discharge test by depressing the **TBTS**. One lamp should operate at reduced output.

Annually – Insure that the **TBTS** light is illuminated. Conduct a full 1½ hour discharge test. The unit should operate as intended for the duration of the test.

“Written records of testing shall be kept by the owner for inspection by the authority having jurisdiction.”

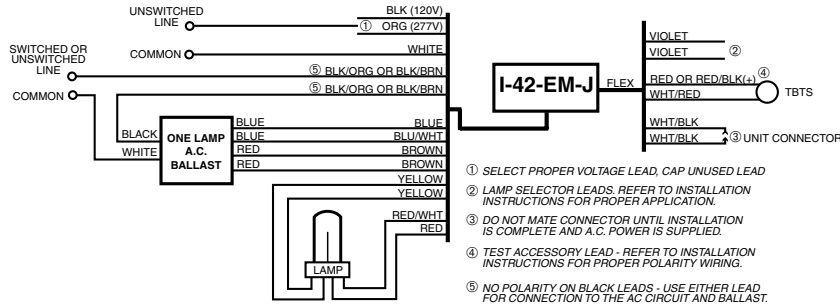
SERVICING SHOULD BE PERFORMED BY QUALIFIED PERSONNEL.

Consult Customer Service or visit www.iotaengineering.com for current warranty information.

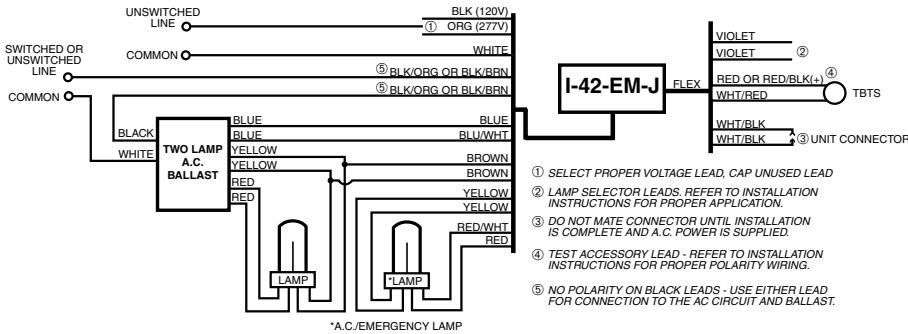
TYPICAL WIRING DIAGRAMS

Use in conjunction with Rapid Start ballasts and 4 pin lamps only

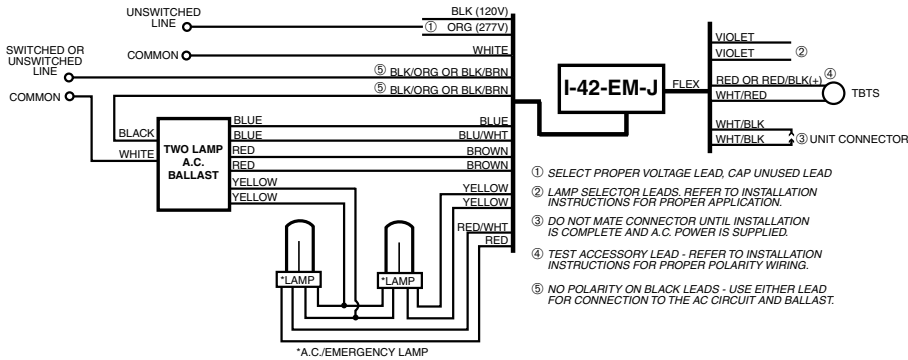
1. ONE LAMP RAPID START BALLAST



2. TWO LAMP RAPID START BALLAST WITH ONE LAMP EMERGENCY OPERATION



3. TWO LAMP RAPID START BALLAST WITH TWO LAMP EMERGENCY OPERATION



4. ALTERNATE TWO LAMP RAPID START BALLAST WITH ONE LAMP EMERGENCY OPERATION

