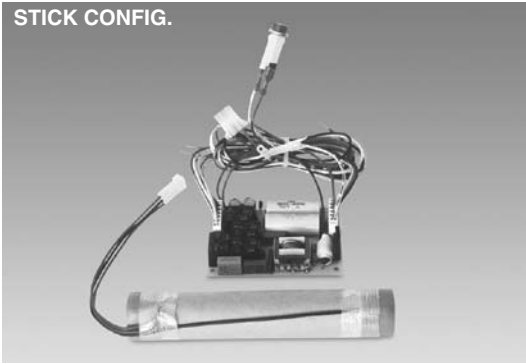


**COMPATIBLE WITH 4-PIN
LOW-MERCURY CONTENT AMALGAM LAMPS**

STICK CONFIG.



IN-LINE CONFIG.



TRIANGLE CONFIG.



DESCRIPTION:

The **I-42L** Compact Fluorescent Emergency Ballast Kit is designed to allow shallow or unusually shaped fixtures (such as wall packs, sconces, and recessed stair fixtures) to be configured for normal and emergency operation. The unit consists of an open circuit board assembly and battery pack, which is offered in three profile options. In the event of a power failure, the **I-42L** switches to the emergency mode and operates **one or two** of the existing lamps for **90 minutes**. The **I-42L** can be used with most 10W-42W twin, triple, quad tube, 2D and straight **4-pin** compact fluorescent lamps and 18W-36W long compacts, with a total initial output of up to **650 lumens** for one or two lamps. **The I-42L utilizes AC output to ensure compatibility with new lamp technologies**, and features lamp selector leads for optimizing light output for designated lamp types. The **I-42L** is a U.L. Recognized Component for factory installation only.

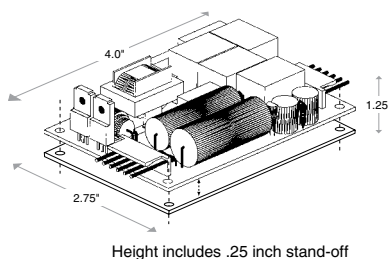
TECHNICAL SPECIFICATIONS

Input Voltage.....	(Dual) 120/277V, 60Hz
Input Wattage	3.5 Watts
Lamps Operated.....	10W-42W 4-pin Rapid Start Twin, Triple, Quad Tube, 2D & Straight Compact Lamps, and 18W-36W Long Compact Lamps
Emergency Operation*	(1) 10W-42W or (2) 10W-18W 90 minutes *Long Compact - (1) lamp only
Initial Illumination	650 lumens (2) lamps 325 lumens each lamp
Operating Temp	0° to 55° C
Battery	24 Hour Recharge 7-10 Year Life Expectancy
Weight (Board Assembly and Battery)	1.5 lbs.
UL Conditions of Acceptability	Must be factory wired Battery temperature must not exceed 55° C

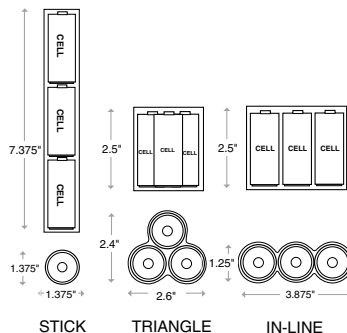


CASE DIMENSIONS

CIRCUIT BOARD



BATTERY CONFIGURATION



MODEL NO: _____
 TYPE: _____
 PROJECT: _____
 COMMENTS: _____

LAMPS OPERATED*

**10W-42W 4-pin Rapid Start Compact Lamps
(Twin, Triple, Quad Tube, 2D & Straight)
and 18W-36W Long Compact Lamps**

*Refer to Lumen Reference Chart for list of compatible lamps

PRODUCT ADVANTAGES

- Open circuit board design for use in fixtures with limited space**
- AC output for compatibility with Low-Mercury Content Amalgam lamps**
- Time Delay feature for compatibility with End-of-Lamp-Life Circuitry**
- Open Circuit Isolation protects unit when load is absent**
- Three battery profiles available**

FEATURES

- UL Recognized Component
- Will cold start and operate all specified lamps
- Long life high temperature recyclable Ni-Cad battery
- Includes one-piece TBTS test switch and charge indicator
- For use with switched or unswitched fixtures
- 5-Year Warranty.** See Warranty Page for details.
- Selectable lamp leads optimize light output for desired lamp type
- Meets or exceeds all National Electrical Code and Life Safety Code Emergency Lighting Requirements
- International Voltage Models Available



P.O. BOX 11846 TUCSON, AZ 85734
 (520) 294-3292 • FAX (520) 741-2837
www.iotaengineering.com

I-42L

FLUORESCENT EMERGENCY BALLAST KIT

OPTIONS

CONFIGURATION

TBTS

BATTERY CONFIGURATION

- STICK
 TRIANGLE
 INLINE

VOLTAGE RATINGS

- 120/277V 60HZ (STANDARD)
 220V 50HZ
 240V 60HZ
 120V 50HZ

AVERAGE LUMEN RATINGS

LAMP	1 LAMP	2 LAMPS
13W PL CF 4-PIN	350	400
18W PL CF QUAD 4-PIN	350	550
26W PL CF QUAD 4-PIN	425	
32W PL CF QUAD 4-PIN	600	
42W PL CF QUAD 4-PIN	750	
F282 D/42 4-PIN	475	500
F382 D/42 4-PIN	500	650
18W LONG COMPACT	500	
24W LONG COMPACT	575	
36W LONG COMPACT	650	

I-42L SAMPLE SPECIFICATION

Emergency lighting shall be provided by using a standard fluorescent fixture equipped with an **IOTA I-42L** fluorescent emergency battery kit. The **I-42L** shall consist of a high temperature, maintenance-free nickel cadmium battery, charger board and an electronic circuit installed within the designated fixture. A combination one-piece long-life LED charge indicator light and test switch shall be included. The fluorescent EM kit shall operate one 10w-42w or two 10w-18w twin, triple, quad tube, 2D or straight **4-pin** fluorescent lamps, or one 18w-36w long compact fluorescent lamp. The **I-42L** shall provide reduced illumination for a minimum of 90 minutes in the emergency mode with a total initial output of 650 lumens. **The I-42L will operate the lamp(s) with AC output** and will feature selectable lamp leads for optimizing light output for the designated lamp type. The **I-42L** shall have 3.5 watts of input power and a battery capacity of 14.4 watt hours. The **I-42L** is a UL Recognized Component and meets or exceeds all NEC and Life Safety Code Emergency Lighting Requirements. The **I-42L** is warranted for a full five (5) years from the date of purchase.