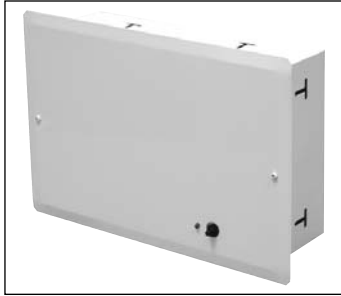


Type No. _____
 Job Name _____
 Catalog No. _____



Shown: LB100R



Shown: LB250S



Shown: LB100T

Centaurus Linebacker

100 Watt or 250 Watt Interruptible Power Supply for Emergency Lighting Applications

Overall Characteristics

- Universal 120 or 277 VAC input and output
- Operating temperature range of 68°F (20°C) to 86°F (30°C)
- Fused output connections
- Normally on and/or normally off loads
- Minimum 90 minutes of battery operating time
- 91% nominal lumen output from luminaire

Application

- Operates incandescent and fluorescent electronic loads
- Compatible with dimming ballasts

Housing

- NEMA 1 enclosure
- Heavy duty steel cabinet with a white powder coat finish (optional black)
- Surface, recess and ceiling grid mounting options
- Multiple conduit entries

Indicators/Controls

- Local status panel
- Momentary test switch
- Normally off load
- Optional remote test switch

Warranty

- Electronics: 3 years
- Battery: 1 year full, 4 years pro-rata

Electronics

Inverter

- Square wave output
- Completely solid-state inverter
- Brownout protection is 75% of nominal line voltage
- Low voltage disconnect (LVD)
- DC overload and short circuit protection
- Self-diagnostics (optional)

Charger

- Variable rate, fully automatic, temperature compensated charger
- 24 hour battery recharge time

Battery

- Maintenance free, sealed lead calcium batteries
- 10 year expected life (68°F to 86°F)

Electrical Specifications

Input Power Requirements

100 Watt Models

- 120 VAC: 60 Hz, 0.198A
- 277 VAC: 60 Hz, 0.080A

250 Watt Models

- 120 VAC: 60 Hz, 0.570A
- 277 VAC: 60 Hz, 0.268A

Ordering Information

SERIES	OUTPUT WATTAGE	MOUNTING CONFIGURATION	OPTIONS	ACCESSORIES (Ordered Separately)
LB = Centaurus Linebacker	100 = 100 Watts 250 = 250 Watts* <small>* Available in surface mount only</small>	T = Ceiling Installation S = Surface Wall Mount R = Recessed Wall Mount	OT = Self-Diagnostics TD1 = 120V 15 Minute Time Delay TD2 = 277V 15 Minute Time Delay SP = Special Paint (consult factory)	LBRT = Remote Test Switch

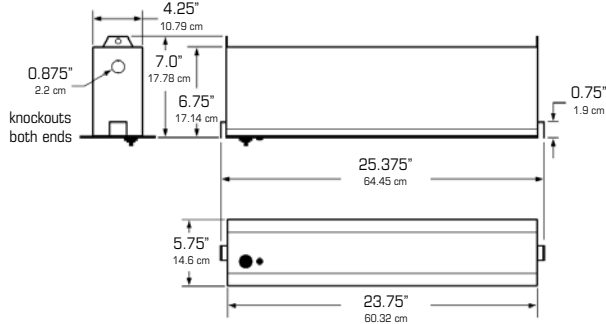
System Input/Output

MODEL	Output Volts	Watts for 1½ Hrs	Watts for 2 Hrs	Watts for 3 Hrs	Watts for 4 Hrs	Mounting Type	Weight (lbs.)
LB100T	120/277	100	75	50	37	Ceiling Grid	37
LB100R	120/277	100	75	50	37	Recessed	37
LB100S	120/277	100	75	50	37	Surface	37
LB250S*	120/277	250	185	115	87	Surface	89

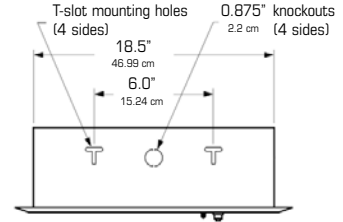
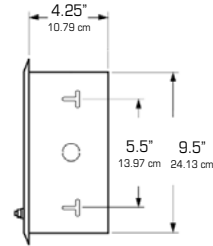
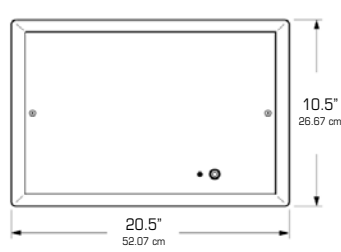
* Available in surface mount configuration only.

Dimensions

Ceiling Grid Model (T)

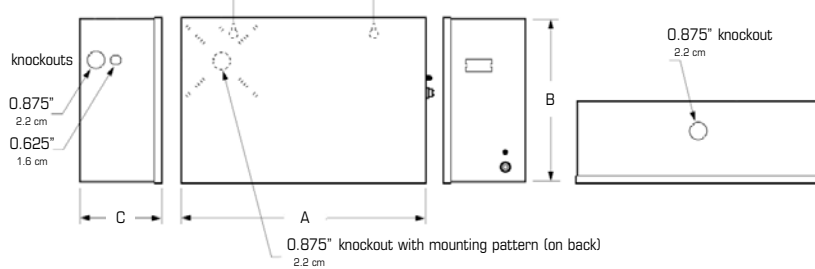


Recessed Model (R)



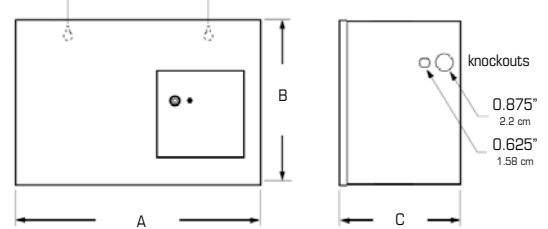
Surface Model (S)

Model LB100S



Surface Model (S)

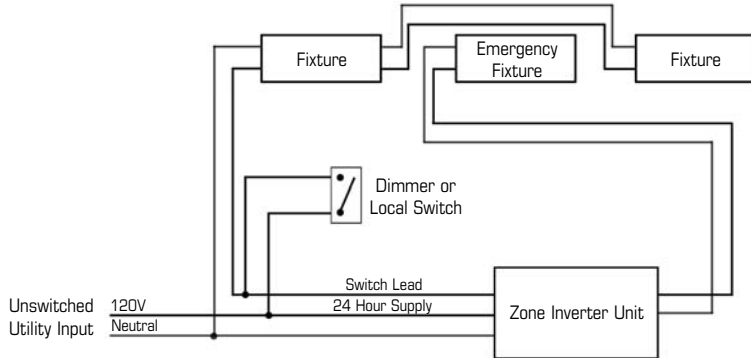
Model LB250S



Model	A	B	C	D
Z100S	18.625"	9.625"	4.375"	14.5"
Z1250S	18.625"	10.125"	8.25"	13.0"

System One-Line Diagrams

3 Lamp, 2 Ballast Lighting Fixture with Local Switch or Dimmer



Suggested Specification

Furnish and install LightGuard's Emergency Lighting System known as Centaurus Linebacker with a rating of 100 or 250 watts. The system shall provide a solid-state produced square wave output, and shall be listed to Underwriters Laboratories standard 924 and FCC Class A compliant.

Equipment and accessories furnished under the terms of this specification shall be the standard product of a single manufacturer and shall be equal in all respects to those supplied by LightGuard. Catalog numbers and model designations which appear herein indicate design, quality and the type of material as well as required operating characteristics. All equipment shall be in compliance with the applicable UL standards.

The connected load shall be powered normally by utility through the isolating relay and upon failure of the utility input, the load shall automatically continue to be powered via the Centaurus Linebacker's solid-state DC to AC inverter for a period not less than 90 minutes. Upon restoration of utility power, the inverter will automatically reconnect the load to the utility power.

The Centaurus Linebacker shall be capable of powering any combination of fluorescent ballasted lamps, incandescent lamps or other approved loads up to the total rating of the system. The system shall automatically protect itself against damage from overloads and short circuits while powered from either utility AC or during emergency inverter operation.

Continued on Next Page



272 West Stag Park Service Road • Burgaw, NC 28425
 (910) 259-1131 • FAX (800) 403-6927
 www.lightguard.com

Suggested Specification, continued

The AC output to the load shall be isolated from the utility input during inverter emergency operation. Under emergency mode conditions, the LightGuard Centaurus Linebacker unit is powered by sealed lead calcium batteries. The lead calcium batteries are encased in a high impact, heat resistant, permanently sealed plastic cover. The batteries will operate entirely unattended and should require no additional maintenance for a period of 10 years. These lead calcium batteries are maintained in their fully charged condition whenever the utility power is available. This is done utilizing a solid state, constant current charger that is capable of restoring the batteries to capacity within a maximum of 24 hours after restoration of utility power. The charger power is obtained from the main power input. A low voltage disconnect circuit designed to reduce battery discharge during

extended power outages, shall monitor the battery voltage and disconnect the inverter when battery voltage drops to approximately 75% of nominal voltage.

System indicators and controls shall consist of local status panel indicators, fused AC output, and automatic battery monitor with alarm. System may be configured with the Light Switch Option which causes a switched circuit to be energized in a power failure condition, overriding the manual light switch.

Suggested Applications



Hazardous Locations

Installing the Centaurus Linebacker unit in a safe environment allows you to supply automatically backed up AC power to hazardous location/special requirement fixtures. Designate a specific lighting circuit to provide the required illumination in case of power outage. Install the Centaurus Linebacker unit providing backup power in this circuit and obtain dual utilization of the designated fixtures as both normal and emergency lighting fixtures. The Centaurus Linebacker utilizes nominal line voltage eliminating voltage drop constraints of low voltage DC fixtures and the added expense of special classification fixtures that function only as emergency lighting devices. Some examples are: painting facilities, clean rooms, chemical operations and waste water treatment plants.



Special Requirement Locations

Installing the Centaurus Linebacker unit in a controlled or hidden environment allows you to supply automatically backed up AC power to special requirement fixtures. Designate a specific lighting circuit to provide the required illumination in case of power outage. Install the Centaurus Linebacker unit providing backup power in this circuit and obtain dual utilization of the designated fixtures as both normal and emergency lighting fixtures. The Centaurus Linebacker utilizes nominal line voltage eliminating voltage drop constraints of low voltage DC fixtures allowing remote installation for environmental considerations. Some examples are: food processing, walk-in cooler/freezers, weatherproof/exterior egress routes, schools and strip malls.



Decorative Locations

Installing the Centaurus Linebacker unit in a hidden environment allows you to supply automatically backed up AC power to aesthetically pleasing fixtures. Designate a specific lighting circuit to provide the required illumination in case of power outage. Install the Centaurus Linebacker unit remotely providing backup power in this circuit and obtain dual utilization of the designated fixtures as both normal and emergency lighting fixtures. The Centaurus Linebacker utilizes nominal line voltage eliminating voltage drop constraints of low voltage DC fixtures or the unsightly installation of emergency lighting battery packs. Some examples are: decorative/architectural fixtures in conference rooms and decorative/architectural fixtures in lobbies.

ALL SPECIFICATIONS SUBJECT TO CHANGE WITHOUT NOTICE