



Exterior AC/Emergency Fixtures



Shown: C30S



Shown: C300



Shown: C300W



Shown: C1200

- **4 and 6 Volt**
- **Maintenance Free, Sealed Nickel Cadmium Battery**

Housing

- Impact resistant polycarbonate with a clear or opal white lens
- Lamps are provided
- C30S and C300 housing available in black, bronze or white
- C300W housing available in black or bronze
- C1200 housing available in bronze only
- Four different housing styles to meet design needs
- C30S backbox includes five knockouts suitable for 1/2" conduit
- C300, C300W and C1200 are available with up to four threaded connections and plugs suitable for 1/2" conduit

Electronics

- 120/277 VAC dual voltage input capability
- 4 volt and 6 volt emergency operation
- Solid-state constant current charger
- Low temperature ballast available

Electrical Specifications

C30S - 0.15 amps, 17 watts
 C300 - 0.15 amps, 17 watts
 C300W - 0.15 amps, 17 watts
 C1200 - 0.30 amps, 34 watts

Operation

Battery

- Maintenance free, sealed nickel cadmium battery with sintered plate construction
- Nickel cadmium batteries have an expected service life of 10 years and an optimum operating range of 20°F (-7°C) to 95°F (35°C)*
- Nickel cadmium batteries are recommended for areas with high ambient temperatures

* Increases or decreases in temperature will affect performance and/or capacity. Optimum battery performance realized at 77°F (25°C).

Code Compliance

- NFPA 70 and NFPA 101, NEC, BOCA, OSHA, and IBC illumination standards

Application

- Exterior locations where a highly reliable and attractive emergency lighting unit is desired
- Ideal for corridors and passageways

Warranty

Electronics: 3 years
 Battery: 5 years full, 5 years pro-rata

MODEL	AC OPERATION	EMERGENCY OPERATION
C30SEM	One 13 Watt Twin Tube Compact Fluorescent Lamp	Two 4 VDC, 4 Watt Wedge Base Incandescent Lamps
C300EM	One 13 Watt Quad Tube Compact Fluorescent Lamp	Two 4 VDC, 4 Watt Wedge Base Incandescent Lamps
C300WEM	One 13 Watt Quad Tube Compact Fluorescent Lamp	Two 4 VDC, 4 Watt Wedge Base Incandescent Lamps
C1200EM	Two 13 Watt Twin Tube Compact Fluorescent Lamps	Two 6 VDC, 5.4 Watt Wedge Base Incandescent Lamps

Exterior AC/Emergency Fixtures

Ordering Information

SERIES ¹	LENS TYPE	HOUSING	OPTIONS
C30SEM C300EM C300WEM C1200EM	C = Clear Prism O = Opal White	WH = White BR = Bronze BK = Black	TP = Tamperproof (Requires T15TP00L) Z = Cold Weather Ballast (AC Only) Conduit Connections ² CT = Top Conduit Connection CB = Bottom Conduit Connection CR = Right Conduit Connection CL = Left Conduit Connection

NOTES:

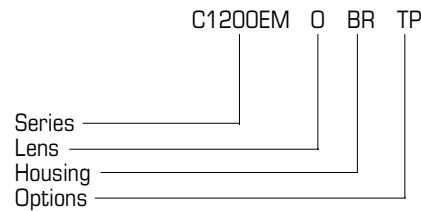
- 1) Matching non-emergency fixtures are available. Consult factory.
- 2) Not required for C30S - five knockouts already provided. C300 and C300W suitable for 1/2" or 3/4" conduit. Specify conduit location relative to front view of luminaire.

NOTE: If product will be controlled by either lighting contactor, photocell, or time clock, please consult factory to ensure compatibility.

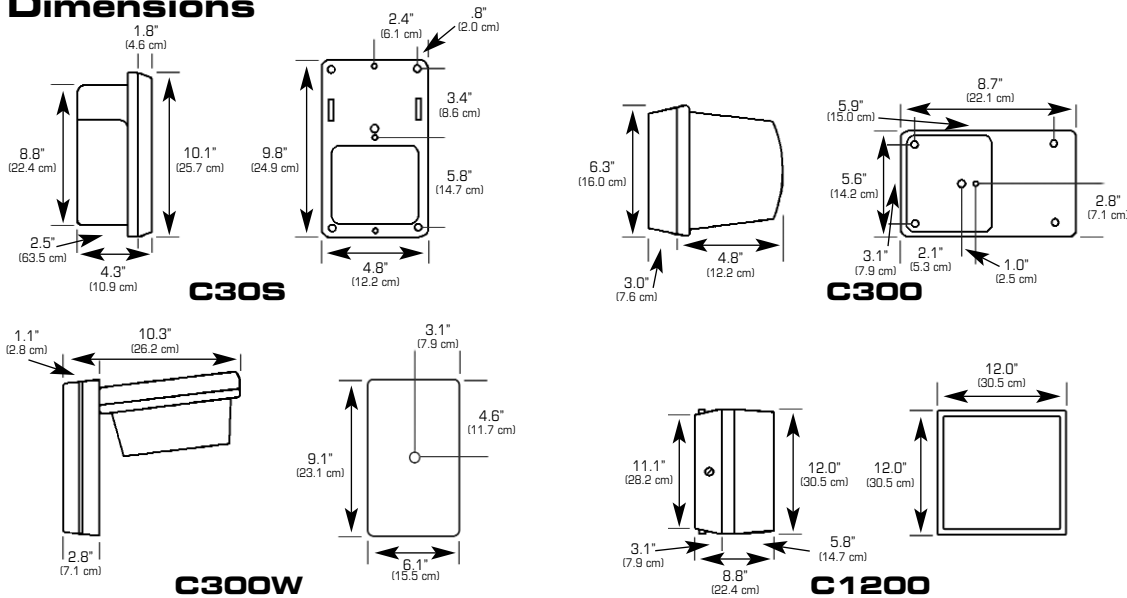
Housing Color Availability Chart

SERIES	BLACK	WHITE	BRONZE
C30SEM	YES	YES	YES
C300EM	YES	YES	YES
C300WEM	YES	NO	YES
C1200EM	NO	NO	YES

Ordering Example



Dimensions



Dimensions are approximate and subject to change.

Suggested Specification

Furnish and install LightGuard's Exterior AC/Emergency Fixture model _____. The emergency lighting unit shall be constructed to meet Underwriter's Laboratories, Inc. standard #924 and the National Electrical Code.

OPERATION - Upon failure or brownout of utility power, the units shall automatically transfer to battery power and maintain the required illumination for a period of 90 minutes. Upon restoration of utility power, the charger shall restore the battery to full charge per UL 924 standard requirements.

CHARGER (emergency operation only) - The charger shall be a solid-state, constant current charger.

BATTERY (emergency operation only) - The battery shall be maintenance free, sealed nickel cadmium.

HOUSING - The housing shall be impact resistant polycarbonate in black, bronze or white. The lens shall be clear or opal white and impact resistant.

ALL SPECIFICATIONS SUBJECT TO CHANGE WITHOUT NOTICE



272 West Stag Park Service Road • Burgaw, NC 28425
 (910) 259-1131 • FAX (800) 403-6927
 www.lightguard.com

L2055R16
 5/09 IH