

Type No. _____
 Job Name _____
 Catalog No. _____



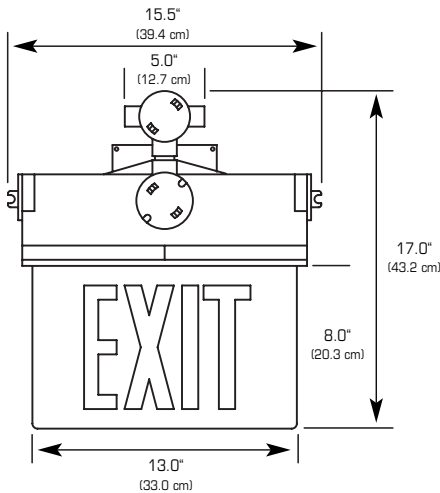
Explosion Proof Hazardous Location Edge-Lit Exit



EXL23AA

- **Class I, Div. 1 & 2, Groups C & D; Class II, Div. 1, Groups E, F & G; Class II, Div. 2, Groups F & G**
- **Temperature performance ratings (based on 25°C ambient) for Class I, Groups C & D and Class II, Groups E, F & G: 25 watt (DC operation) = T3C; 60 watt (AC operation) = T3C (use supply wire rated at 125°C)**
- **AC only operation**
- **Uses two medium base socket, 60W, 60T10 lamps (lamps not included) 120VAC Only**
- **Copper-free cast aluminum construction and acrylic sign panel with red exit lettering**

Dimensions



Dimensions are approximate and subject to change.

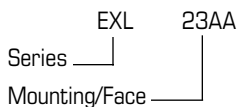
Illumination

Requires two 60 watt 60T10 clear incandescent lamps wired in parallel (lamps not included). Includes 6" red lettering on white acrylic panel.

Ordering Information

EXL			
SERIES	MOUNTING/FACES	OPTIONS	ACCESSORIES (Ordered Separately)
EXL = EXL Edge-Lit Exit for Hazardous Locations	21A = Wall Mount, Single Face 22AA = End Mount, Double Face 23AA = Pendant Mount, Double Face	B = Arrow Right BC = Double Face Arrow Left or Right C = Arrow Left D = Double Arrow DD = Double Face, Double Arrow GN = Green Letters	ECT413 = 277 VAC Transformer Kit

Ordering Example



Explosion Proof Hazardous Location Edge-Lit Exit



272 West Stag Park Service Road • Burgaw, NC 28425
(910) 259-1131 • FAX (800) 403-6927
www.lightguard.com

L2175R6
5/09 IH