

Type No. \_\_\_\_\_  
Job Name \_\_\_\_\_  
Catalog No. \_\_\_\_\_



Shown: XRB-XBAT



# Unison II Series

➤ **Contractor Grade Thermoplastic LED**

➤ **12 or 22 watt Remote Lighting Capability**

## Housing

- Contractor-friendly, snap-in connection
- UL 94 V-0 high impact, white thermoplastic housing
- Universal top, side or back mounting
- Stencil face is easily removed for installation, maintenance and inspection
- Field selectable chevrons can be installed and/or removed from outside the exit housing
- No canopy needed for back-to-wall mounting
- Canopy furnished with all models

## Battery

- Maintenance free, sealed lead calcium battery has an operating range of 50°F (10°C) to 104°F (40°C)
- Supplies 90 minutes of emergency power

## Illumination

- Normal and emergency illumination is accomplished with long lasting, high output Light Emitting Diodes (LEDs)
- Hot spots and striations are eliminated by the internal "light chamber" especially designed around the high performance LED array

## Installation

- All models are designed with an easy snap together design, and supplied with two faces, a backplate and a canopy making this sign universal to most mounting configurations

## Electronics

**Self-Powered** - 120 /277 VAC dual voltage input with surge protected, solid-state circuitry provides for a reliable charging system. Standard features include low voltage disconnect, AC lockout and brownout protection.

## Electrical Specifications

### Self-Powered

- Red - 0.027A (120 VAC)  
- 0.012A (277 VAC)
- Green - 0.030A (120 VAC)  
- 0.014A (277 VAC)

## Code Compliance

- UL 924 listed
- UL damp location listed standard
- NFPA 101, NEC, BOCA, OSHA, and IBC illumination standards

## Application

- Ideal for commercial, retail and office locations where an attractive, highly reliable LED exit sign is required
- Remote load capable or extended run times are standard

## Warranty

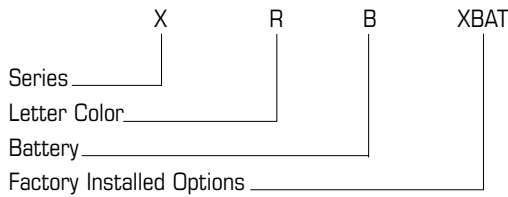
Electronics: 3 years  
Battery: 1 years full, 4 years pro-rata

## Ordering Information

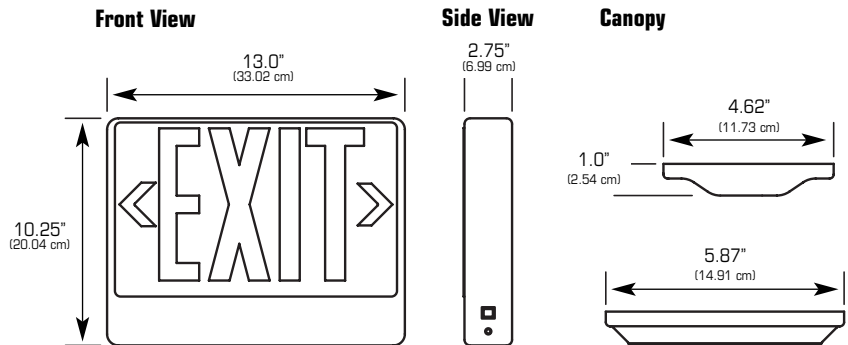
X		B		
SERIES	LETTER COLOR	BATTERY	HOUSING COLOR	FACTORY INSTALLED OPTIONS
X = Unison II Series Thermoplastic LED Exit	R = Red LEDs G = Green LEDs	B = Lead Calcium Battery for Emergency Operation	Blank = White Housing	<b>XBAT</b> = 12 Watt, 6 Volt Remote Capability <b>XBAT2</b> = 22 Watt, 6 volt Remote Capability

**NOTE:** Standard product is furnished with white housing, white stencil and canopy for universal mounting, single or double face.

## Ordering Example



## Dimensions



Dimensions are approximate and subject to change.

## Suggested Specification

Furnish and install LightGuard's LED exit sign model \_\_\_\_\_. The exit shall be constructed to meet Underwriter's Laboratories, Inc. Standard #924 and the National Electrical Code (NEC).

**INSTALLATION AND OPERATION** - Exit shall be easily field connected to a 120 or 277 VAC, 60 hertz, unswitched power source. Installation must comply with the NEC as well as other applicable codes. Mechanical connections to standard junction boxes shall be accomplished by utilizing the access ports and canopy connector supplied with the product. Upon utility power failure or brownout, the unit shall automatically transfer to battery power and maintain the required illumination level for a minimum period of 90 minutes. Upon restoration of utility power, the charger shall restore the battery to full charge within UL 924 requirements following a rated discharge of not more than 90 minutes. Unit shall be damp location listed standard.

**CHARGER** - Product shall utilize a solid-state, constant current charging system which will maintain the battery at full capacity without the need for periodic exercising or equalization. A three year warranty shall be provided. Circuitry shall include both a "push-to-test" switch and "utility power present" indicator LED.

**BATTERY** - The battery shall be maintenance free, lead calcium. Lead Calcium batteries are supplied with a one year full warranty, and four year pro-rata warranty.

**ILLUMINATION** - The Unison Series II indirect view LED exit signs shall incorporate high intensity LEDs. The LEDs shall be designed so that the unlikely failure of one LED will not affect the integrity of the total sign in the emergency mode. The Unison Series II exit equipped with red LEDs shall consume 0.027A (120 VAC) or 0.012A (277 VAC). The Unison Series II exit equipped with green LEDs shall consume 0.030A (120 VAC) or 0.014A (277 VAC).

**HOUSING** - The Unison Series II LED exit housing shall be constructed of impact resistant, UL 94 V-0, thermoplastic, with NFPA-type field selectable chevrons. The standard housing, stencil and canopy finish shall be white.

ALL SPECIFICATIONS SUBJECT TO CHANGE WITHOUT NOTICE



272 West Stag Park Service Road • Burgaw, NC 28425  
 (910) 259-1131 • FAX (800) 403-6927  
 www.lightguard.com

L2319R8  
 5/09 IH