



# Prestige Economizer Series



## Typical Specification

Supply and install the **Prestige Economizer Emergi-lite Series** slim-profile edge-lit exit sign. The unit shall operate with universal two-wire AC input voltage from 120Vac to 277Vac at less than 3 Watts for single and double face legends. The housing assembly shall be fabricated of extruded aluminum with a textured finish and \_\_\_\_\_ color. The canopy shall be of die-cast aluminum and allow for ceiling, wall, or end mount installation. The light source shall be long-life LEDs installed on a PCB strip. The acrylic panel shall have a curved contour. The legend shall have six-inch high with 3/4-inch stroke red letters on a clear background, unless otherwise specified. The unit shall be equipped with field installed stick-on translucent directional indicators, to be installed in the field as required by the code.

The exit sign in a self-powered configuration shall be equipped with sealed Nickel-Cadmium batteries and perform minimum 90 minutes of emergency illumination upon AC failure.

The equipment shall be UL-924 listed.

The equipment shall be **Emergi-Lite** Model \_\_\_\_\_.

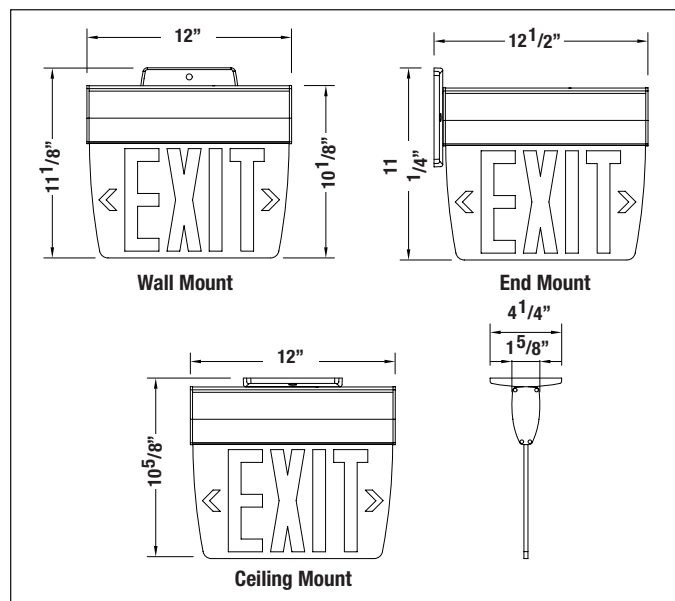
## Unit Warranty\*

3 years full warranty.

\*Subject to proper installation and maintenance.

## Outline and Dimensions

Dimensions are approximate and subject to change



**Slim Profile Surface Mount LED Edge-Lit Exit Sign For Recessed Mount, please consult the factory Available in Extruded Aluminum or Off-White Finishes**

The **Emergi-lite Prestige Economizer Series** combines a slim, modular design with state of the art technology and ease of installation including field installed directional arrows. Elegant and Economical, these exit signs complement any interior design while providing mounting versatility and energy efficiency. With the look of the Exit sign and the Simplified installation this product will be the favorite at both the Specification and Contractor level.

## Standard Features

- Slim-profile extruded aluminum housing
- Slim-profile die-cast aluminum canopy
- Choice of finishes: textured aluminum or off-white
- Universal surface mounting: wall, ceiling or end mount
- Click-to-open housing door allows easy access to the panel and electrical wiring
- Acrylic panel with curved contour provides superior clarity and illumination
- Legend with a choice of red or green six-inch letters, and easy to add field installed stick-on translucent directional arrows
- Choice of legend background: clear, white or mirror
- Simple, two-wire universal AC input (120V to 277Vac 60Hz) prevents installation errors
- Simple, two-wire universal DC input: 6V to 24Vdc
- Long-life LED light assures low maintenance costs and superior illumination
- Energy efficient power consumption: less than 3 Watts for selfpowered version and less than 2 Watts for AC only single or double face
- Sealed Nickel-Cadmium batteries provide 90 minutes of emergency lighting
- UL-924 listed

## Power Consumption

Model	AC Specs		DC Specs	
AC-only	120 to 277Vac	Less than 2 W	-	-
AC/DC	120 to 277Vac	Less than 2 W	6 to 24Vdc	Less than 1.5 W
Self-powered	120 to 277Vac	Less than 3 W	-	-

## How To Order (Surface Mount Series)

TA	PE	1	RC
Housing Color	Series	Face	Legend Color
TA = Textured Aluminum	PE = AC	1 = Single Face	RC* = Red on Clear
OW = Off White	PES = AC/DC	2 = Double Face	RW = Red on White
	PEN = Self-Powered		RM = Red on Mirror
			GC* = Green on Clear
			GM = Green on Mirror
			* Single face Only

NOTE: For recessed mount please contact factory

(GW = Green on White) Not available