



The **X30 Escort Series** is constructed of thermoplastic. It will not dent, peel, rust, or corrode and its textured finish resists scratching. The X34 model is universal to accommodate wall or ceiling mounting, single or double face. Stencil and Open Faces have field programmable arrows.

Evaluated to UL 924 Standard

Light Sources

- LED, Light Emitting Diodes, red LED's of ALINGAP technology
- Emergency Heads, two 6V, 5.4 watt high intensity incandescent lamps

Sealed Maintenance-Free Batteries

- Lead-Calcium
- Nickel-Cadmium



Standard Features

Reliability

The **X30 Series** comes complete with a 3-year full warranty (excluding lamps).

Unit Data

X30 Series is constructed of rugged thermoplastic in a choice of off-white or black. Exit sign provides even illumination for excellent legibility. Power packs for emergency models provide 90 minutes of emergency operation.

Light Source

The unit comes standard with two 6 Volt, 5.4 Watt high intensity wedge base incandescent lamps. Other lamps options are available, please refer to Lamp Chart.

Charger

Circuitry offers 120/277 volt input, fully automatic charger, combination AC pilot light/test switch, temperature compensated charger, low voltage battery disconnect, and brownout protection.

Optional Features

Description

Non-standard input voltage Specify
 Vandal resistant screws -VR

Add Suffix

Accessories (order as a separate item)

White Pendant P*-WT
 Black Pendant P*-BK
 Wire Guard, Wall Mount WG6-E

*Specify pendant length (12", 24" 36", etc)

Power Consumption: 120/277 Vac 60Hz, 0.3/0.15 Amp
Unit Rating Chart (total DC power available for local and remote emergency lights)

Battery Type	DC Voltage	Model Number	Watts to 87 1/2% of rated battery voltage			
			1 1/2 Hrs.	2 Hrs.	3 Hrs.	4 Hrs.
Lead-Calcium	6	SBX34	30	20	15	10
Nickel-Cadmium	6	STX34	24	18	12	9

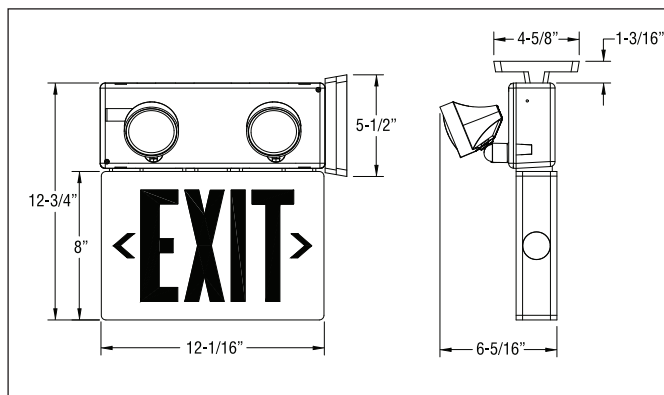
SBX = 30 watts total (with two heads = 19 watts)

STX = 24 watts total (with two heads = 15 watts)

PPDMP = SBX with metal packs

Outline and Dimensions

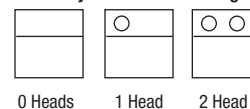
Dimensions are approximate and subject to change.



How To Order (example)

L	W	SBX	34	R	29	-VR
AC Lamp	Housing	SBX=Sealed	Series	Face	Mini Systems #of	Options
L=LED	Color	Lead-Calcium, 30 watts total (with 2 heads = 19 whatts)	34=Universal; Double face, with canopy and backplate	Stencil Face	heads	See Optional Features
	W=White B=Black	STX=Nickel-Cadmium, 24 watts total (with 2 heads = 15 whatts)		R=Red G=Green Open Face Exit* RW=Red/White WR=White/Red** GW=Green/White** WG=White/Green	19=1 head 29=2 heads Blank=0 heads	

Mini System Head Mounting:



* Open face sign required for special wording
 ** INC Only

Note: PPDMP = Available with SBX Pulse plus diagnostic with metal pack