



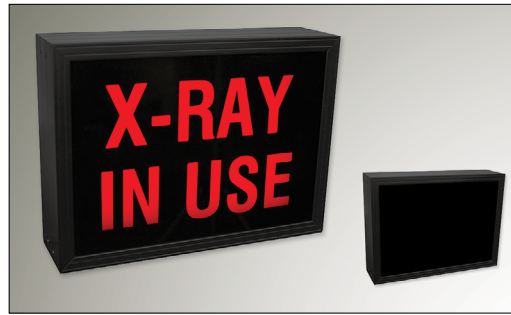
CHLORIDE

by Signify

Exit/Emergency

AMS series

Architectural message sign



Disappearing Sign Illuminated Disappearing Sign Off

Project: _____

Location: _____

Cat.No: _____

Type: _____

Lamps: _____ Qty: _____

Notes: _____

Architectural Message Sign provides a LED back-lit solution for a wide variety of single-face applications. Message panels can be selected with black, red or green letters on a white background or in a “disappearing” version where the illuminated red letters remain hidden when the sign is off. Numerous mounting accessories are available to simplify installation and the LED light source provides virtually maintenance-free operation and low energy consumption.

Ordering Information

Sample Catalog No: AMS - 120 - RW - DO NOT ENTER - CMB
 Single-face sign, 120V, red on white panel reading "DO NOT ENTER" with ceiling mount bracket

Model Number	Voltage	Sign Panel Color	Message ²	Options
AMS Single-face sign	120 277	BW Black letters on a white background RW Red letters on a white background GW Green letters on a white background DS ¹ Disappearing sign, red letters on a black background	ALERT BEAM ON CAUTION X-RAY DANGER LASER IN USE DARK ROOM IN USE DO NOT ENTER DRY ROOM IN USE ELEVATORS EXAM ROOM IN USE FIRE DO NOT ENTER IN USE LADIES LASER IN USE LASER ON MEN OCCUPIED RADIATION ON READY RECORDING RESTROOMS ROOM IN USE SYSTEM READY TELEPHONE TO EXIT WOMEN X-RAY IN USE	RFR Recessed frame CMB Ceiling mount bracket PMB Pendant Mount Bracket SMB Side mount bracket FLASH Message flashing (60 times/min.)

¹ Message is only visible when sign is illuminated. The sign panel appears black in off condition.
² Not available with "EXIT" wording.

Additional Features

- The back-lit message panels are available in black, red or green letters on a white translucent background. In addition, all messages can be specified with red letters against a black background where the message is only visible when the sign is illuminated.
- 26 standard messages with custom messages available upon request.
- Durable extruded aluminum frame with mitered corners.
- Variety of mounting configurations available.
- Available for either 120 or 277 volt applications.
- Simple to install and virtually no maintenance with the LED light source.
- 5 year warranty on all components.

AMS Architectural message sign

Specifications

Construction The AMS (single-face model) has a 3" deep extruded aluminum housing with mitered corners. The back plate is formed from 0.050" aluminum and adds a 0.25" to the overall depth of the sign.

Panels The message panels are 0.125" thick, translucent acrylic with stencil cut applied vinyl graphics. An additional 0.125" thick, clear acrylic exterior face panel is placed over the message panel to protect the lettering. The exterior panel for the "disappearing" version is tinted to hide the message when the sign is off. All panels are securely captured within the sign frame. There are twenty-six (26) standard messages with additional custom messages available upon request.

Finish The sign body and all mounting accessories have a dark bronze acrylic polyurethane paint finish.

Light Source Message panel is back-lit with solid-state LED panel with an integral driver.

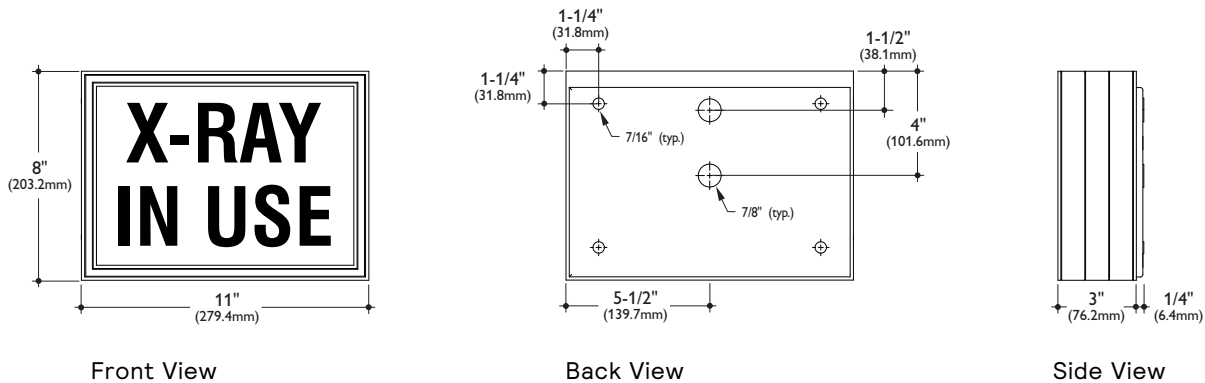
Electrical Available for 120 and 277 volt applications. The sign draws 9 watts and 0.42 Amps (120v).

Installation Four (4) mounting holes on the back plate are used for anchoring the sign housing to a wall or with the optional mounting accessories. A 7/8" knockout is provided on the back plate for electrical connection. The body of the sign hooks onto the back plate and is locked into place with two screws. A variety of mounting accessories for recessed, ceiling and wall mounting can be specified.

Listings UL and CUL listed for Wet Locations.

Warranty All luminaire components are warranted for 5 years from original date of shipment.

Dimensions



BW - Black Letters on White Sign Panel



GW - Green Letters on White Sign Panel



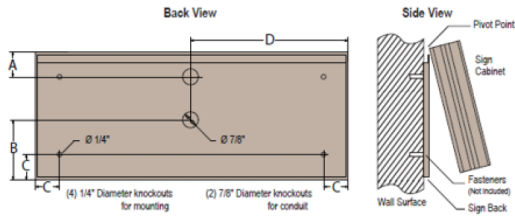
RW - Red Letters on White Sign Panel

Message Options

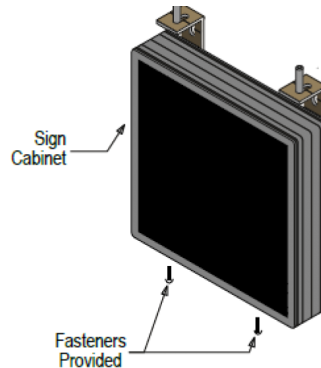


AMS Architectural message sign

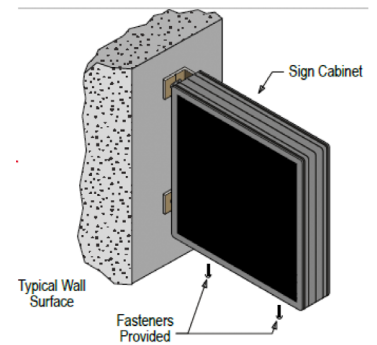
Dimensions



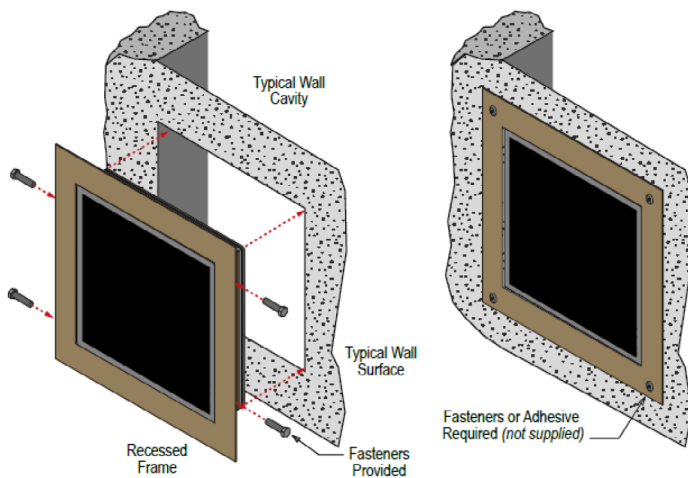
Wall mount installation



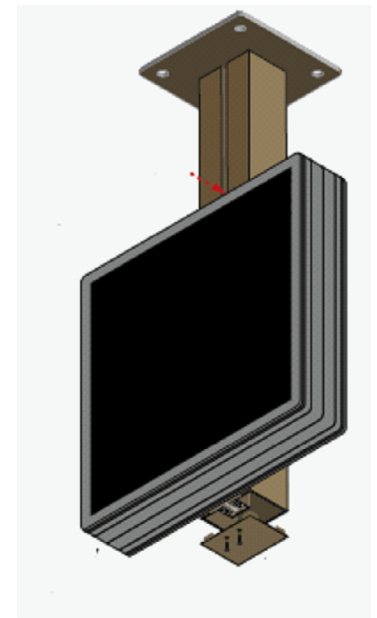
CMB - Ceiling Mount Bracket



SMB - Side Mount Bracket



RFR - Recessed Frame



PMB - Pendant Mount



© 2022 Signify Holding. All rights reserved. The information provided herein is subject to change, without notice. Signify does not give any representation or warranty as to the accuracy or completeness of the information included herein and shall not be liable for any action in reliance thereon. The information presented in this document is not intended as any commercial offer and does not form part of any quotation or contract, unless otherwise agreed by Signify.

Signify North America Corporation
 400 Crossing Blvd, Suite 600
 Bridgewater, NJ 08807
 Telephone 855-486-2216

Signify Canada Ltd.
 281 Hillmount Road,
 Markham, ON, Canada L6C 2S3
 Telephone 800-668-9008