

# bodine

## Auxiliary Power

Generator products

BLCD-20B



Project:	
Location:	
Cat.No:	
Type:	
Lamps:	Qty:
Notes:	

## Emergency Lighting Control Unit Supports lighting load up to 20A

Product order number: BLCD-20B

### Specifications

#### UL Listed for US and Canada

UL924 Emergency Lighting Compliant  
Field Installation  
(Indoor and Damp)

#### Full Warranty

3 Years (NOT pro-rata)

#### Input Voltage

120/277 VAC, 50/60 Hz

#### Output Voltage

120/277 VAC, (Auto Select) 50/60 Hz

#### Lighting Load Rating

Maximum Load:  
Ballast - 20A @ 120/277VAC  
LED Driver - 20A @ 120/277VAC  
Incandescent - 10A @ 120VAC

#### Temperature Rating (Ambient)

0°C to +50°C (+32°F to +122°F)

#### Relative Humidity Range

5 to 95%, noncondensing

#### Housing

Fire rated UL94 V-0, 176°F (80°C)

#### Plenum Rating

UL 2043 Plenum Rated

#### Dimensions

2.97" x 1.64" x 1.7" with a 1/2" threaded nipple  
(76 mm x 42 mm x 43 mm)

#### Weight

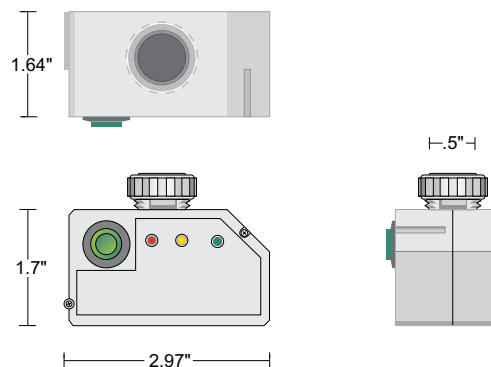
6.4 oz. (0.18 kg)

### Benefits:

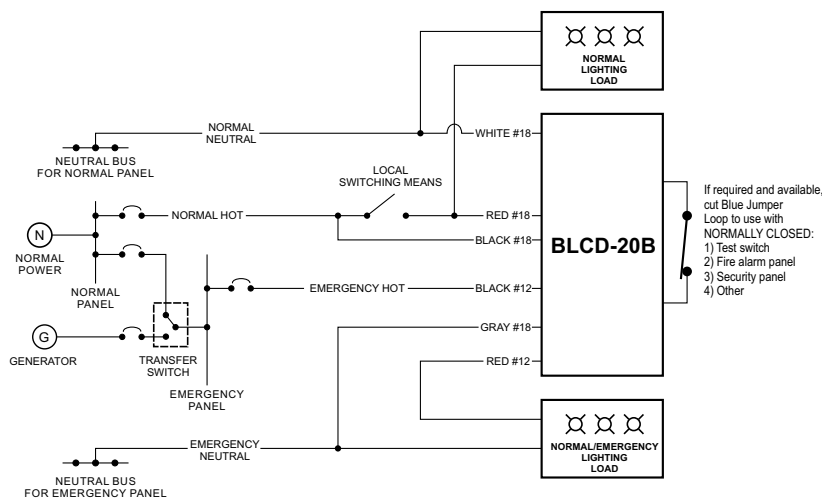
- Allows generator supplied emergency lighting regardless of wall switch position
- Energy cost savings benefits by eliminating constant night lighting
- Compatible with LED and fluorescent loads up to 20A and incandescent loads up to 10A.
- Small size - Can be mounted onto a junction box
- Designed with Auto Select to detect proper input voltage
- Plenum Rated (UL 2043)
- Interfaces with fire alarm panel or security system

### Dimensions

2.97" x 1.64" x 1.7"



# BLCD-20B Emergency lighting control unit



## Application

The BLCD-20B works in conjunction with an auxiliary generator or central inverter system. The unit is designed to control lighting in areas where emergency lighting fixtures are connected on dedicated emergency lighting circuits that are typically on 24 hours per day. The BLCD-20B allows normal control of emergency lighting for energy savings and/or task related reasons while strictly adhering to National Electric Code (NEC) requirements. It is suitable for any application where enhanced energy saving of emergency lighting is desired.

## Operation

The BLCD-20B senses the loss of normal power and switches the lighting load, connecting it to a user-designated emergency circuit. No routine maintenance is required to keep the BLCD-20B functional; however, like other life safety unit equipment, it should be checked periodically to ensure that it is working properly.

## Installation

The BLCD-20B does not affect normal fixture operation and comes fully assembled for immediate installation. In addition to available wiring, the device requires a direct, unswitched connection to a normal power circuit and, depending on the application, an unswitched connection to a generator-supplied or central inverter system-supplied emergency panel. See wiring diagram for typical installation.

## UI And Code Compliance

The BLCD-20B has been tested by Underwriters Laboratories in accordance with the standards set forth in UL 924 as "Emergency Lighting Equipment" and UL 2043 as plenum rated. The BLCD-20B is UL and cUL listed for field installation.

## Specification

Emergency egress lighting shall be provided by using existing lighting loads equipped with a Bodine BLCD-20B emergency lighting relay control unit. The unit shall be capable of controlling dedicated emergency lighting fixtures and energizing them when normal utility power has been lost. The unit shall consist of relay switching circuitry, a test switch, a normal power indicator light and an alternate power indicator light contained in one 2.97"x 1.64"x 1.7" enclosure; shall sense normal power at 120 or 277 VAC, 50/60 Hz; and be rated for 120 or 277 VAC, 50/60 Hz at up to 20 amps of lighting load. The unit shall be UL Listed for field installation and shall be warranted for a full three years from date of purchase.

## Warranty

The BLCD-20B emergency lighting control unit is warranted for three (3) full years from date of purchase. Please see detailed warranty information on our web site.

