



**Features**

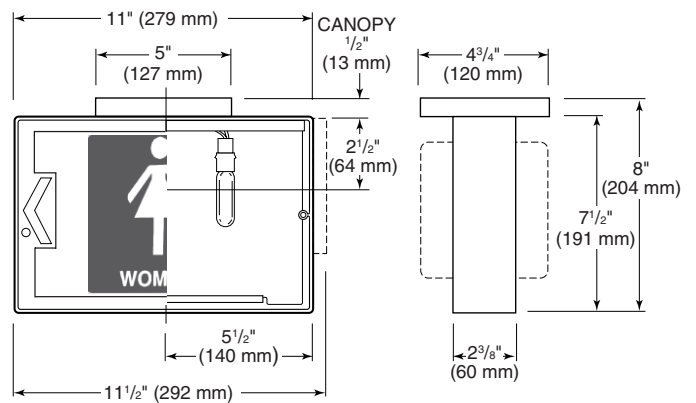
**AC Models**

- Thermoplastic housing
- Steel faceplate
- Polyester fiberglass special wording open face diffuser
- Acrylic downlight lens
- Canopy for ceiling or end mount
- Universal directional chevron arrow knockouts
- Tamper resistant screws supplied
- 120VAC operation
- AC illumination provided by two 145V, 15T6 incandescent lamps
- Suitable for damp locations (AC models only)

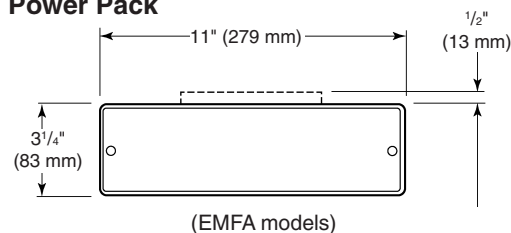
**Emergency Models**

- 6 volt, maintenance-free battery
- High impact housing
- Dual voltage – 120V/277VAC
- Two 6V, 3.7W DC lamps for emergency operation
- Temperature range: 20°C to 30°C (68°F to 86°F)

**Dimensions**



**Power Pack**



## Open Face AC-Only Incandescent Exit Signs

### Construction

**Sign:** Flame-rated, UV stable thermoplastic housing with matching canopy and steel face(s)

**Sign Finish:** Bright white

**Diffuser:** Fiberglass reinforced polyester

**Diffuser Color:** Red or Green

### Face Design

**Faceplate:** Open face for special wording applications

**Directional Arrows:** Snap-out chevron type

### Illumination

**AC Lamps:** Two 145V, 15T6 incandescent

**DC Lamps:** Two 6V, 3.7W wedge base incandescent (emergency models only)

**Rated AC Lamp Life:** 5,000 hours

### Installation

**Mounting:** Sign mounts to 3 1/2", 4" octagon, or 4" square outlet boxes and standard plaster rings.

**Wall Installations:** Back plate provides a knockout pattern for mounting to outlet box. Knockouts provided for securing housing to wall surface.

**Ceiling or End Installations:** Mounting canopy provided with all models. Canopy mounts to outlet boxes by means of mounting plate supplied.

**Wiring:** Pre-stripped AC input pigtail leads provided.

### Operating Temperature Range

20°C to 30°C (68°F to 86°F).

### Electronics

**Input:** 120VAC, 60 Hz (AC models). 120/277VAC standard on emergency models

**Emergency Operation Module (Externally Mounted)**

**Charger:** Voltage regulated, thermally compensated

**Built-in Protection:** Reverse polarity, short circuit, brownout, AC lockout and low battery voltage protection

**Recharge Cycle:** Per acceptable time standards

**Test Means:** Integral test switch

**Indicators:** AC-On indicator

### Battery

**Type:** 6 Volt maintenance-free lead-acid

### Power Consumption (Max)

AC Models: 24 Watts (120VAC)

Emergency Models: 28 Watts (120 or 277VAC)

### Compliances

Meets general brightness and uniformity standards

Meets industrial damp location requirements

(AC models only)

### Warranty

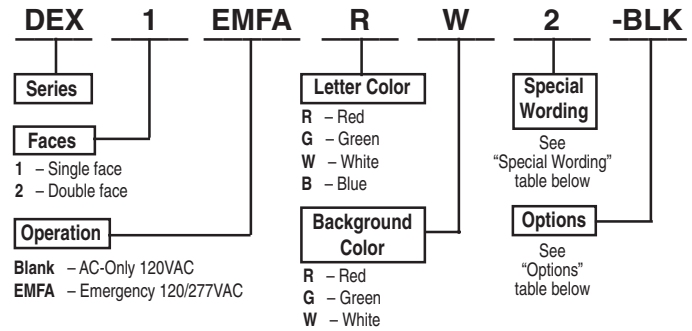
AC Models: 3-years full

Emergency Models: Unit and Electronics: 3-years full

Battery: 1 year full, 5 years pro-rata (6 years total)

### Ordering Information

**Example:**



### Special Wording Table

No.	Description
-SW1	TO EXIT
-SW2	NOT AN EXIT
-SW3	IN USE
-SW4	XRAY IN USE
-SW5	DARKROOM IN USE
-SW6	CAUTION
-SW7	DO NOT ENTER
-SW8	TEST IN PROGRESS
-SW9	ON AIR
-SW10	AREA OF REFUGE
-SW11	AREA OF REFUGE (w/wheelchair symbol)
-SW12	AREA OF RESCUE ASSISTANCE
-SW13	AREA OF RESCUE ASSISTANCE (w/wheelchair symbol)
-SW14	ELEVATOR
-SW15	RESTROOMS
-SW16	MEN
-SW17	MEN (w/symbol)
-SW18	WOMEN
-SW19	WOMEN (w/symbol)
-SW20	STAIRS

### Accessories (order separately)

WG-MLT	Wire guard (wall mount - all)
WGLXC	Wire guard (ceiling mount - AC models only)
WGLXE	Wire guard (end mount - all)
PMEXW	12" pendant stem and canopy kit – white
PMEXB	12" pendant stem and canopy kit – black
VRS3	Vandal resistant shield

Other Special Wording models available. Consult Factory.

\* To order special wording diffusers, add Option Number suffix to model number. Ex: DEX1EMFARW-SW10

### Suggested Specifications

Sign housing construction shall be thermoplastic with steel faceplate frame(s) in a (bright white)(black) finish. Signs shall be (single face)(double face) design and capable of back, ceiling, or end mount installation. Sign face will provide an open face diffuser for special wording applications and feature universal directional knock-out chevrons. Mounting canopies will be provided with all models and will be of identical construction and color to match the unit frame. Signs will be designed to mount to 3 1/2" or 4" octagon, 4" square or standard plaster rings.

AC DEX Series models shall provide 120VAC, 60 Hz operation. Normal AC illumination will be provided by two 145V, 15T6 incandescent lamps with a normal life of 5,000 hours.

Emergency DEX Series models shall be available through an external (factory)(field) installed fully automatic emergency operation module. Illumination on emergency models will be provided by two incandescent 6 volt, 3.7 watt DC lamps. All emergency models shall provide universal 120/277VAC, 60 Hz input. A maintenance-free lead-acid battery designed to provide a minimum of 90 minutes of emergency operation in an ambient temperature range of 20° to 30°C to an end voltage of 87.5% of nominal battery voltage will be provided. Charger shall be solid state design and feature an AC status indicator and integral test switch. The unit charger will be capable of recharging the battery within acceptable time standards

All DEX Series models will provide sufficient lumen output and uniformity to satisfy general special wording sign requirements. AC DEX Series models shall be suitable for damp locations.

Optional equipment will include:

Dimensions to be (7 1/2" (191 mm) high x 11" (279 mm) wide x 2 3/8" (60 mm) deep for AC models) (10 3/4" (274 mm) high x 11" (279 mm) wide x 2 3/8" (60 mm) deep for emergency models). Add 1/2" (13 mm) for canopy if required.