



DYNR

NEMA 4X / C1D2 / C2D1 INDUSTRIAL REMOTE

DATE: _____ LOCATION: _____

TYPE: _____ PROJECT: _____

CATALOG #: _____



FEATURES

- Matching LED Remote for DYNAMO Series
- Available in wet/NEMA 4X or Food Processing Option
- Food Processing Option adds a shield
- Single or Double Lamp-head
- Designed for -22°F to 122°F (-30°C to 50°C)



RELATED PRODUCTS

- Ø [DYNAMO DYN Series](#)
- Ø [DYNAMO DYNC Series](#)



SPECIFICATIONS

CONSTRUCTION

- The DYNR series, remote housing and shield are made of polycarbonate
- Lamp-heads are made of die-cast aluminum for thermal dissipation
- LED lenses are made of polycarbonate.
- The Food Processing(FP) and Class 2, Division 1(C2D1) optioned DYNR includes a clear polycarbonate shield which fully covers the lamp-heads

OPTICS

- The DYN series provides bright and uniform illumination and is specifically designed for higher mounting heights above 9'
- Coverage provided by 2 sealed aluminum lamp-heads using 3 high power LEDs each

INSTALLATION

- The unit includes a universal mounting plate which facilitates mounting to a truss or I-beam, pole, column, or wall
- Included is a special bracket to ensure positive pole gripping when using bands.
- In wet or NEMA 4X applications, use UL listed water tight conduit fittings that meet the requirements of the UL 514B Standard for Conduit Tubing and Cable Fittings when using knockouts on the side or top of unit
- All fittings supplied by others.
- C1D2 and C2D1 listed models include 2 each hazardous location rated conduit hubs with ground provision

ELECTRICAL

- Upon failure of the normal utility power, a LED driver is automatically activated to power the emergency LED lamp-heads
- 12.8vdc at 3 watts per head provided exclusively from a DYN12 or DYN12I with remote capacity
- The DYNR remote can be located up to 100' from the source unit using 12 gage wire.

COMPLIANCES

- Listed to UL924 Standard, NFPA 101, NFPA 70
- Wet Location, NEMA 4, 4X rated
- UL Sanitation Certified with FP Option
- IP66 rated for 4X models only
- C1D2 and C2D1 optioned products; Listed to Standard 924 and Standard 844 (Hazardous Location)
- NEC Class 1 Division 2 Groups A, B, C, D
- NEC Class 2, Division 1 Groups E, F and G
- NEC Class 3
- CEC T20 Compliant

WARRANTY

- LED Lifetime Warranty
- DYNR Remote - 3 Years Full
- See [HLI Standard Warranty](#) for additional information



DYNR

NEMA 4X / C1D2 / C2D1 INDUSTRIAL REMOTE

DATE: _____ LOCATION: _____

TYPE: _____ PROJECT: _____

CATALOG #: _____

ORDERING GUIDE

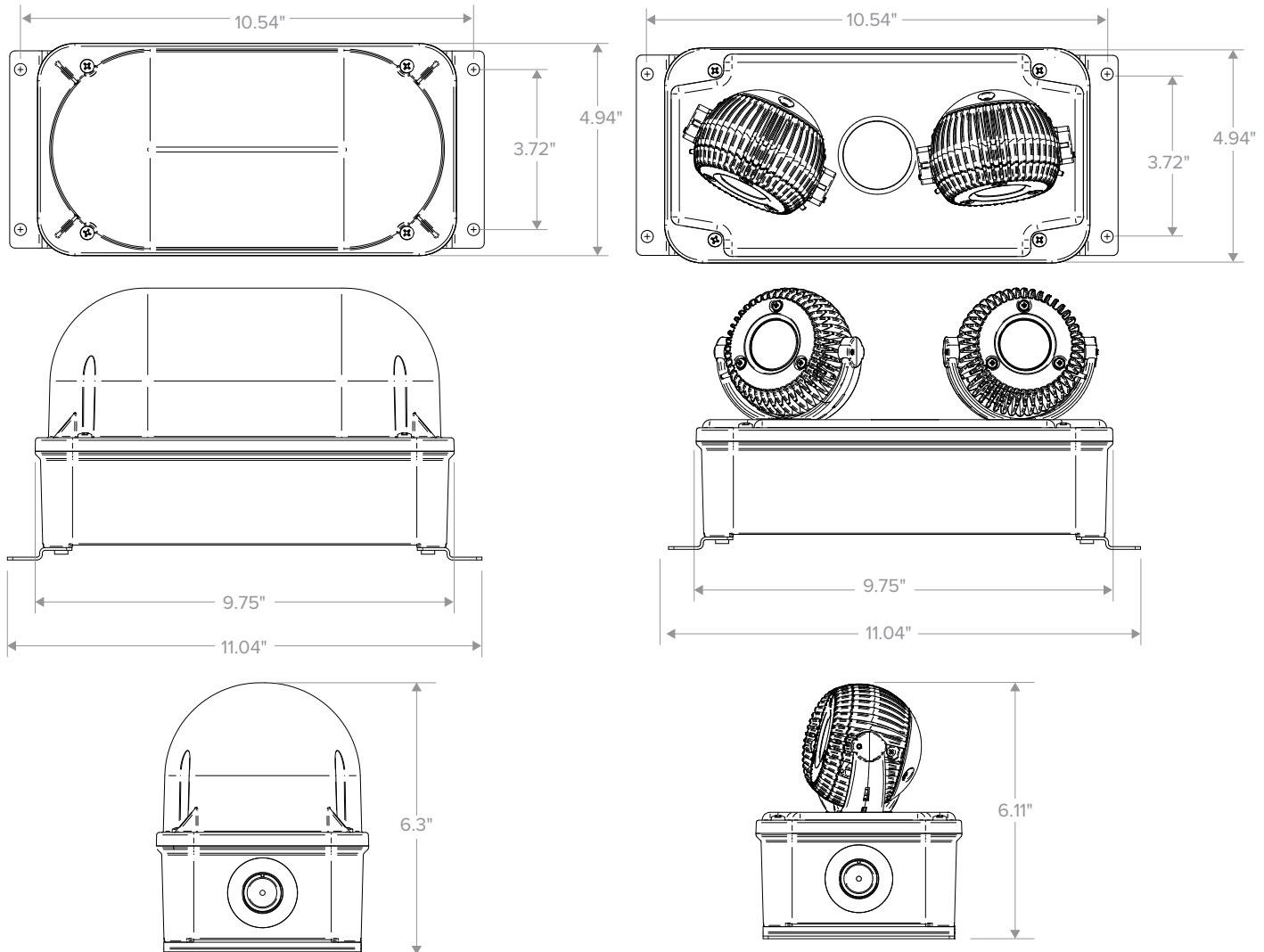
Example: DYNRS4X-FP

CATALOG #

DYNR		Housing		Heads		Application		Options	
DYNR	Dynamo Remote	S	Single ¹	4X	NEMA 4X/ IP66 Rated			Blank	NEMA 4X
		D	Double ²	C1D2	Class 1, Div. 2 ³			FP	Food Processing Rated with Shield ⁴
				C2D1	Class 2, Div. 1 with Shield ³				

- Notes:
- 1 DYNRS single head must be ordered with 4X or 4X-FP
 - 2 DYNRD double-head must be ordered with 4X, 4X-FP, C1D2, C2D1
 - 3 C1D2 and C2D1 only available with double-head
 - 4 FP option only available with 4X

DIMENSIONS



Dimensional Drawings