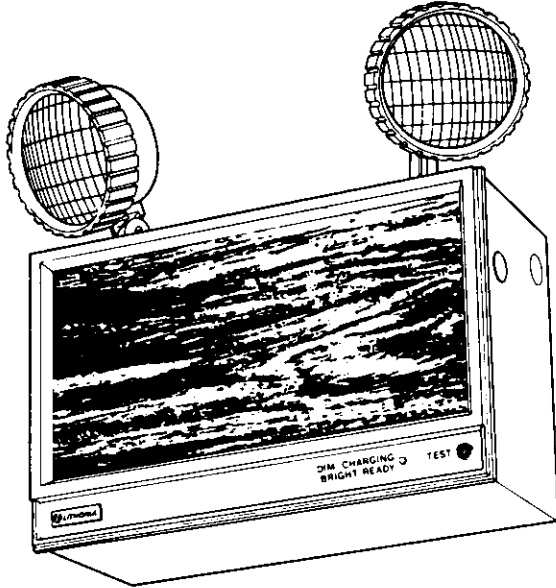


An advanced and reliable unit that operates lamps, remotes, and exits up to rated capacity.



Lead Calcium

SPECIFICATIONS

CONSTRUCTION

- Engineering-grade tan thermoplastic housing is strong, compact, and corrosion-resistant. UL94V-0 flame rating.
- Two 12-watt glass sealed-beam PAR36 lamps. Heads rotate 359°. Five lamp mounting parts built into housing.
- Hinged housing and captive screw simplify installation/maintenance.
- Dual voltage input capability (120 or 277 volts).

BATTERY

- Sealed, maintenance-free lead calcium battery provides 50 watts rated capacity. Ensures long life over wide temperature ranges.
- 24-hour battery recharge after a 90-minute discharge.
- Low-voltage disconnect prevents excessively deep discharge that can permanently damage the battery.
- Test switch and dual-level charge rate indication LED. Bright ready/Dim charge.

ELECTRONICS

- Brownout protection.
- Current-limiting charger maximizes battery life and minimizes energy consumption. Provides low operating costs.
- Short-circuit protection – current-limiting charger circuitry and fused output circuit protect printed circuit board from shorts.
- Thermal protection – senses circuitry temperature and adjusts charge current to prevent overheating and charger failure.
- Thermal compensation – adjusts charger output to provide optimum charge voltage relative to ambient temperature.
- Regulated charge voltage – maintains constant-charge voltage over a wide range of line voltages. Prevents over/undercharging that shortens life and reduces capacity.
- Filtered charger output – minimizes charge voltage ripple and extends battery life.
- AC/LVD reset – permits testing of unit at time of installation and ensures full 90-minute discharge.

CODES

- U.L. Listed – meets:
 - UL 924
 - NFPA 101-1988 (current Life Safety Code)
 - NEC and OSHA illumination standards

WARRANTY

- 3-year total customer satisfaction warranty. (For complete details, see Warranty Sheet in Emergency Systems catalog.)

APPROVAL

JOB INFORMATION

ELU SERIES

ELU8
12 VOLT, 125 WATT

BATTERY SPECIFICATIONS

TYPE	VOLTAGE	SHELF LIFE*	EXPECTED LIFE*	MAINTENANCE	OPTIMUM TEMPERATURE**
Sealed Lead Calcium	12	6 months	5-8 Years	none +	60-90°F

*At 77°F

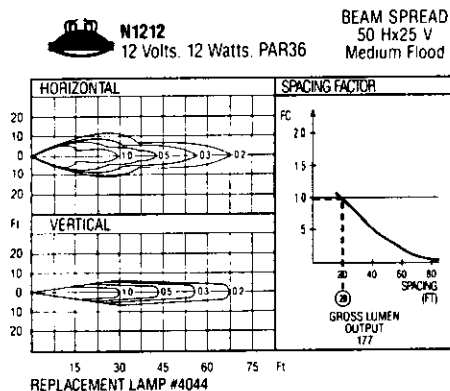
**Optimum ambient temperature range where unit will provide rated capacity for 90 minutes. Higher and lower temperatures affect life and capacity. Consult factory for detailed information.

+ Periodic systems status test recommended.

ELECTRICAL SPECIFICATIONS

VOLTS	MAXIMUM AC INPUT	
	AMPS	WATTS
120	.250	30
277	.108	30

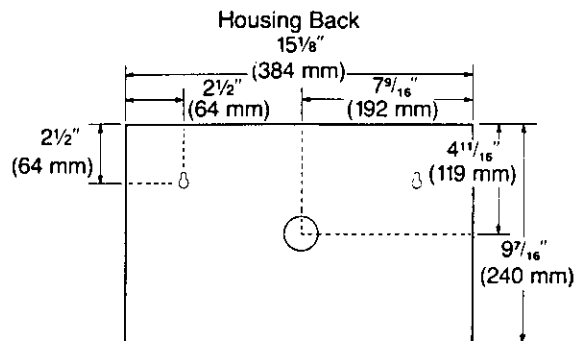
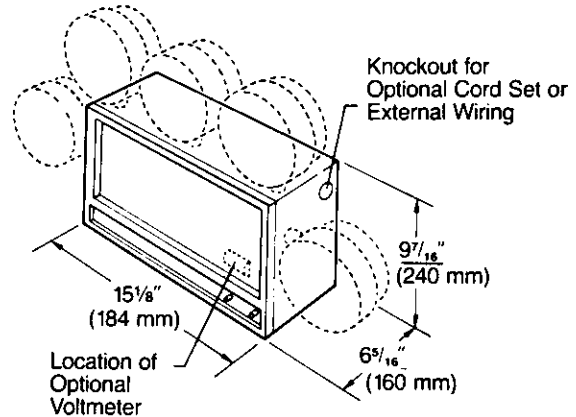
LAMP SPECIFICATIONS



SPACING FACTOR
Indicates the proper spacing between lamps to the chosen illuminance level (fc) ± 20%.
ISOFOOTCANDLE CURVES
Show distances in feet and isocurves in footcandles.

Lead Calcium MOUNTING SPECIFICATIONS

Lamp Heads Add 5 7/8" (148 mm) to Overall Height or Width



Shipping weight: 30.5 lbs. (13.8 kgs.)

RATED OUTPUT CAPACITY IN WATTS* EMERGENCY RUN TIME

1.5 HRS.	2 HRS.	3 HRS.	4 HRS.
125	93	62	46

*Watts to 87 1/2% of 12 Volts

FIXTURE SCHEDULE

Type	Catalog Number

REMARKS

ORDERING INFORMATION

Catalog Number **ELU8**

CONSTRUCTION OPTIONS

Add suffix to catalog number

V	Voltmeter
AM	Ammeter
CS	3 ft. cordset (120V only)
220V 50HZ	220V or 240V, 50 or 60 Hz input
RO	Less lamp heads
LD	Load disconnect switch
TD	Integrated time delay
W	White housing
LW	Less woodgrain

LAMP OPTIONS

Add suffix to catalog number

H	(2) 8W tungsten halogen lamps
H1212	(2) 12W tungsten halogen lamps
N1812	(2) 18W incandescent lamps
N2512	(2) 25W incandescent lamps

ACCESSORIES

Order as separate item

ELA MS4/8	Mounting shelf
ELA WG4/8	Wire guard
ELA TPK	Tamperproof kit - (4) side latches with (4) torx head screws

See accessories section for details on remote fixtures and other compatible devices.

LITHONIA
EMERGENCY SYSTEMS
LIFE SAFETY SYSTEMS
A DIVISION OF LITHONIA LIGHTING