

## PARATHOM PAR16

LED reflector lamps PAR16 with retrofit pin base



### Areas of application

- Shops
- Hospitality
- Museums, art galleries
- Residential interiors
- As a downlight for marking walkways, doors, stairs, etc.
- Spotlighting for accents
- Display cabinets and shop windows
- Spotlighting heat-sensitive objects such as food, plants, etc.
- Outdoor applications only in suitable luminaires

### Product benefits

- Low energy consumption
- Easy replacement of halogen lamps due to compact full glass design and single optic
- Instant 100 % light, no warm-up time
- Ideal for economical spotlighting

### Product features

- Professional LED alternative to high voltage halogen lamps
- Mercury-free lamps
- Made in Germany



## Product family datasheet

### Technical data

Product description	Electrical data		Photometrical data			
	Nominal wattage	Nominal voltage	Luminous intensity	Nominal luminous flux	Rated color temperature	Light color (designation)
PARATHOM PAR16 50 36° 5 W/827 GU10 <sup>1)</sup>	5.00 W	220...240 V	850 cd	350 lm	2700 K	Warm White
PARATHOM PAR16 80 36° 6.7 W/830 GU10 <sup>1)</sup>	6.70 W	220...240 V	1439 cd	575 lm	3000 K	Warm White
P PAR 16 35 36° 2.6 W/827 GU10 <sup>1)</sup>	2.60 W	220...240 V	565 cd	230 lm	2700 K	Warm White
P PAR 16 35 36° 2.6 W/830 GU10 <sup>1)</sup>	2.60 W	220...240 V		230 lm	3000 K	Warm White
P PAR 16 50 36° 4.3 W/827 GU10 <sup>1)</sup>	4.30 W	220...240 V	850 cd	350 lm	2700 K	Warm White
P PAR 16 50 36° 4.3 W/830 GU10 <sup>1)</sup>	4.30 W	220...240 V	850 cd	350 lm	3000 K	Warm White
P PAR 16 50 120° 4.3 W/827 GU10 <sup>1)</sup>	4.30 W	220...240 V	130 cd	350 lm	2700 K	Warm White
P PAR 16 50 120° 4.3 W/830 GU10 <sup>1)</sup>	4.30 W	220...240 V		350 lm	3000 K	Warm White
P PAR 16 80 36° 6.9 W/827 GU10 <sup>1)</sup>	6.90 W	220...240 V	1164 cd	575 lm	2700 K	Warm White
P PAR 16 80 36° 6.9 W/830 GU10 <sup>1)</sup>	6.90 W	220...240 V	1439 cd	575 lm	3000 K	Warm White
P PAR 16 80 36° 6.9 W/840 GU10 <sup>1)</sup>	6.90 W	220...240 V	1439 cd	575 lm	4000 K	Cool White
P PAR 16 80 120° 6.9 W/827 GU10 <sup>1)</sup>	6.90 W	220...240 V	180 cd	575 lm	2700 K	Warm White
P PAR 16 80 120° 6.9 W/830 GU10 <sup>1)</sup>	6.90 W	220...240 V	180 cd	575 lm	3000 K	Warm White
P PAR 16 80 120° 6.9 W/840 GU10 <sup>1)</sup>	6.90 W	220...240 V	180 cd	575 lm	4000 K	Cool White

Product description	Light technical data					Dimensions & weight
	Beam angle	Warm-up time (60 %)	Starting time	Rated beam angle (half peak value)	Nominal beam angle	Overall length
PARATHOM PAR16 50 36° 5 W/827 GU10 <sup>1)</sup>	36.00 °	0.30 s	0.1 s	36.00 °	36.00 °	58.0 mm
PARATHOM PAR16 80 36° 6.7 W/830 GU10 <sup>1)</sup>	36.00 °	0.30 s	0.1 s	36.00 °	36.00 °	58.0 mm
P PAR 16 35 36° 2.6 W/827 GU10 <sup>1)</sup>	36 °	< 0.50 s	< 0.5 s	36.00 °	36 °	55.0 mm
P PAR 16 35 36° 2.6 W/830 GU10 <sup>1)</sup>	36 °	< 0.50 s	< 0.5 s	36.00 °	36 °	55.0 mm
P PAR 16 50 36° 4.3 W/827 GU10 <sup>1)</sup>	36 °	< 0.50 s	< 0.5 s	36.00 °	36 °	52.0 mm

## Product family datasheet

Product description	Light technical data					Dimensions & weight
	Beam angle	Warm-up time (60 %)	Starting time	Rated beam angle (half peak value)	Nominal beam angle	Overall length
P PAR 16 50 36° 4.3 W/830 GU10 <sup>1)</sup>	36 °	< 0.50 s	< 0.5 s	36.00 °	36 °	52.0 mm
P PAR 16 50 120° 4.3 W/827 GU10 <sup>1)</sup>	120 °	< 0.50 s	< 0.5 s	120.00 °	120 °	55.0 mm
P PAR 16 50 120° 4.3 W/830 GU10 <sup>1)</sup>	120 °	< 0.50 s	< 0.5 s	120.00 °	120 °	55.0 mm
P PAR 16 80 36° 6.9 W/827 GU10 <sup>1)</sup>	36 °	< 0.50 s	< 0.5 s	36.00 °	36 °	55.0 mm
P PAR 16 80 36° 6.9 W/830 GU10 <sup>1)</sup>	36 °	< 0.50 s	< 0.5 s	36.00 °	36 °	55.0 mm
P PAR 16 80 36° 6.9 W/840 GU10 <sup>1)</sup>	36 °	< 0.50 s	< 0.5 s	36.00 °	36 °	55.0 mm
P PAR 16 80 120° 6.9 W/827 GU10 <sup>1)</sup>	120 °	< 0.50 s	< 0.5 s	120.00 °	120 °	55.0 mm
P PAR 16 80 120° 6.9 W/830 GU10 <sup>1)</sup>	120 °	< 0.50 s	< 0.5 s	120.00 °	120 °	55.0 mm
P PAR 16 80 120° 6.9 W/840 GU10 <sup>1)</sup>	120 °	< 0.50 s	< 0.5 s	120.00 °	120 °	55.0 mm

Product description	Lifespan			Additional product data	Capabilities	Certificates & standards
	Nominal lamp life time	Rated lamp life time	Number of switching cycles	Base (standard designation)	Dimmable	Energy consumption
PARATHOM PAR16 50 36° 5 W/827 GU10 <sup>1)</sup>	15000 h	15000 h	100000	GU10	No	5 kWh/1000h
PARATHOM PAR16 80 36° 6.7 W/830 GU10 <sup>1)</sup>	15000 h	15000 h	100000	GU10	No	7 kWh/1000h
P PAR 16 35 36° 2.6 W/827 GU10 <sup>1)</sup>	25000 h	25000 h	100000	GU10	No	3 kWh/1000h
P PAR 16 35 36° 2.6 W/830 GU10 <sup>1)</sup>	25000 h	25000 h	100000	GU10	No	3 kWh/1000h
P PAR 16 50 36° 4.3 W/827 GU10 <sup>1)</sup>	25000 h	25000 h	100000	GU10	No	4 kWh/1000h
P PAR 16 50 36° 4.3 W/830 GU10 <sup>1)</sup>	25000 h	25000 h	100000	GU10	No	4 kWh/1000h
P PAR 16 50 120° 4.3 W/827 GU10 <sup>1)</sup>	25000 h	25000 h	100000	GU10	No	4 kWh/1000h
P PAR 16 50 120° 4.3 W/830 GU10 <sup>1)</sup>	25000 h	25000 h	100000	GU10	No	4 kWh/1000h
P PAR 16 80 36° 6.9 W/827 GU10 <sup>1)</sup>	15000 h	15000 h	100000	GU10	No	7 kWh/1000h
P PAR 16 80 36° 6.9 W/830 GU10 <sup>1)</sup>	25000 h	25000 h	100000	GU10	No	7 kWh/1000h
P PAR 16 80 36° 6.9 W/840 GU10 <sup>1)</sup>	15000 h	15000 h	100000	GU10	No	7 kWh/1000h
P PAR 16 80 120° 6.9 W/827 GU10 <sup>1)</sup>	25000 h	25000 h	100000	GU10	No	7 kWh/1000h

## Product family datasheet

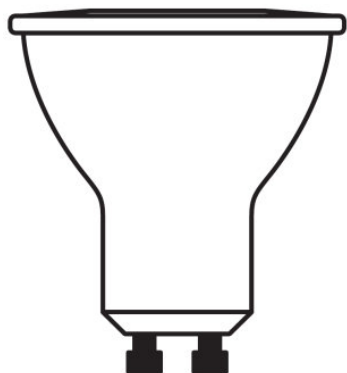
Product description	Lifespan			Additional product data Base (standard designation)	Capabilities Dimmable	Certificates & standards Energy consumption
	Nominal lamp life time	Rated lamp life time	Number of switching cycles			
P PAR 16 80 120° 6.9 W/830 GU10 <sup>1)</sup>	25000 h	25000 h	100000	GU10	No	7 kWh/1000h
P PAR 16 80 120° 6.9 W/840 GU10 <sup>1)</sup>	15000 h	15000 h	100000	GU10	No	7 kWh/1000h

Product description	Energy efficiency class	Country specific categorizations	
		ILCOS	Order reference
PARATHOM PAR16 50 36° 5 W/827 GU10 <sup>1)</sup>	A+	DRPAR-5/827-220-240-GU10-50/36	PPAR165036 5W/8
PARATHOM PAR16 80 36° 6.7 W/830 GU10 <sup>1)</sup>	A+	DRPAR-6,7/830-230-GU10-50/36	PPAR168036 6,7W
P PAR 16 35 36° 2.6 W/827 GU10 <sup>1)</sup>	A+	DRPAR-2,6/827-220-240-GU10-50/36	LPPAR163536 2,6
P PAR 16 35 36° 2.6 W/830 GU10 <sup>1)</sup>	A+		LPPAR163536 2,6
P PAR 16 50 36° 4.3 W/827 GU10 <sup>1)</sup>	A+	DRPAR-4,3/827-220-240-GU10-50/36	LPPAR1650364,3W
P PAR 16 50 36° 4.3 W/830 GU10 <sup>1)</sup>	A+	DRPAR-4,3/830-220-240-GU10-50/36	LPPAR1650364,3W
P PAR 16 50 120° 4.3 W/827 GU10 <sup>1)</sup>	A+	DRPAR-4,3/827-220-240-GU10-50/36	LPPAR1650120 4,
P PAR 16 50 120° 4.3 W/830 GU10 <sup>1)</sup>	A+		LPPAR1650120 4,
P PAR 16 80 36° 6.9 W/827 GU10 <sup>1)</sup>	A+	DRPAR-6,9/827-220-240-GU10-50/36	LPPAR168036 6,9
P PAR 16 80 36° 6.9 W/830 GU10 <sup>1)</sup>	A+	DRPAR-6,9/830-220-240-GU10-50/36	LPPAR168036 6,9
P PAR 16 80 36° 6.9 W/840 GU10 <sup>1)</sup>	A+	DRPAR-6,9/840-220-240-GU10-50/36	LPPAR168036 6,9
P PAR 16 80 120° 6.9 W/827 GU10 <sup>1)</sup>	A+	DRPAR-6,9/827-220-240-GU10-50/120	LPPAR1680120 6,
P PAR 16 80 120° 6.9 W/830 GU10 <sup>1)</sup>	A+	DRPAR-6,9/830-220-240-GU10-50/120	LPPAR1680120 6,

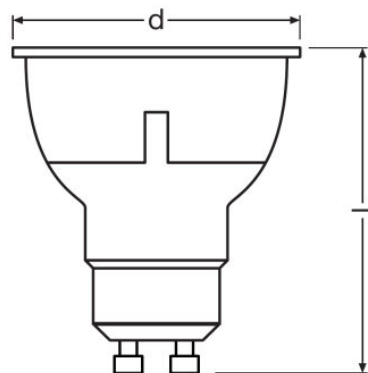
## Product family datasheet

Product description	Energy efficiency class	Country specific categorizations	
		ILCOS	Order reference
P PAR 16 80 120° 6.9 W/840 GU10 <sup>1)</sup>	A+	DRPAR-6,9/840-220-240-GU10-50/120	LPPAR1680120 6,

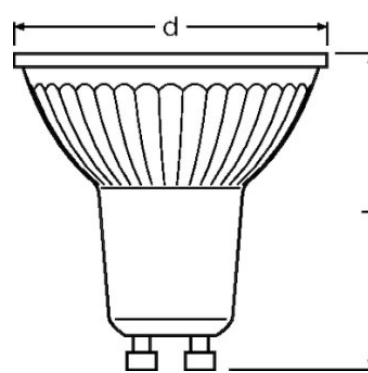
<sup>1)</sup> All technical parameters apply to the entire lamp/Due to the complex production process for light-emitting diodes, the typical values shown for the technical LED parameters are purely statistical values that do not necessarily match the actual technical parameters of each individual product, which can vary from the typical value



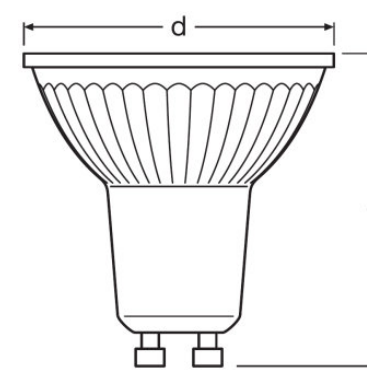
PARATHOM PAR16 50 36° 5 W/827  
GU10



PARATHOM PAR16 80 36° 6.7 W/830  
GU10



P PAR 16 35 36° 2.6 W/827 GU10, P  
PAR 16 35 36° 2.6 W/830 GU10, P PAR  
16 50 36° 4.3 W/830 GU10, P PAR 16  
50 120° 4.3 W/827 GU10, P PAR 16 50  
120° 4.3 W/830 GU10, P PAR 16 80  
36° 6.9 W/830 GU10, P PAR 16 80 36°  
6.9 W/840 GU10, P PAR 16 80 120°  
6.9 W/827 GU10, P PAR 16 80 120°  
6.9 W/830 GU10, P PAR 16 80 120°



P PAR 16 50 36° 4.3 W/827 GU10, P  
PAR 16 80 36° 6.9 W/827 GU10

## Product family datasheet

6.9 W/840 GU10

### Application advice

For more detailed application information and graphics please see product datasheet.

### Logistical Data

Product code	Product description	Packaging unit (Pieces/Unit)	Dimensions (length x width x height)	Volume	Gross weight
4052899943827	PARATHOM PAR16 50 36° 5 W/827 GU10	Shipping carton box 10	267 mm x 111 mm x 77 mm	2.28 dm <sup>3</sup>	520.00 g
4052899943872	PARATHOM PAR16 80 36° 6.7 W/830 GU10	Shipping carton box 10	267 mm x 111 mm x 77 mm	2.28 dm <sup>3</sup>	665.00 g
4052899958050	P PAR 16 35 36° 2.6 W/827 GU10	Shipping carton box 10	257 mm x 110 mm x 70 mm	1.98 dm <sup>3</sup>	548.40 g
4058075815414	P PAR 16 35 36° 2.6 W/830 GU10	Shipping carton box 10	257 mm x 110 mm x 70 mm	1.98 dm <sup>3</sup>	598.40 g
4052899958104	P PAR 16 50 36° 4.3 W/827 GU10	Shipping carton box 10	257 mm x 110 mm x 70 mm	1.98 dm <sup>3</sup>	548.40 g
4052899451735	P PAR 16 50 36° 4.3 W/830 GU10	Shipping carton box 10	257 mm x 110 mm x 70 mm	1.98 dm <sup>3</sup>	548.40 g
4052899958111	P PAR 16 50 120° 4.3 W/827 GU10	Shipping carton box 10	257 mm x 110 mm x 70 mm	1.98 dm <sup>3</sup>	548.40 g
4058075023475	P PAR 16 50 120° 4.3 W/830 GU10	Shipping carton box 10	257 mm x 110 mm x 70 mm	1.98 dm <sup>3</sup>	548.40 g
4052899958173	P PAR 16 80 36° 6.9 W/827 GU10	Shipping carton box 10	257 mm x 110 mm x 70 mm	1.98 dm <sup>3</sup>	548.40 g

## Product family datasheet

Product code	Product description	Packaging unit (Pieces/Unit)	Dimensions (length x width x height)	Volume	Gross weight
4058075815650	P PAR 16 80 36° 6.9 W/830 GU10	Shipping carton box 10	255 mm x 107 mm x 72 mm	1.96 dm <sup>3</sup>	551.40 g
4052899958180	P PAR 16 80 36° 6.9 W/840 GU10	Shipping carton box 10	257 mm x 110 mm x 70 mm	1.98 dm <sup>3</sup>	548.40 g
4058075815872	P PAR 16 80 120° 6.9 W/827 GU10	Shipping carton box 10	255 mm x 107 mm x 72 mm	1.96 dm <sup>3</sup>	551.40 g
4058075815636	P PAR 16 80 120° 6.9 W/830 GU10	Shipping carton box 10	255 mm x 107 mm x 72 mm	1.96 dm <sup>3</sup>	551.40 g
4058075815674	P PAR 16 80 120° 6.9 W/840 GU10	Shipping carton box 10	255 mm x 107 mm x 72 mm	1.96 dm <sup>3</sup>	551.40 g

The mentioned product code describes the smallest quantity unit which can be ordered. One shipping unit can contain one or more single products. When placing an order, for the quantity please enter single or multiples of a shipping unit.

---

### References / Links

For further products and actual information concerning LED lamps see

▶ [www.osram.com/ledlamps](http://www.osram.com/ledlamps)

For Guarantee see

▶ [www.osram.com/guarantee](http://www.osram.com/guarantee)

---

### Disclaimer

Subject to change without notice. Errors and omission excepted. Always make sure to use the most recent release.