

KS Series 6, 12 & 24 Volt Harsh Environment Enclosures



Small "S" Enclosure
High Impact Thermoplastic Housing
 Weather & Corrosion-resistant
 18 to 110 watts
 6, 12 & 24 volts

Large "L" Enclosure
Fiberglass Housing
 U.L. Listed NEMA Enclosure
 160 and 175 watts 6 & 12 volts

Standard Features

Reliability

The **KS Series** comes complete with a 3-year full warranty, (excluding lamps and fuses).

Unit Enclosure Data

Both the "S" and "L" enclosure are weather and corrosion-resistant. The "L" enclosure is a U.L. Listed NEMA enclosure. Both include separate battery compartments, fully gasketed door, stainless steel hardware and weather and corrosion-resistant lighting heads installed. The "S" enclosure is constructed of high impact thermoplastic and the "L" enclosure is constructed of fiberglass.

Charger

PulsePlus circuitry offers 120/277 Vac, 60 Hz., 0.3/0.15 Amp (other inputs available), fused output circuit(s), dual diagnostic indicator lights, temperature compensation, sealed relay, low voltage battery disconnect, brownout protection and lockout (automatic battery connect).

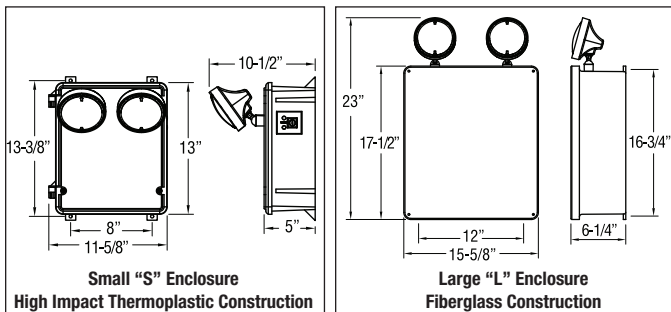
Optional Features

Description	Add Suffix
Advanced Diagnostics (lead only)	-AD
Advanced Diagnostics, non-audible	-ADNA
Lamp Disconnect Switch	-K
Time Delay (Specify 5, 10 or 15 minutes)	-D1, D2, D3*
Temperature Control, 120 volt heater	-H1
Temperature Control, 277 volt heater	-H2
Cord & Plug for NEMA 4X Fiberglass Enclosure	-C**
Cord & Plug (TL 277 Volt)	-E**
Photometric Test Switch.....	-S
Voltmeter	-V*
Ammeter	-A*
Tamper Proof Screws	-VR
Large Cabine	-FL
Top Mounted Heads	-TM

* Not required with the AD/ADNA option. **Standard 15 minutes with AD/ADNA option.
 **Standard cord is 3 ft. (custom lengths available).

Enclosure Outline and Dimensions

Dimensions are approximate and subject to change.



The **KS Series** is designed specifically for industrial applications involving severely corrosive or damp environments. The enclosures are chemical resistant, fully gasketed and come with stainless steel hardware. These units are ideally suited for areas such as food processing plants, marine locations and chemical plants.

UL Listed

Complies with NEC, Life Safety Code and OSHA.

Sealed Maintenance-Free Batteries

- Nickel-Cadmium • Long Life Lead
- Lead-Calcium (Free Electrolyte) • Lead-Calcium

Unit Rating Chart

Furnished standard with two 9 watt High Intensity Incandescent lamps.

UNIT EQUIPMENT - NO REMOTE CAPABILITY							
Sealed Maintenance-Free Battery Types	D.C. Voltage	Model Number	*Watts to 871/2% of rated battery voltage				Unit Housing
			1 1/2 hrs.	2 hrs.	3 hrs.	4 hrs.	
Nickel-Cadmium ?	6	KSC18-2-F**	18	12	10	7	S
Long Life Lead ?	6	KSE18-2-F	18	11	8	6	S
UNIT EQUIPMENT - WITH REMOTE CAPABILITY							
Nickel-Cadmium ?	6	KSC25-2-F**	25	18	9	5	S
	12	12KSC36-2-F**	36	21	12	6	S
	12	12KSC50-2-F**	50	36	18	10	S
	24	24KSC100-2-F	100	73	37	20	S
Long Life Lead ?	6	KSE27-2-F	27	19	10	5	S
	6	KSE36-2-F	36	24	13	7	S
	6	KSE54-2-F	54	36	20	11	S
	6	KSE80-2-F	80	65	35	19	S
	6	KSE110-2-F	110	74	43	21	S
	6	KSE160-2-F	160	130	70	38	L
	12	12KSE36-2-F	36	24	13	7	S
	12	12KSE54-2-F	54	37	21	10	S
	12	12KSE110-2-F	110	74	43	21	S
	24	24KSE110-2-F	110	74	43	21	S
Lead-Calcium (Free Electrolyte) ?	6	KC87-2-F	87	70	41	24	S
	6	KC100-2-F	100	77	47	24	L
	6	KC175-2-F	175	140	82	48	L
	12	12KC175-2-F	175	140	85	48	L
Lead-Calcium ?	6	KSM27-2-F	27	18	10	6	S
	6	KSM54-2-F	54	37	21	12	S
	6	KSM81-2-F	81	54	30	18	S
	6	KSM110-2-F	110	72	40	24	S
	12	12KSM54-2-F	54	37	21	12	S
	12	12KSM110-2-F	110	72	40	24	S
	24	24KSM110-2-F	110	72	40	24	S

*National Electrical Code Specification ? = Advanced diagnostics available
 **CSA NRTL UL924 Listed

How To Order (example)

For standard units without options only order Model Number

Options are added to units by listing suffix at end of model #

KS	E	18	- 2	ZD	F	- D1
Series	Battery Type	Watts	No. of Head	Lamp Option*	NEMA 4X	Option
	Long Life Lead for 90 min.		on unit	6V 9W incandescent	Enclosure	Time Delay

*see lamp data sheet for other lamp wattages.

NOTE: Includes standard lamp