

# LEDMPAL15 15 Watt Multi-Purpose LED Area Light



Project:	
Type:	
Catalog #:	

## STANDARD



The LEDMPAL series is a group of architectural LED area luminaires designed to illuminate parking areas, pathways, building facades, loading docks, and a wide variety of other large, general site lighting applications. Multiple mounting options make the LEDMPAL a versatile luminaire for flood lighting, pole-, ground- and wall-mounted area lighting, and other outdoor lighting requirements.

## FEATURES

- Available in 3000k (warm white), 4000K (neutral white) and 5000K (cool white).\*
- Long-life LEDs provide 69,000 hours of operation with at least 70% of initial lumen output (L<sub>70</sub>).\*\*
- Delivers 1,570 lumens & 105 lumens per watt (LPW) at 3000k; 1,615 lumens and 108 LPW at 4000k; and 1,667 lumens & 111 LPW at 5000k.\*
- Standard optic provides an IES roadway type V distribution, or a 7V (vertical) x 7H (horizontal) NEMA floodlight distribution.
- Universal 120-277 AC voltage (50-60Hz) is standard.
- Power factor > 0.90.
- Total harmonic distortion < 20%.
- Color rendering index > 80.
- Optional full glare shields, half glare shields & wire guards are available.
- Die cast aluminum housing with durable, dark bronze powder coat finish, and a heat-resistant polycarbonate lens.
- Wireway enclosure is sealed with a water-tight, silicon rubber gasket.
- Effective projected areas (EPA's) are:
  - Front = 0.05 square feet
  - Side = 0.04 square feet
  - Face = 0.12 square feet
- Easy installation in new construction or retrofit applications.

\* Contact factory for other color temperatures and lumen packages.

\*\* L<sub>70</sub> hours are IES TM-21-11 calculated hours.



Yoke-Mount Option



Knuckle-Mount Option

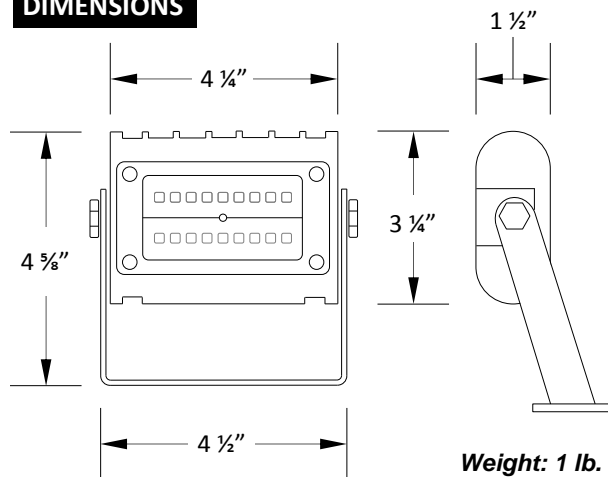
## WARRANTY & LISTINGS

- cULus listed for wet locations (-30°C to 40°C / -22°F to 104°F)
- IP65 rated.
- DLC standard approved.
- Complies with FCC Part 15, Class B.
- Complies with EN61000-4-5, surge immunity (1kV).
- 5-year warranty on all electronics and housing.

## MOUNTING OPTIONS

- Yoke-mount option provides secure attachment to flat surfaces.
- Aluminum die-cast knuckle-mount option is installed on a junction box. Includes ½" NPS stem with locking nut.

## DIMENSIONS



## ORDERING INFORMATION

Example: LEDMPAL15-Y-3K + MPAL15-FGS

Model	Luminaire Watts	Luminaire Lumens	Lumens / Watt	Mounting Options	Color Temperature	Shields & Wire Guards (See Line Drawings Below)
LEDMPAL15	15	1,570	105	Y = Yoke Mount	3K = 3000k	MPAL15-FGS = Full Glare Shield, 15W
		1,615	108	K = Knuckle Mount	4K = 4000k	MPAL15-HGS = Half Glare Shield, 15W
		1,667	111		5K = 5000k	MPAL15-WG = Wire Guard, 15W

# LEDMPAL15 15 Watt Multi-Purpose LED Area Light



## ELECTRICAL DATA

Model	Color Temperature	CRI <sup>1</sup>	Luminaire Lumens	Luminaire Watts	Lumens Per Watt	Input Voltage <sup>2</sup>	Input Current (A)			Power Factor	THD <sup>3</sup>	L <sub>70</sub> Hours <sup>4</sup>
							120V	240V	277V			
LEDMPAL15-3K	3000k	> 80	1,570	15	105	120-277	0.13	0.06	0.05	> 90%	< 20%	69,000
LEDMPAL15-4K	4000k	> 80	1,615	15	108	120-277	0.13	0.06	0.05	> 90%	< 20%	69,000
LEDMPAL15-5K	5000k	> 80	1,667	15	111	120-277	0.13	0.06	0.05	> 90%	< 20%	69,000

<sup>1</sup> Color rendering index.

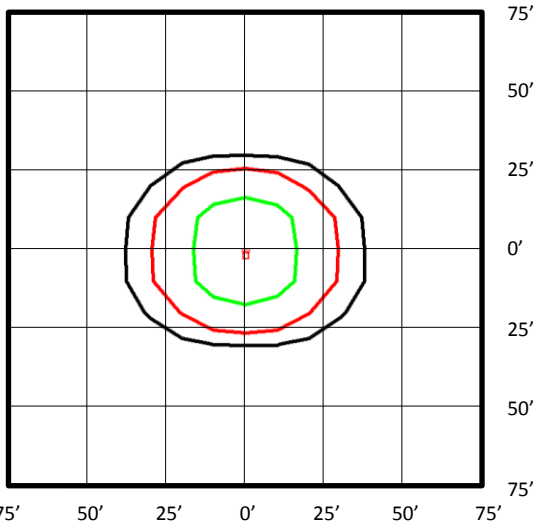
<sup>2</sup> All 50-60Hz.

<sup>3</sup> Total harmonic distortion.

<sup>4</sup> L<sub>70</sub> refers to the number of hours at which lumen output declines to 70% of the initial level. L<sub>70</sub> hours are IES TM-21-11 calculated hours.

## PHOTOMETRIC DATA

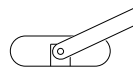
### LEDMPAL15-5K (1,667 Lumens, Type V Distribution)



#### Foot Candles

- 5.0
- 2.0
- 1.0
- 0.5
- 0.2
- 0.1

#### Luminaire Orientation:

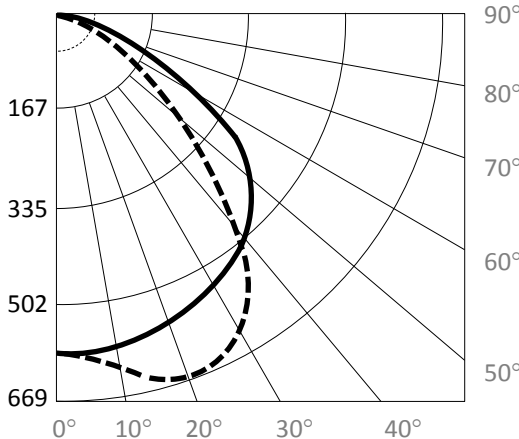


#### Notes:

- Isofootcandle plots depict initial footcandles at grade.
- Gridlines represent units of mounting height of 25 feet.

### BUG Rating: B1-U1-G0

Zone	Lumens	%
FL - Front - Low (0-30)	260	16%
FM - Front - Medium (30-60)	502	30%
FH - Front - High (60-80)	94	6%
FVH - Front - Very High (80-90)	6	0%
<b>Total Forward Light</b>	<b>862</b>	<b>52%</b>
BL - Back - Low (0-30)	254	15%
BM - Back - Medium (30-60)	459	28%
BH - Back - High (60-80)	86	5%
BVH - Back - Very High (80-90)	5	0%
<b>Total Back Light</b>	<b>804</b>	<b>48%</b>
UL - Up Light - Low (90-100)	0	0%
UH - Up Light - High (100-180)	1	0%
<b>Total Up Light</b>	<b>1</b>	<b>0%</b>
<b>Total Lumens</b>	<b>1,667</b>	<b>100%</b>



#### NEMA Floodlight Type Data

##### Field Angles:

- Horizontal 147°
- Vertical 133°

##### NEMA Type:

- Horizontal 7H
- Vertical 7V

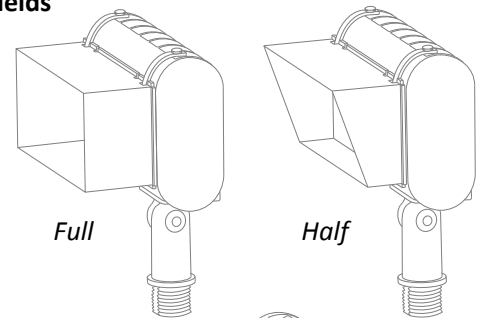
#### Luminaire Orientation:



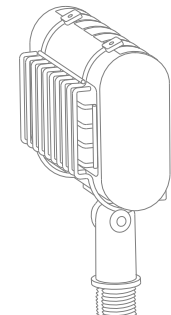
Maximum Candela = 669

- Horizontal
- - - Vertical

#### Shields



#### Wire Guards



# LEDMPAL30 30 Watt Multi-Purpose LED Area Light



Project:	
Type:	
Catalog #:	



Yoke-Mount Option

Knuckle-Mount Option

## STANDARD



The LEDMPAL series is a group of architectural LED area luminaires designed to illuminate parking areas, pathways, building facades, loading docks, and a wide variety of other large, general site lighting applications. Multiple mounting options make the LEDMPAL a versatile luminaire for flood lighting, pole-, ground- and wall-mounted area lighting, and other outdoor lighting requirements.

## FEATURES

- Available in 3000k (warm white), 4000K (neutral white) and 5000K (cool white).\*
- Long-life LEDs provide 69,000 hours of operation with at least 70% of initial lumen output (L<sub>70</sub>).\*\*
- Delivers 3,453 lumens & 115 lumens per watt (LPW) at 3000k; 3,586 lumens and 120 LPW at 4000k; and 3,718 lumens & 124 LPW at 5000k.\*
- Standard optic provides an IES roadway type V distribution, or a 7V (vertical) x 7H (horizontal) NEMA floodlight distribution.
- Universal 120-277 AC voltage (50-60Hz) is standard.
- Power factor > 0.90.
- Total harmonic distortion < 20%.
- Color rendering index > 80.
- Optional full glare shields, half glare shields & wire guards are available.
- Die cast aluminum housing with durable, dark bronze powder coat finish, and a heat-resistant polycarbonate lens.
- Wireway enclosure is sealed with a water-tight, silicon rubber gasket.
- Effective projected areas (EPA's) are:
  - Front = 0.09 square feet
  - Side = 0.07 square feet
  - Face = 0.29 square feet
- Easy installation in new construction or retrofit applications.

\* Contact factory for other color temperatures and lumen packages.  
 \*\* L<sub>70</sub> hours are IES TM-21-11 calculated hours.

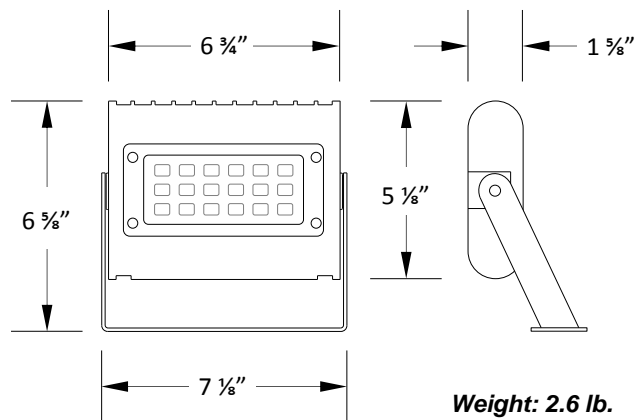
## WARRANTY & LISTINGS

- cULus listed for wet locations (-30°C to 40°C / -22°F to 104°F)
- IP65 rated.
- DLC standard approved.
- Complies with FCC Part 15, Class B.
- Complies with EN61000-4-5, surge immunity (1kV).
- 5-year warranty on all electronics and housing.

## MOUNTING OPTIONS

- Yoke-mount option provides secure attachment to flat surfaces.
- Aluminum die-cast knuckle-mount option is installed on a junction box. Includes ½" NPS stem with locking nut.

## DIMENSIONS



Weight: 2.6 lb.

## ORDERING INFORMATION

Example: LEDMPAL30-Y-3K + MPAL30-FGS

Model	Luminaire Watts	Luminaire Lumens	Lumens / Watt	Mounting Options	Color Temperature	Shields & Wire Guards (See Line Drawings Below)
LEDMPAL30	30	3,453	115	Y = Yoke Mount	3K = 3000k	MPAL30-FGS = Full Glare Shield, 15W
		3,586	120	K = Knuckle Mount	4K = 4000k	MPAL30-HGS = Half Glare Shield, 15W
		3,718	124		5K = 5000k	MPAL30-WG = Wire Guard, 15W

# LEDMPAL30 30 Watt Multi-Purpose LED Area Light



## ELECTRICAL DATA

Model	Color Temperature	CRI <sup>1</sup>	Luminaire Lumens	Luminaire Watts	Lumens Per Watt	Input Voltage <sup>2</sup>	Input Current (A)			Power Factor	THD <sup>3</sup>	L <sub>70</sub> Hours <sup>4</sup>
							120V	240V	277V			
LEDMPAL30-3K	3000k	> 80	3,453	30	115	120-277	0.25	0.13	0.11	> 90%	< 20%	69,000
LEDMPAL30-4K	4000k	> 80	3,586	30	120	120-277	0.25	0.13	0.11	> 90%	< 20%	69,000
LEDMPAL30-5K	5000k	> 80	3,718	30	124	120-277	0.25	0.13	0.11	> 90%	< 20%	69,000

<sup>1</sup> Color rendering index.

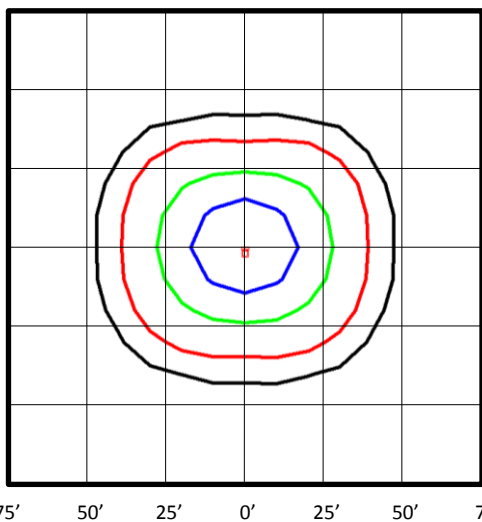
<sup>2</sup> All 50-60Hz.

<sup>3</sup> Total harmonic distortion.

<sup>4</sup> L<sub>70</sub> refers to the number of hours at which lumen output declines to 70% of the initial level. L<sub>70</sub> hours are IES TM-21-11 calculated hours.

## PHOTOMETRIC DATA

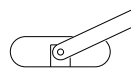
### LEDMPAL15-5K (1,667 Lumens, Type V Distribution)



Foot Candles

- 5.0
- 2.0
- 1.0
- 0.5
- 0.2
- 0.1

Luminaire Orientation:

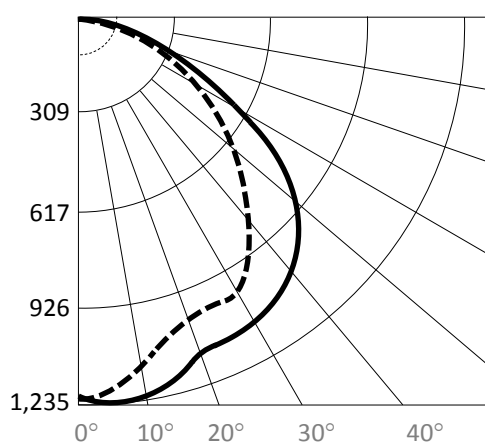


#### Notes:

- Isofootcandle plots depict initial footcandles at grade.
- Gridlines represent units of mounting height of 25 feet.

### BUG Rating: B1-U1-G1

Zone	Lumens	%
FL - Front - Low (0-30)	458	12%
FM - Front - Medium (30-60)	1,025	28%
FH - Front - High (60-80)	326	9%
FVH - Front - Very High (80-90)	34	1%
<b>Total Forward Light</b>	<b>1,843</b>	<b>50%</b>
BL - Back - Low (0-30)	466	13%
BM - Back - Medium (30-60)	1,041	28%
BH - Back - High (60-80)	330	9%
BVH - Back - Very High (80-90)	34	1%
<b>Total Back Light</b>	<b>1,871</b>	<b>50%</b>
UL - Up Light - Low (90-100)	1	0%
UH - Up Light - High (100-180)	4	0%
<b>Total Up Light</b>	<b>4</b>	<b>0%</b>
<b>Total Lumens</b>	<b>3,718</b>	<b>100%</b>



#### NEMA Floodlight Type Data

Field Angles:

- Horizontal 163°
- Vertical 152°

NEMA Type:

- Horizontal 7H
- Vertical 7V

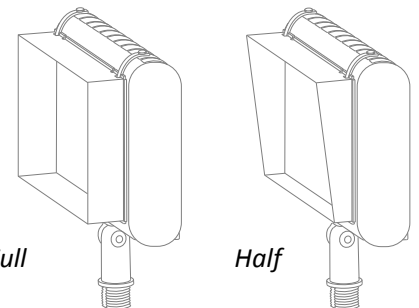
Luminaire Orientation:



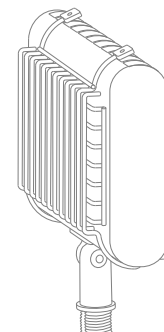
Maximum Candela = 1,235

- Horizontal
- - - Vertical

#### Shields



#### Wire Guards



# LEDMPAL80 80 Watt Multi-Purpose LED Area Light



Project:	
Type:	
Catalog #:	



Shown with standard trunnion mount



Shown with optional yoke mount

## STANDARD



The LEDMPAL series is a group of architectural LED area luminaires designed to illuminate parking areas, pathways, building facades, loading docks, and a wide variety of other large, general site lighting applications. Multiple mounting options make the LEDMPAL a versatile luminaire for flood lighting, pole-, ground- and wall-mounted area lighting, and other outdoor lighting requirements.

## FEATURES

- Available in 3000k (warm white), 4000K (neutral white) and 5000K (cool white).\*
- Long-life LEDs provide 69,000 hours of operation with at least 70% of initial lumen output (L<sub>70</sub>).\*\*
- Standard optic provides an IES roadway type V distribution, or a 7V (vertical) x 7H (horizontal) NEMA floodlight distribution.
- Type III models deliver 9,257 lumens & 116 lumens per watt (LPW) at 3000k; 10,307 lumens & 129 LPW at 4000k; and 10,542 lumens and 132 LPW at 5000k.\*
- Type V models deliver 9,725 lumens & 122 LPW at 3000k; 10,033 lumens & 125 LPW at 4000k; and 10,342 lumens and 129 LPW at 5000k.\*
- Universal 120-277 AC voltage (50-60Hz) is standard.
- Power factor > 0.90.
- Total harmonic distortion < 20%.
- Color rendering index > 80.
- Optional glare shields (full & half) & wire guards are available.
- Die cast aluminum housing with durable, dark bronze powder coat finish, and a heat-resistant polycarbonate lens.
- Wireway enclosure is sealed with a water-tight, silicon rubber gasket.
- Effective projected areas (EPA's) are:
  - Front = 0.38 square feet
  - Side = 0.30 square feet
  - Face = 1.04 square feet
- Threaded receptacle (½" NPS) for photocell. Optional arms and slip-fitters provide additional photocell mounting options.
- Easy installation in new construction or retrofit applications.

\* Contact factory for other color temperatures and lumen packages.

\*\* L<sub>70</sub> hours are IES TM-21-11 calculated hours.

## WARRANTY & LISTINGS

- cULus listed for wet locations (-30°C to 40°C / -22°F to 104°F)
- IP65 rated.
- DLC standard approved
- Complies with FCC Part 15, Class B.
- Complies with EN61000-4-5, surge immunity (2kV).
- 5-year warranty on all electronics and housing.

## MOUNTING OPTIONS

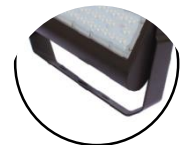
- Trunnion mount is standard.
- Slip-fitter mount provides attachment to poles (2 ⅝" O.D. tenon).
- Steel arm mount provides secure attachment to flat surfaces.
- Yoke mount models are available by special order.



Steel Arm Mount Option

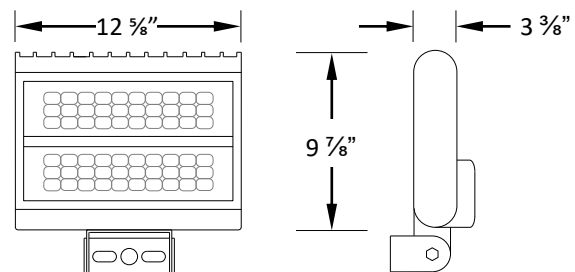


Slip-Fitter Mount Option



Yoke Mount Option

## DIMENSIONS



Weight: 9.6 lb.

## ORDERING INFORMATION

Examples: (Slip-Fitter, Type III): LEDMPAL80-T-4K-T3 + LEDMPAL-SF-80/300  
 (Yoke, Type V): LEDMPAL80-Y-4K (no options available)  
 (Arm, NEMA 7H x 7V) LEDMPAL80-T-4K + LEDMPAL-A-80/300

Model	Mounting Type	Luminaire Watts	Color Temp.	Distribution Type**	Luminaire Lumens	Lumens / Watt	Options* (Order Separately)
LEDMPAL80	T = Trunnion* Y = Yoke	80	3K = 3000k	T3 = Type III	9,257	116	LEDMPAL-SF-80/300 = Slip-Fitter Mount
			4K = 4000k	T3 = Type II	10,307	129	LEDMPAL-A-80/300 = Steel Arm Mount
			5K = 5000k	T3 = Type III	10,542	132	MPAL80/100/150-FGS = Full Glare Shield
			3K = 3000k	Type V	9,725	122	MPAL80/100/150-HGS = Half Glare Shield
			4K = 4000k	Type V	10,033	125	MPAL80/100/150-WG = Wire Guard
			5K = 5000k	Type V	10,342	129	

\* Note: For Slip-Fitter or Steel Arm mounting, order a luminaire with the standard Trunnion mount installed (LEDMPAL80-T), and either the Slip-Fitter (LEDMPAL-SF-80/300) or Steel Arm (LEDMPAL-A-80/300). The Slip-Fitter and Steel Arm mounts are shipped in separate cartons than the luminaire, and are field-installed after removing the standard Trunnion mount.

\*\* Note: Type V distribution is standard, and requires no order suffix (see example above). For NEMA flood 7H x 7V distributions, order the Type V option.

# LEDMPAL80 80 Watt Multi-Purpose LED Area Light



## ELECTRICAL DATA

Model	Color Temperature	CRI <sup>1</sup>	Luminaire Lumens	Luminaire Watts	Lumens Per Watt	Input Voltage <sup>2</sup>	Input Current (A)			Power Factor	THD <sup>3</sup>	L <sub>70</sub> Hours <sup>4</sup>
							120V	240V	277V			
LEDMPAL80-3K-T3	3000k	> 80	9,257	80	116	120-277	0.67	0.33	0.29	> 90%	< 20%	69,000
LEDMPAL80-4K-T3	4000k	> 80	10,307	80	129	120-277	0.67	0.33	0.29	> 90%	< 20%	69,000
LEDMPAL80-5K-T3	5000k	> 80	10,542	80	132	120-277	0.67	0.33	0.29	> 90%	< 20%	69,000
LEDMPAL80-3K	3000k	> 80	9,725	80	122	120-277	0.67	0.33	0.29	> 90%	< 20%	69,000
LEDMPAL80-4K	4000k	> 80	10,033	80	125	120-277	0.67	0.33	0.29	> 90%	< 20%	69,000
LEDMPAL80-5K	5000k	> 80	10,342	80	129	120-277	0.67	0.33	0.29	> 90%	< 20%	69,000

<sup>1</sup> Color rendering index.

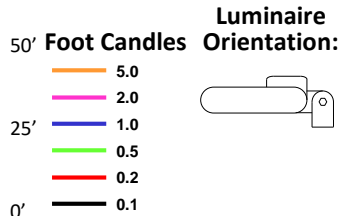
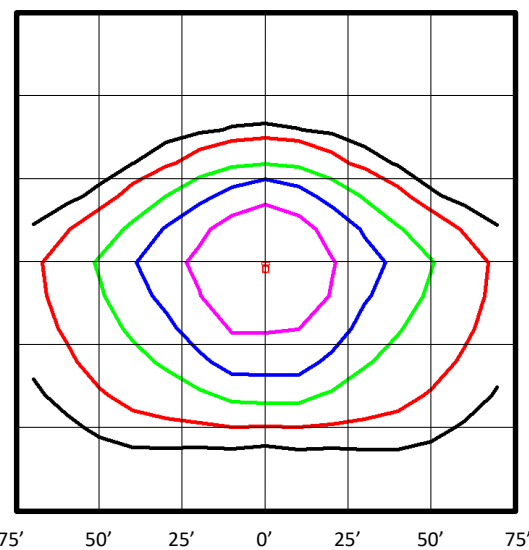
<sup>2</sup> All 50-60Hz.

<sup>3</sup> Total harmonic distortion.

<sup>4</sup> L<sub>70</sub> refers to the number of hours at which lumen output declines to 70% of the initial level. L<sub>70</sub> hours are IES TM-21-11 calculated hours.

## PHOTOMETRIC DATA

### LEDMPAL80-5K (10,542 Lumens, Type III [T3] Distribution)



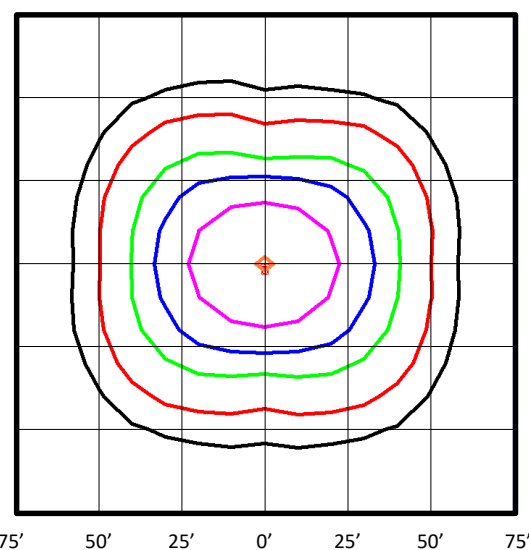
**Notes:**

- Isofootcandle plots depict initial footcandles at grade.
- Gridlines represent units of mounting height of 25 feet.

### BUG Rating: B3-U2-G2

Zone	Lumens	%
FL - Front - Low (0-30)	1,303	12%
FM - Front - Medium (30-60)	3,686	35%
FH - Front - High (60-80)	1,585	15%
FVH - Front - Very High (80-90)	81	1%
<b>Total Forward Light</b>	<b>6,655</b>	<b>63%</b>
BL - Back - Low (0-30)	1,255	12%
BM - Back - Medium (30-60)	2,125	20%
BH - Back - High (60-80)	464	4%
BVH - Back - Very High (80-90)	22	0%
<b>Total Back Light</b>	<b>3,866</b>	<b>37%</b>
UL - Up Light - Low (90-100)	1	0%
UH - Up Light - High (100-180)	21	0%
<b>Total Up Light</b>	<b>22</b>	<b>0%</b>
<b>Total Lumens</b>	<b>10,542</b>	<b>100%</b>

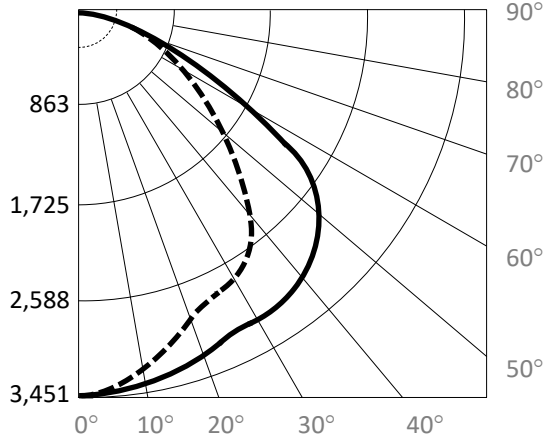
### LEDMPAL80-5K (10,342 Lumens, Type V Distribution)



### BUG Rating: B3-U2-G2

Zone	Lumens	%
FL - Front - Low (0-30)	1,269	12%
FM - Front - Medium (30-60)	2,860	28%
FH - Front - High (60-80)	947	9%
FVH - Front - Very High (80-90)	117	1%
<b>Total Forward Light</b>	<b>5,193</b>	<b>50%</b>
BL - Back - Low (0-30)	1,273	12%
BM - Back - Medium (30-60)	2,810	27%
BH - Back - High (60-80)	931	9%
BVH - Back - Very High (80-90)	112	1%
<b>Total Back Light</b>	<b>5,126</b>	<b>50%</b>
UL - Up Light - Low (90-100)	1	0%
UH - Up Light - High (100-180)	22	0%
<b>Total Up Light</b>	<b>23</b>	<b>0%</b>
<b>Total Lumens</b>	<b>10,342</b>	<b>100%</b>

# LEDMPAL80 80 Watt Multi-Purpose LED Area Light



Maximum Candela = 3,451

— Horizontal  
- - - Vertical

## NEMA Floodlight Type Data

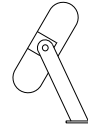
### Field Angles:

- Horizontal 171°
- Vertical 162°

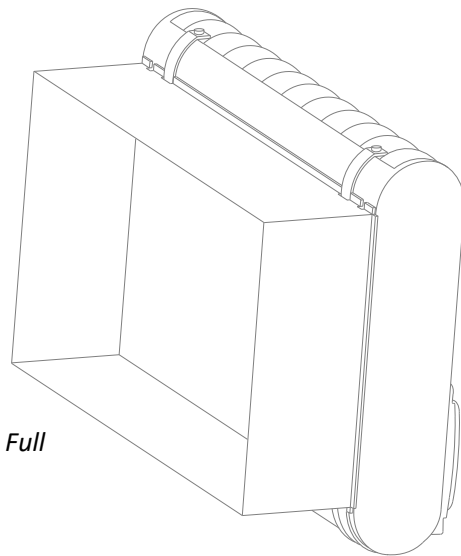
### NEMA Type:

- Horizontal 7H
- Vertical 7V

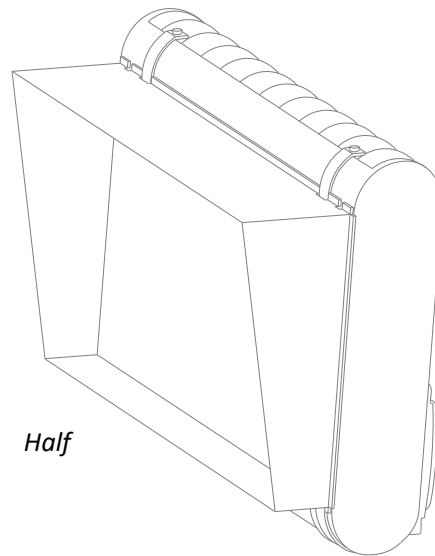
## Luminaire Orientation:



## Shields

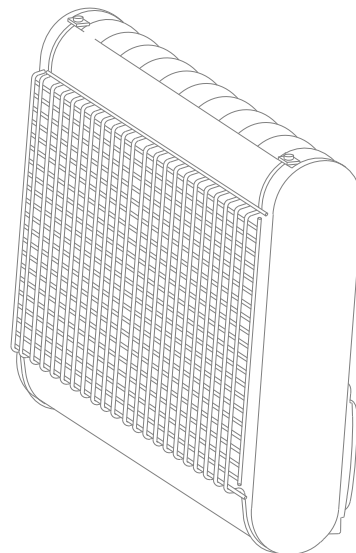


Full



Half

## Wire Guards



# LEDMPAL220 220 Watt Multi-Purpose LED Area Light



Project:	
Type:	
Catalog #:	

## STANDARD



The LEDMPAL series is a group of architectural LED area luminaires designed to illuminate parking areas, pathways, building facades, loading docks, and a variety of other general site lighting applications. Multiple mounting options make the LEDMPAL a versatile luminaire for flood lighting, pole-, ground- and wall-mounted area lighting, and other outdoor lighting requirements.



## FEATURES

- 120-277V models available in 3000k (warm white), 4000K (neutral white) and 5000K (cool white). 277-480V models available in 4000K and 5000k.
- Long-life LEDs provide a minimum of 58,000 hours of operation with at least 70% of initial lumen output (L<sub>70</sub>).
- Standard optic provides an IES roadway type V distribution, or a 7V (vertical) x 7H (horizontal) NEMA floodlight distribution.
- Type III models (120-277V) deliver 24,235 lumens and 110 lumens per watt (LPW) at 3000k; and 27,536 lumens and 125 LPW at both 4000k and 5000k.
- Type III models (277-480V) deliver 26,108 lumens and 119 LPW 4000k; and 25,380 lumens and 115 LPW at 5000k.
- Type V models deliver (120-277V) 21,495 lumens and 98 LPW at 3000k; 26,219 lumens and 119 LPW at 4000k; and 26,731 lumens and 122 LPW at 5000k.
- Type V models (277-480V) deliver 27,582 lumens and 125 LPW at 4000k; and 27,943 lumens and 127 LPW at 5000k.
- Universal 120-277 or 277-480 AC voltage (50-60Hz) is standard.
- 0-10vdc dimming capability is standard.
- Power factor > 0.90.
- Total harmonic distortion < 20%.
- Color rendering index > 80.
- Optional glare shields (full and half) and wire guards are available.
- Die cast aluminum housing with durable, dark bronze powder coat finish, and a heat-resistant polycarbonate lens.
- Wireway enclosure is sealed with a water-tight, silicon rubber gasket.
- Effective projected areas (EPA's) are 0.37 square feet (sf, front); 0.51 sf (side) and 1.74 sf (front).
- Threaded receptacle (1/2" NPS) for photocell. Optional arms and slip-fitters provide additional photocell mounting options.
- Easy installation in new construction or retrofit applications.

\* Contact factory for other color temperatures and lumen packages.  
 \*\* L<sub>70</sub> hours are IES TM-21-11 calculated hours.

## WARRANTY & LISTINGS

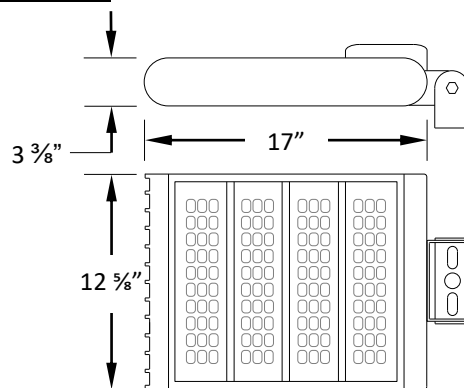
- cULus listed for wet locations (-30°C to 40°C / -22°F to 104°F).
- IP65 rated.
- DLC standard approved.
- Complies with FCC Part 15, Class B.
- Complies with EN61000-4-5, surge immunity (2kV).
- 5-year warranty on all electronics and housing.

## MOUNTING OPTIONS

- Trunnion mount is standard.
- Slip-fitter mount provides attachment to poles (2 3/8" O.D. tenon).
- Steel arm mount provides secure attachment to flat surfaces.
- Yoke mount models are available by special order.



## DIMENSIONS



Weight: 17.3 lb.

## ORDERING INFORMATION

Examples: (Slip-Fitter, Type III): LEDMPAL220-T-4K-T3 + LEDMPAL-SF-80/300  
 (Yoke, Type V): LEDMPAL220-Y-4K (no options available)  
 (Arm, NEMA 7H x 7V) LEDMPAL220-T-4K + LEDMPAL-A-80/300

Model	Mounting Type	Luminaire Watts	Input Voltage	Color Temperature	Distribution Type <sup>2</sup>	Luminaire Lumens	Lumens / Watt	Options* (Order Separately)
LEDMPAL220	T = Trunnion <sup>1</sup> Y = Yoke	220	120-277	3K = 3000k	T3 = Type III	24,235	110	LEDMPAL-SF-80/300 = Slip-Fitter Mount LEDMPAL-A-80/300 = Steel Arm Mount MPAL80/100/150-FGS = Full Glare Shield MPAL80/100/150-HGS = Half Glare Shield MPAL80/100/150-WG = Wire Guard
				4K = 4000k	T3 = Type III	27,536	125	
				5K = 5000k	T3 = Type III	27,536	125	
			120-277	3K = 3000k	Type V	21,495	98	
				4K = 4000k	Type V	26,219	119	
				5K = 5000k	Type V	26,731	122	
			277-480	4K = 4000k	T3 = Type III	26,108	119	
				5K = 5000k	T3 = Type III	25,380	115	
				4K = 4000k	Type V	27,582	125	
			277-480	5K = 5000k	Type V	27,943	127	

<sup>1</sup> Note: For Slip-Fitter or Steel Arm mounting, order a luminaire with the standard Trunnion mount installed (LEDMPAL220-T), and either the Slip-Fitter (LEDMPAL-SF-80/300) or Steel Arm (LEDMPAL-A-80/300). The Slip-Fitter and Steel Arm mounts are shipped in separate cartons than the luminaire, and are field-installed after removing the standard Trunnion mount.

<sup>2</sup> Note: Type V distribution is standard, and requires no order suffix (see example above). For NEMA flood 7H x 7V distributions, order the Type V option.



# LEDMPAL220 220 Watt Multi-Purpose LED Area Light



## ELECTRICAL DATA

Model	Color Temperature	CRI <sup>1</sup>	Luminaire Lumens	Luminaire Watts	Lumens Per Watt	Input Voltage <sup>2</sup>	Input Current (A)			Power Factor	THD <sup>3</sup>	L <sub>70</sub> Hours <sup>4</sup>
							120V	240V	277V			
LEDMPAL220-3K-T3	3000k	> 80	24,235	220	110	120-277	1.83	0.92	0.79	> 90%	< 20%	69,000
LEDMPAL220-4K-T3	4000k	> 80	27,536	220	125	120-277	1.83	0.92	0.79	> 90%	< 20%	69,000
LEDMPAL220-5K-T3	5000k	> 80	27,536	220	125	120-277	1.83	0.92	0.79	> 90%	< 20%	69,000
LEDMPAL220-3K	3000k	> 80	21,495	220	98	120-277	1.83	0.92	0.79	> 90%	< 20%	69,000
LEDMPAL220-4K	4000k	> 80	26,219	220	119	120-277	1.83	0.92	0.79	> 90%	< 20%	69,000
LEDMPAL220-5K	5000k	> 80	26,731	220	122	120-277	1.83	0.92	0.79	> 90%	< 20%	69,000

Model	Color Temperature	CRI <sup>1</sup>	Luminaire Lumens	Luminaire Watts	Lumens Per Watt	Input Voltage <sup>2</sup>	Input Current (A)			Power Factor	THD <sup>3</sup>	L <sub>70</sub> Hours <sup>4</sup>
							277V	347V	480V			
LEDMPAL220-T-4K-T3-480V	4000k	> 80	26,108	220	119	277-480	0.79	0.63	0.46	> 90%	< 20%	58,000
LEDMPAL220-T-5K-T3-480V	5000k	> 80	25,380	220	115	277-480	0.79	0.63	0.46	> 90%	< 20%	58,000
LEDMPAL220-T-4K-480V	4000k	> 80	27,582	220	125	277-480	0.79	0.63	0.46	> 90%	< 20%	62,000
LEDMPAL220-T-5K-480V	5000k	> 80	27,943	220	127	277-480	0.79	0.63	0.46	> 90%	< 20%	62,000

<sup>1</sup> Color rendering index.

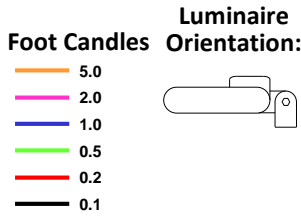
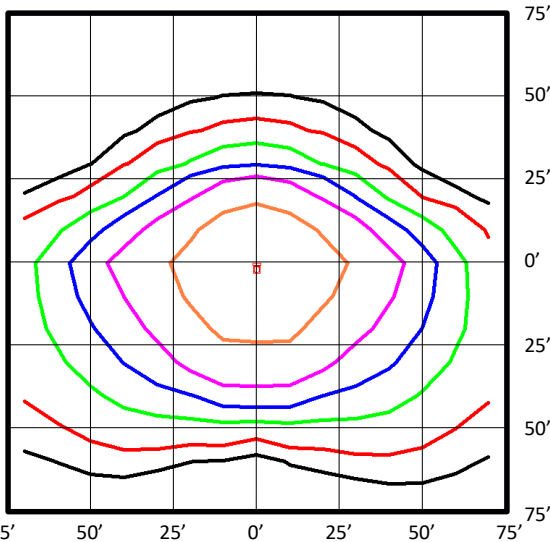
<sup>2</sup> All 50-60Hz.

<sup>3</sup> Total harmonic distortion.

<sup>4</sup> L<sub>70</sub> refers to the number of hours at which lumen output declines to 70% of the initial level. L<sub>70</sub> hours are IES TM-21-11 calculated hours.

## PHOTOMETRIC DATA

### LEDMPAL220-5K (27,536 Lumens, Type III [T3] Distribution)

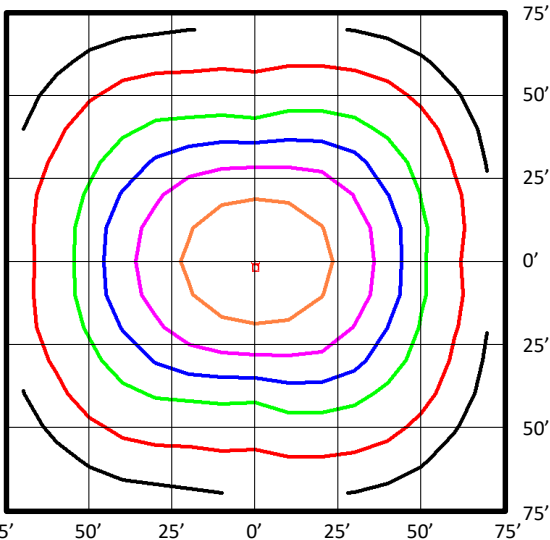


- Notes:**
- Isofootcandle plots depict initial footcandles at grade.
  - Gridlines represent units of mounting height of 25 feet.

### BUG Rating: B4-U3-G2

Zone	Lumens	%
FL - Front - Low (0-30)	3,351	12%
FM - Front - Medium (30-60)	9,571	35%
FH - Front - High (60-80)	4,072	15%
FVH - Front - Very High (80-90)	218	1%
<b>Total Forward Light</b>	<b>17,212</b>	<b>63%</b>
BL - Back - Low (0-30)	3,186	12%
BM - Back - Medium (30-60)	5,743	21%
BH - Back - High (60-80)	1,263	5%
BVH - Back - Very High (80-90)	63	0%
<b>Total Back Light</b>	<b>10,256</b>	<b>37%</b>
UL - Up Light - Low (90-100)	4	0%
UH - Up Light - High (100-180)	65	0%
<b>Total Up Light</b>	<b>68</b>	<b>0%</b>
<b>Total Lumens</b>	<b>27,536</b>	<b>100%</b>

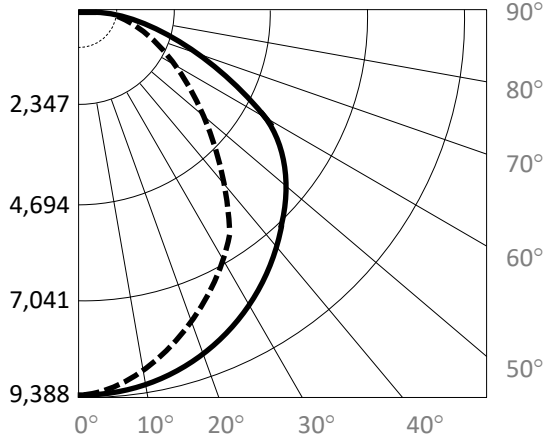
### LEDMPAL220-5K (26,731 Lumens, Type V Distribution)



### BUG Rating: B4-U3-G3

Zone	Lumens	%
FL - Front - Low (0-30)	3,443	13%
FM - Front - Medium (30-60)	7,129	27%
FH - Front - High (60-80)	2,667	10%
FVH - Front - Very High (80-90)	284	1%
<b>Total Forward Light</b>	<b>13,523</b>	<b>51%</b>
BL - Back - Low (0-30)	3,360	13%
BM - Back - Medium (30-60)	7,019	26%
BH - Back - High (60-80)	2,484	9%
BVH - Back - Very High (80-90)	271	1%
<b>Total Back Light</b>	<b>13,135</b>	<b>49%</b>
UL - Up Light - Low (90-100)	5	0%
UH - Up Light - High (100-180)	69	0%
<b>Total Up Light</b>	<b>73</b>	<b>0%</b>
<b>Total Lumens</b>	<b>26,731</b>	<b>100%</b>

# LEDMPAL220 220 Watt Multi-Purpose LED Area Light



Maximum Candela = 9,388

— Horizontal  
- - - Vertical

## NEMA Floodlight Type Data

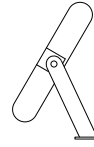
### Field Angles:

- Horizontal 159°
- Vertical 163°

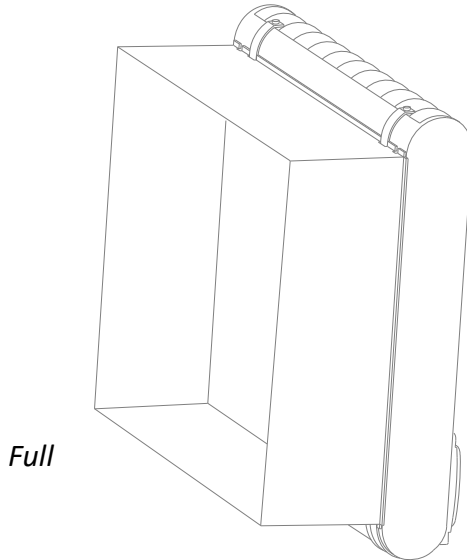
### NEMA Type:

- Horizontal 7H
- Vertical 7V

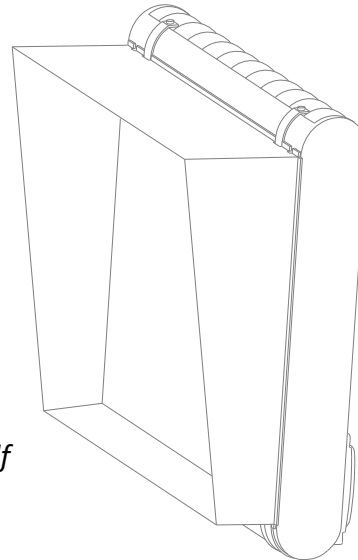
## Luminaire Orientation:



## Shields



Full



Half

## Wire Guards

