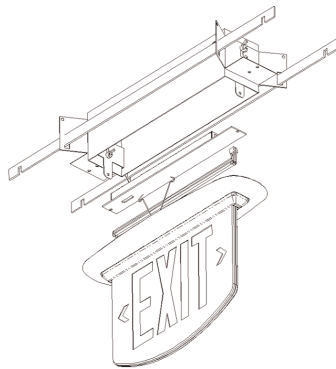
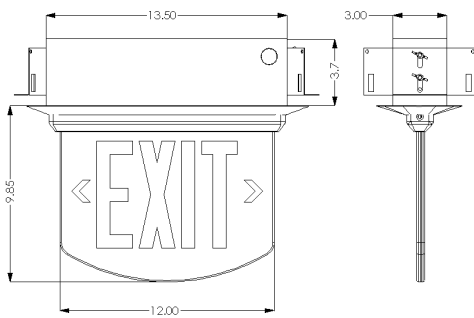




LS-CM

DIMENSIONS



TYPE \_\_\_\_\_

CATALOG# \_\_\_\_\_

LS-CM (CEILING MOUNT)  
Die Cast Light Style™  
Cold Cathode Edge Lit  
Recessed Ceiling Mount

GENERAL DESCRIPTION

A brilliant combination of superior performance and aesthetics, the LSCM Cold Cathode (Fluorescent Lamps) Edge lit Exit sign provides a solution for the medium to upscale application. Uniquely crafted from Die Cast, the LS-CM collection is flexible enough to meet all of your stringent mounting requirements with all of the options necessary to facilitate life safety in the event of power loss.

HOUSING

Rigid galvanized steel back box recesses into any ceiling or wall application, complete with all necessary mounting hardware. The trim plate is machined and hand crafted from a solid Aluminum casting. Brushed Aluminum is standard.

PANEL FACE

Injection Molded Acrylic uniquely contoured with diamond cut beveled edges offers your choice of frequency matched silkscreened 6" lettering and chevrons. Custom signage is also available. (Consult Factory).

ILLUMINATION

Bright White (full Color Spectrum) even illumination enhances the beauty of the design via low-maintenance, long-life cold cathode lamping with an estimated life expectancy of 7 plus years.

ELECTRONICS

AC only and emergency operation options available. Provides 90 minutes of illumination upon loss of power. Emergency operation units provided with solid-state design with low voltage disconnect, AC lock-out, brown out protection, and AC indicator test switch. Battery is sealed maintenance free Nickel Cadmium with an estimated service life of 7 years. Circuitry is constant current design and recharge time is less than the required UL 924 standard. All units draw less than 7 watts.

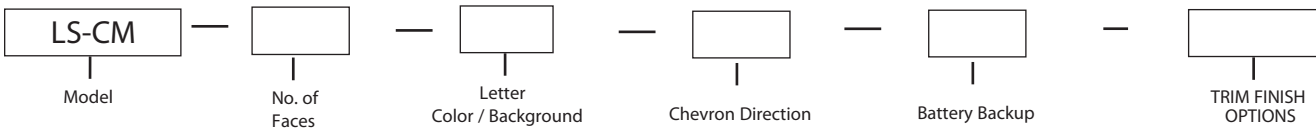
CODE COMPLIANCE

Tested and listed to UL 924. Meets or exceeds NAPA NEC and OSHA illumination standards.

WARRANTY

5 years on housing and electronics with a 7 year pro-rated warranty on the battery.

DIE CAST LIGHT STYLE™ SERIES



1=Single  
2=Double

RC=Red on Clear\*  
RW=Red on White  
RB=Red on black  
RM=Red w/Mirrored  
GC=Green on Clear\*  
GW=Green on White  
GM=Green w/ Mirrored  
GB=Green on Black  
  
\* Single-sided Only

NC No Chevron  
AR Right  
AL Left  
AD Double

AC AC Only  
EM Emergency

BA Brushed Aluminum (Standard)  
WH Powder-coated White  
BK Powder-coated Black

