

Job/Location: _____	Job Type: _____
Contractor: _____	Date: _____
Prepared By: _____	

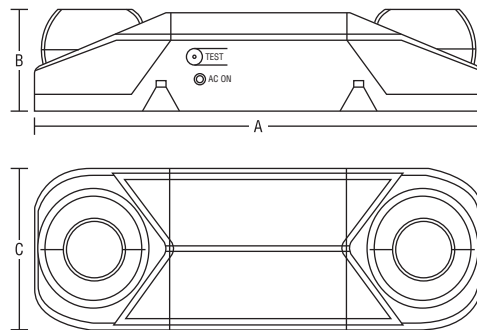


**■ specifications: internal**

The XMR is configured with a 120/277VAC input. Standard features include solid-state charging circuitry, low voltage disconnect, AC lockout and brownout protection. Maintenance free 6V 4.5Ah sealed lead calcium battery. Meets UL924, NFPA 101 Life Safety Code, NEC, OSHA, Local and State Codes. UL listed for damp locations. (20°C – 40°C).

**■ specifications: external**

The XMR is constructed from high quality 5VA flame & corrosion resistant, high-impact thermoplastic. White finish is standard (black color optional). The universal mounting bracket is easily snapped onto the XMR housing. External test switch and monitor LED are standard. The gimbal style head assemblies allow precise positioning.



Series	A	B	C
XMR	13.7"	3.1"	5"
	348mm	79mm	127mm

**■ ordering logic**

Series	Model	Options
XMR	S1 (6V 14W)	B (black finish)

EXAMPLE: XMR-S1-B  
DESCRIPTION: 6V 14W, black housing

## ■ emergency heads

Two 7W MR16 lamps offer great performance. The XMR-S1 comes standard with two (2) semi-recessed, front mounted 7W MR16 lamps. The gimbal style head assemblies allow precise positioning.

## ■ specifications: electrical

**BATTERY:** The XMR is configured standard with a single 6V 4.5Ah maintenance free, sealed lead calcium battery. 90 minutes emergency duration minimum. 24 hour charge time.

**CIRCUIT:** The XMR features 120/277VAC input with current limit protection. External test switch and monitor LED are standard.

## ■ specifications: mechanical

The XMR features a gimbal design allowing precise adjustment of the lamps. A quick connect bracket system and white injection molded thermoplastic housing make it durable and easy to install (optional black).

## ■ warranty

The XMR-S1 comes with a 3-year factory warranty. Lamps are not covered under the warranty. Deliberate damage, misuse, improper installation effectively cancel the warranty.

Job/Location: _____	Job Type: _____
Contractor: _____	Date: _____
Prepared By: _____	

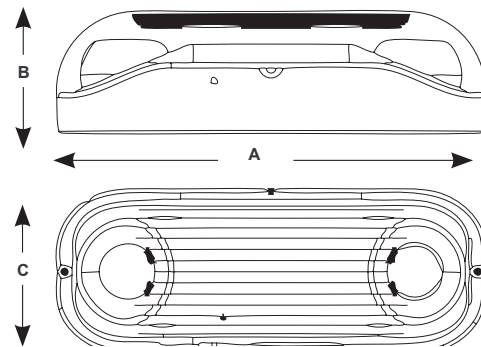


### ■ specifications: internal

The XMR-WL is configured with a 120/277VAC input. Standard features include solid-state charging circuitry, low voltage disconnect, AC lockout and brownout protection. Maintenance free 6V 4.5Ah sealed lead calcium battery. Meets UL924, NFPA 101 Life Safety Code, NEC, OSHA, Local and State Codes. UL listed for wet locations. (20°C – 40°C).

### ■ specifications: external

The XMR-WL is constructed from high quality 5VA flame & corrosion resistant, high-impact thermoplastic. White finish is standard (black color optional). The universal mounting bracket is easily snapped onto the XMR-WL housing. External test switch and monitor LED are standard. The gimbal style head assemblies allow precise positioning.



Series	A	B	C
XMR	14 <sup>13/16</sup> " 376mm	4 <sup>1/4</sup> " 108mm	5 <sup>5/8</sup> " 143mm

### ■ ordering logic

Series	Model	Options
XMR	S1WL (6V 14.4W)	B (black finish) IH (internal heater)

EXAMPLE: XMR-S1WL  
DESCRIPTION: XMR wet location 6V 14.4W, grey housing

## ■ emergency heads

The XMR-WL comes with two fully adjustable, ultra-bright, round, 7.2W MR-16 halogen lamp heads with a fully gasketed enclosure and clear polycarbonate lens cover. The gimbal style head assemblies allow precise positioning.

## ■ specifications: electrical

**BATTERY:** The XMR-WL is configured standard with a single 6V 4.5Ah maintenance free, sealed lead calcium battery. 90 minutes emergency duration minimum. 24 hour charge time. The maximum battery operating temperature is +40°C and the minimum is +20°C without internal heater option, with the internal heater the minimum operating temperature is -10°C.

**CIRCUIT:** The XMR-WL features 120/277VAC input with current limit protection. External test switch and monitor LED are standard.

## ■ specifications: mechanical

The XMR-WL features a gimbal design allowing precise adjustment of the lamps. A quick connect bracket system and white injection molded thermoplastic housing make it durable and easy to install (optional black).

## ■ warranty

The XMR-WL comes with a 3-year factory warranty. Lamps are not covered under the warranty. Deliberate damage, misuse, improper installation effectively cancel the warranty.